

GENERIC DRAWING

OPTIONS

- STAINLESS STEEL PANEL, FOAMED & CAPPED
STAINLESS TYPE FOR PANEL, SHROUD, SIDE FRAMES, WINDOW, AND KICKPLATES
 - 304 #4 STAINLESS 316L STAINLESS
- YES NO WINDOW (_____ X _____)
WITH STAINLESS STEEL FRAME AND CLEAR TEMPERED GLASS
- YES NO WINDOW (_____) FLUSH CLEAR TEMPERED GLASS
- YES NO EXTERIOR KICKPLATE (HEIGHT = ??")
- YES NO INTERIOR KICKPLATE (HEIGHT = ??")
- SLOPED S/S SHROUD
 - YES NO CANEBOLT LOCK W/O INTERIOR THUMBTURN [**]
 - YES NO CANEBOLT LOCK W/ INTERIOR THUMBTURN [**]
 - YES NO ELECTRONIC PIN-BOLT LOCK (FAIL NON SECURE)

SPECIAL NOTES

* TAG DOOR AS:

***** ADVISE *****

CLEANSEAL®
Controlled Environment Door Systems

ASI Doors, Inc.
5848 North 95th Court
Milwaukee, WI 53225
1-800-558-7068
www.asidoors.com

TITLE EXCEL 1270SS BI-PARTING MANUAL DOOR
STAINLESS PANEL W/CAPPING

DRAWN BY	DATE	SHEET 1 OF	DRAWING NO. XL_1270SS	REV.
----------	------	---------------	--------------------------	------

APPROVALS

FABRICATION CAN PROCEED ACCORDING TO THE SPECIFICATION SHOWN EXCEPT AS NOTED.

BY _____ DATE _____

ASI JOB NUMBER:
CUSTOMER ORDER NUMBER:
SOLD TO:
SHIP TO:

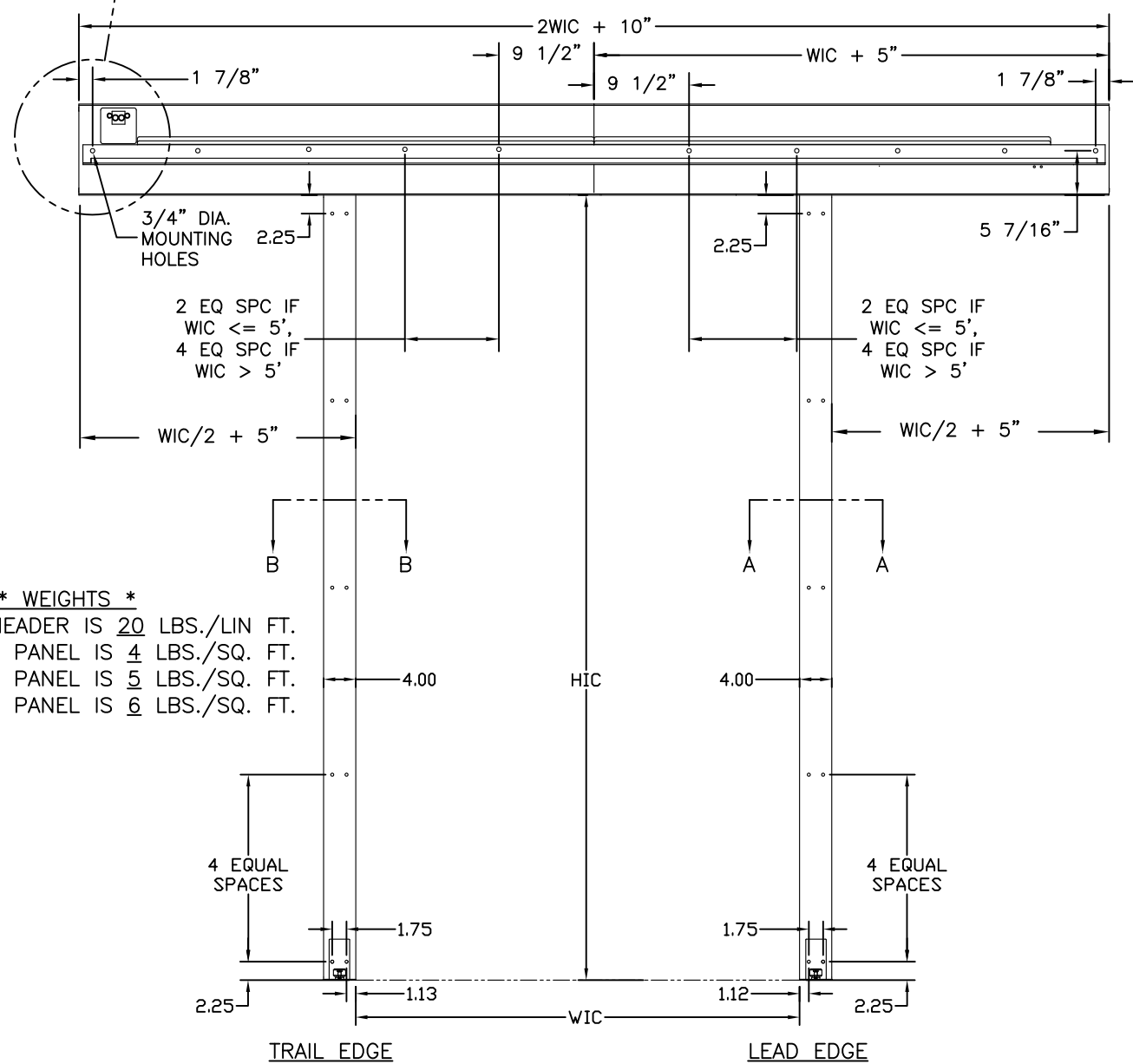
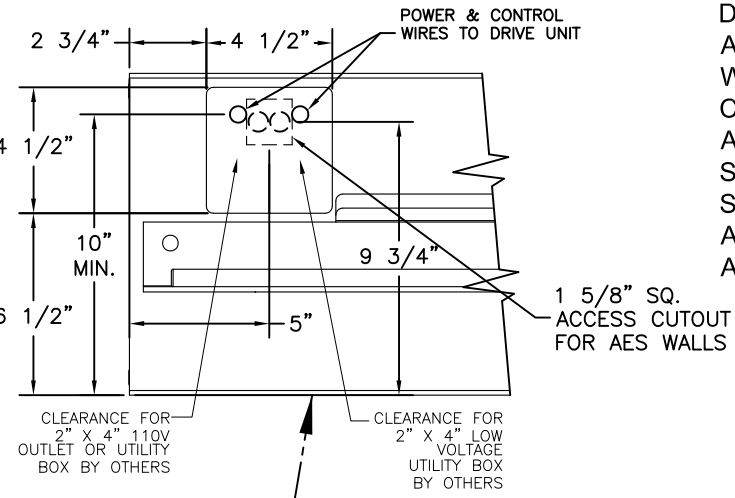
QUANTITY OF DOORS:
QUANTITY OF PRINTS: 1
DOOR ASSEMBLY NO: 91B0024
ELECTRICAL DRAWING NO:

**ELECTRICAL CUTOUT DETAIL
(1260 POWER ONLY)**

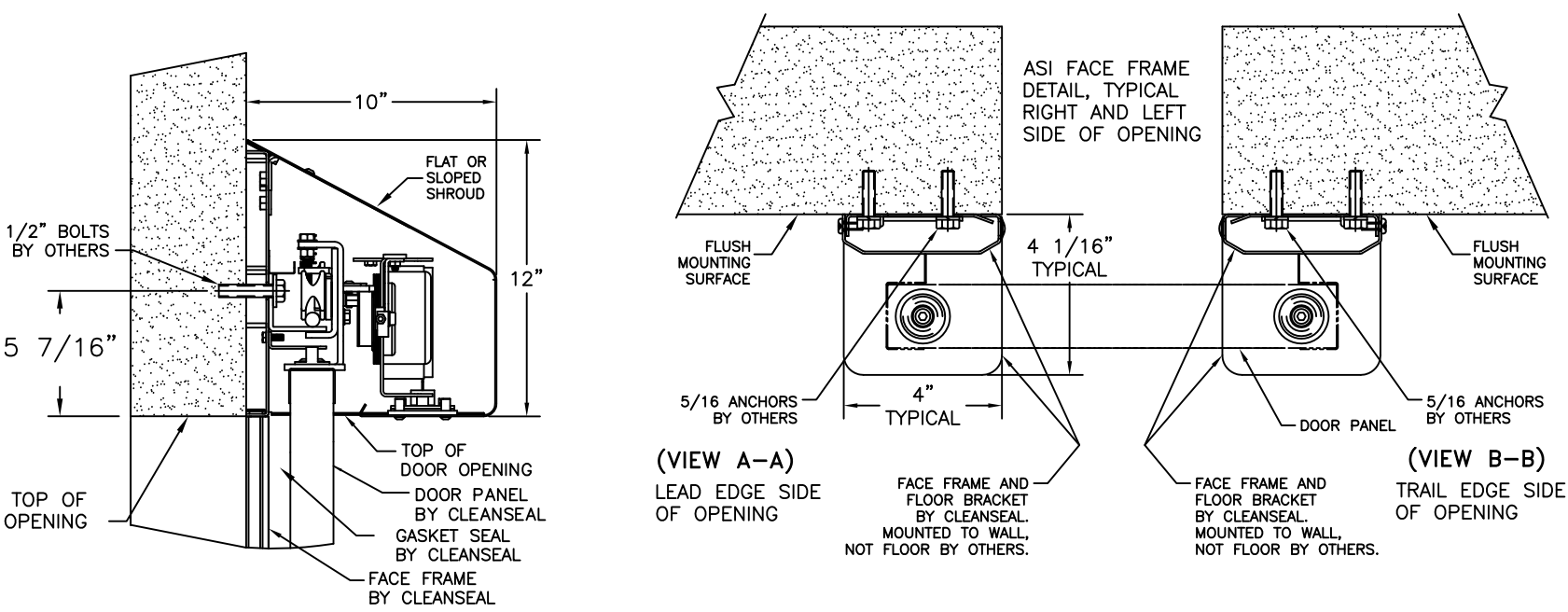
NOTICE:

DUE TO A VARIETY OF WALL SURFACES, STUD MATERIALS AND CONSTRUCTION, AND VARIOUS CONCRETE/BLOCK WALL AND FLOOR DESIGNS, ANY MOUNTING AND SUPPORT COMPONENTS REPRESENTED HERE BY CLEANSEAL® ARE FOR REVIEW PURPOSES ONLY. ANY AND ALL STRUCTURAL COMPONENT DESIGN, SELECTION AND SPECIFICATION IS THE SOLE RESPONSIBILITY OF ARCHITECTURAL/STRUCTURAL ENGINEERING FIRMS APPROVED BY THE END USER.

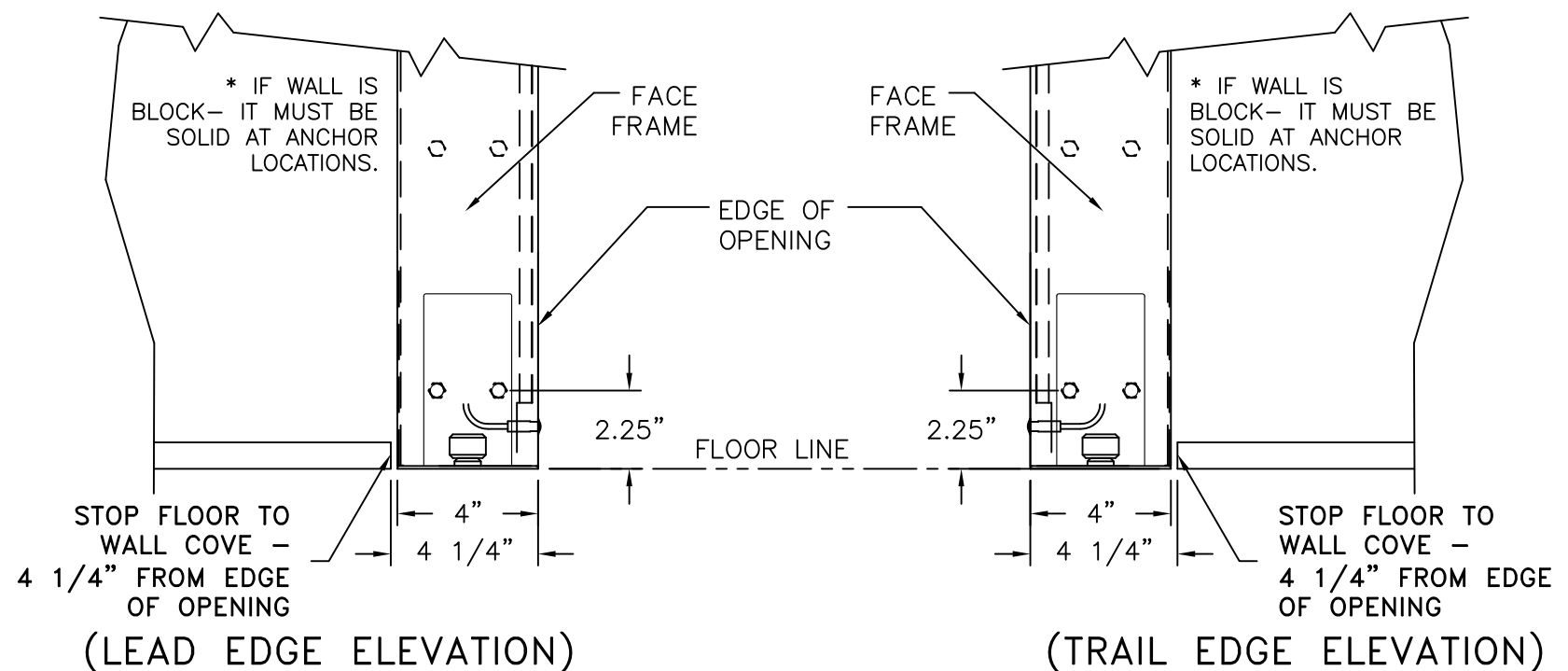
NOTE: IF USING JUNCTION BOX TO BRING POWER TO OPERATOR USING SUPPLIED HEADER CUTOUT, BOX MUST BE FLUSH WITH WALL AND WIRING MUST NOT INTERFERE WITH DOOR MOTION. SEE 10" DIMENSION IN ELECTRICAL CUTOUT DETAIL (1260 POWER ONLY).



*** WEIGHTS ***
 RAIL & HEADER IS 20 LBS./LIN FT.
 LAMINATED PANEL IS 4 LBS./SQ. FT.
 FRP MOLDED PANEL IS 5 LBS./SQ. FT.
 STAINLESS PANEL IS 6 LBS./SQ. FT.

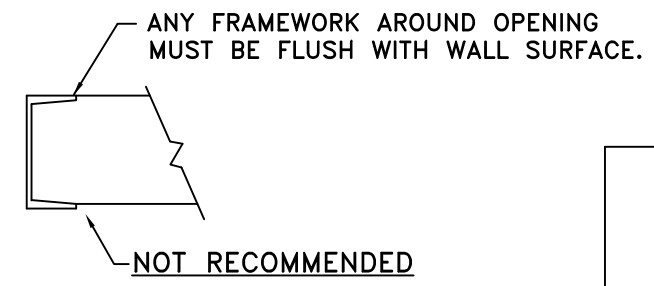


HEADER & SHROUD ASSEMBLY (SIDE VIEW)



(LEAD EDGE ELEVATION)

(TRAIL EDGE ELEVATION)



CLEANSEAL®
 Controlled Environment Door Systems

ASI Technologies, Inc.
 5848 North 95th Court
 Milwaukee, WI 53225
 1-800-558-7068
 www.asidoors.com

FABRICATION CAN PROCEED ACCORDING TO SPECIFICATIONS EXCEPT AS NOTED.

CUSTOMER ORDER NO. _____ ASI JOB NO. _____
 CUSTOMER APPROVAL : _____
 APPROVED BY: _____ DATE: _____

NO. OF DOORS 1 DOOR#(S) 1
 SHEET 1 OF 1 NO. OF REQUESTED COPIES _____
 SHIP TO: _____
 SOLD TO: _____

TITLE: 1260 & 1270 MOUNTING & INSTALLATION DETAILS BI-PART, MANUAL & POWER			
DOOR ASSEMBLY NO.	WIRING DIAGRAM NO.	DATE:	DRAWING NO.
		REVISION DATE: 10/29/13	1260/1270 BP MTG