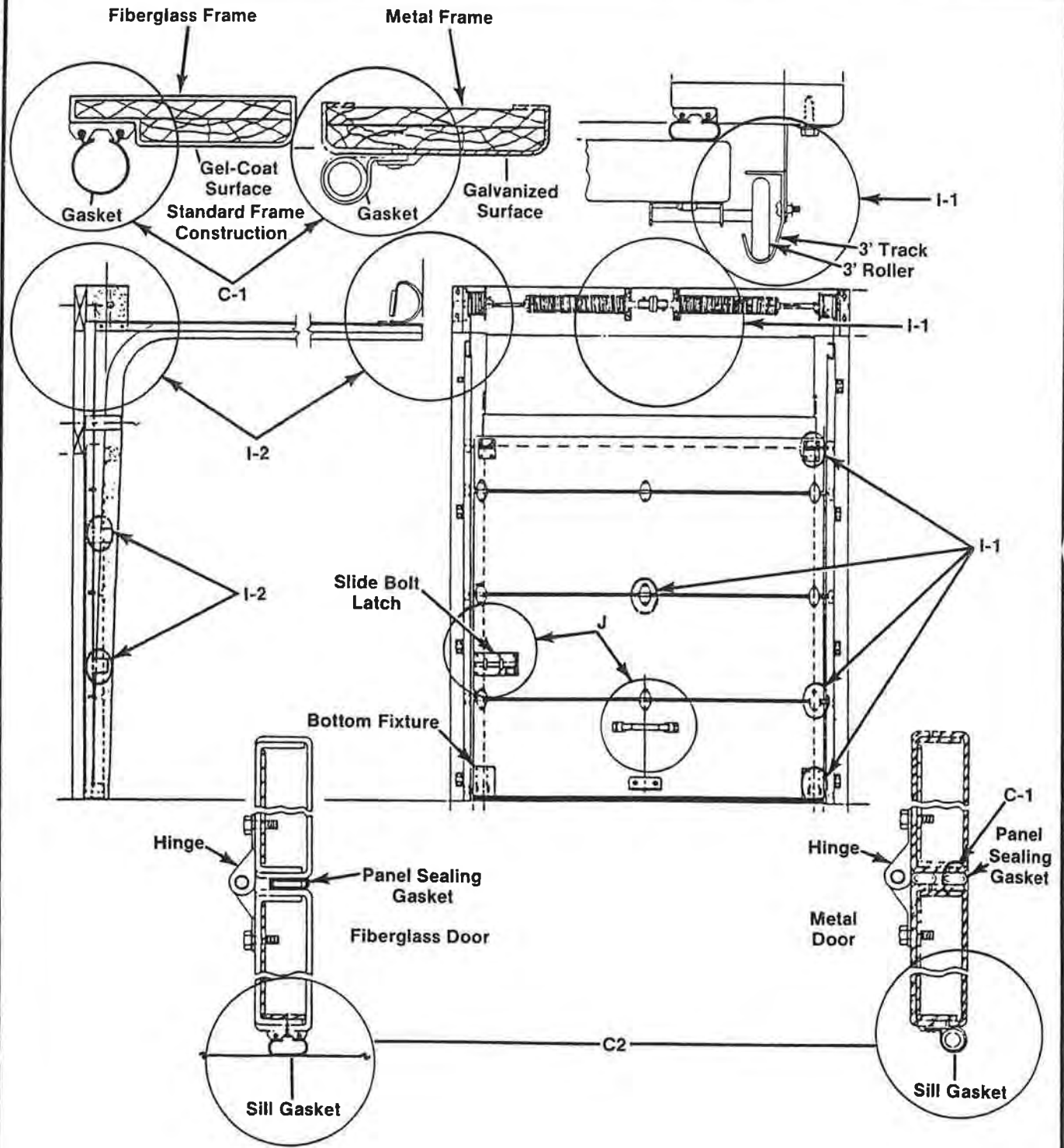


SECTIONAL DOOR QUICK REFERENCE INFORMATION

A

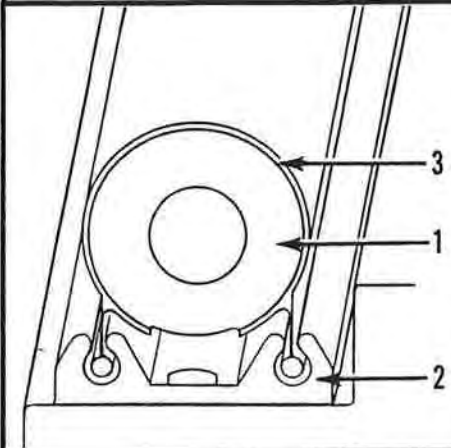


- Section C-1 Door, frame and header board gaskets
- Section C-2 Bottom door gaskets
- Section I Sectional door hardware
- Section I-2 Track hardware
- Section J Misc door hardware

SECTION 4 - REPLACEMENT PARTS

DOOR GASKET SYSTEMS

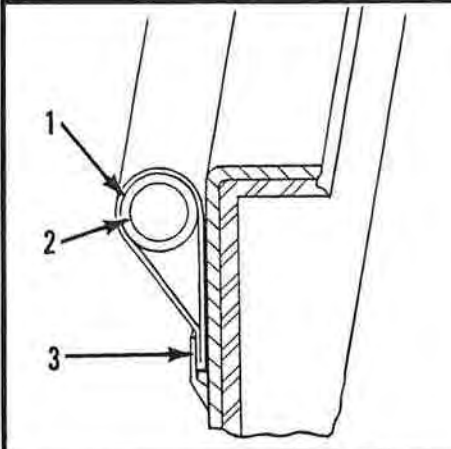
B



Ref. No.	Part No.	Description
1	15A042*	Sponge Core
2	11A061	Gasket Retainer
3	15A041	Gasket

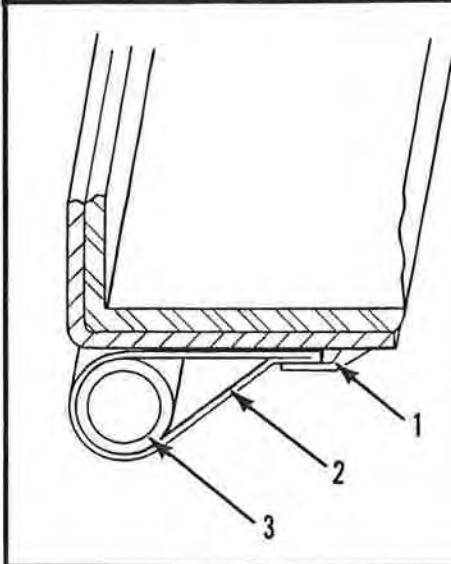
*Used with freezer door gasket assembly.

Where Used: All Header Boards and Face Frames Enviro single slide, bipart, vertical rise and sectional doors.



Ref. No.	Part No.	Description
1	15A016	Gasket
2	51A050	Gasket Tubing
3	21A128	Gasket Retaining Strip

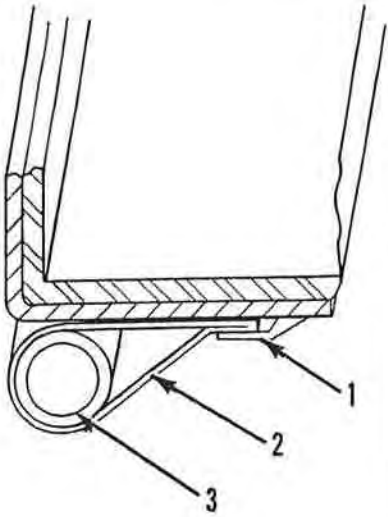
Where Used: Headers and Face Frames all metal doors, single slide, bipart, vertical rise and sectional doors.



Safety edge assembly is used on Tempo single slide, Vertical Rise and Sectional doors.

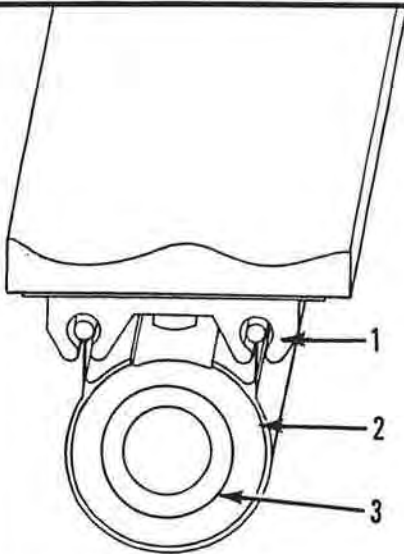
Ref. No.	Part No.	Description
1	21A128	Gasket Retainer
2	15A085	Gasket
3	51A050	Air Edge Tubing

REPLACEMENT PARTS - SECTION 4



Bottom gasket manual Single piece Vertical Rise and Sectional doors, metal and fiberglass.

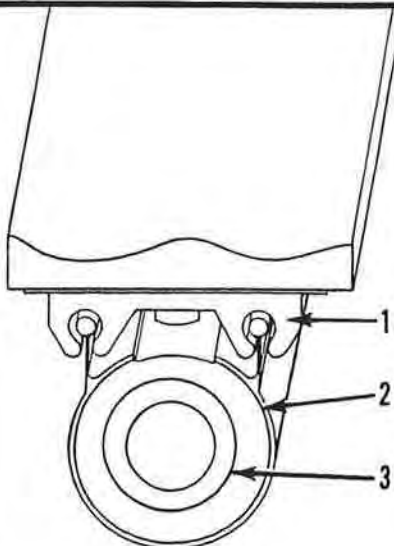
Ref. No.	Part No.	Description
1	21A128	Gasket Retainer
2	15A074	Gasket
3	15A050	Tubing



Bottom gasket powered single piece Vertical Rise and Sectional doors, metal and fiberglass.

Ref. No.	Part No.	Description
1	11A061	Gasket Retainer
2	15A041	Gasket
3	51A050	Air Edge Tubing

Also used as Safety Edge assembly.



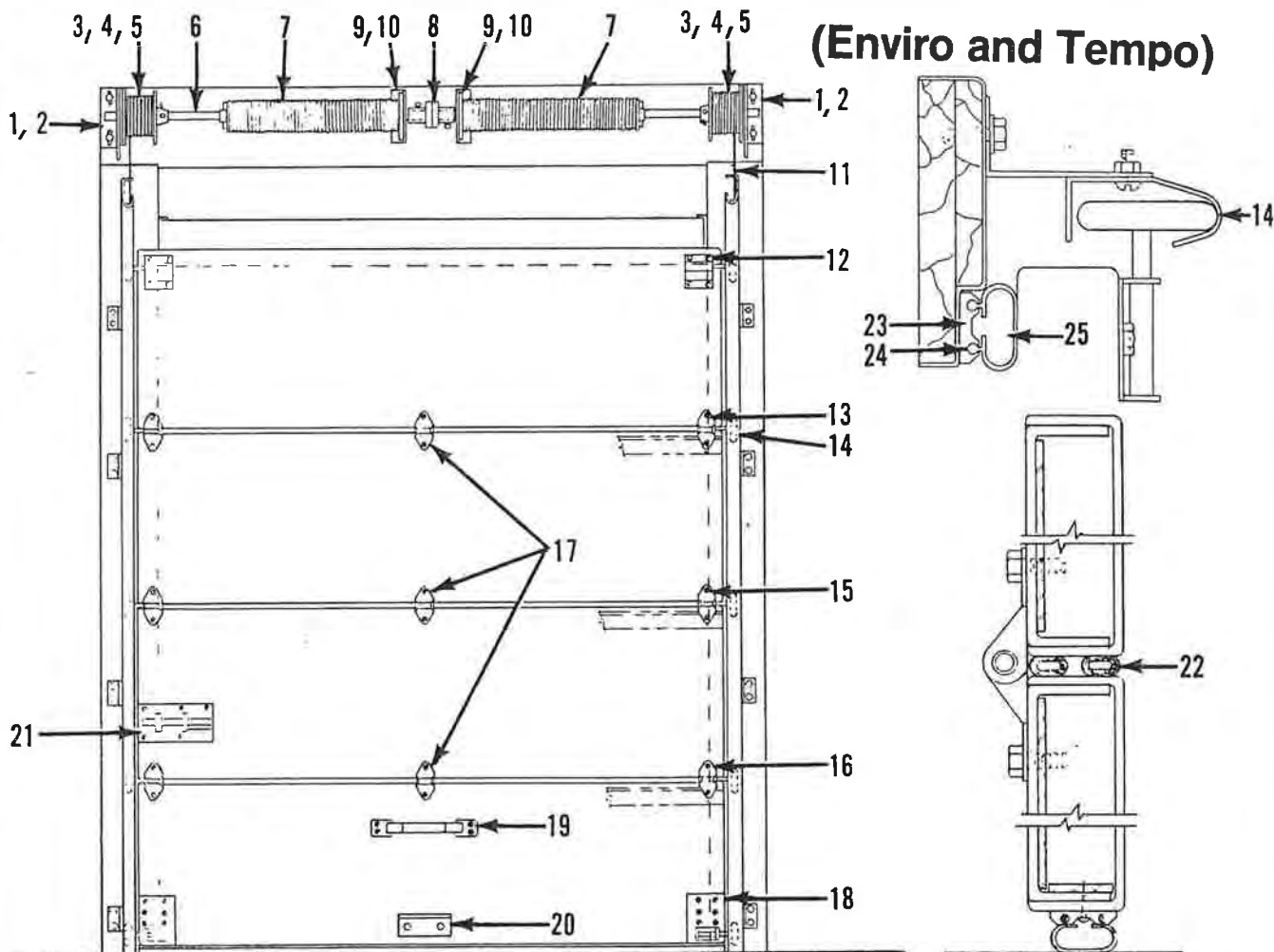
Safety edge assembly is used on Enviro single slide, Vertical Rise and Sectional doors.

Ref. No.	Part No.	Description
1	11A061	Gasket Retainer
2	15A041	Gasket
3	51A050	Air Edge Tubing

SECTION 4 - REPLACEMENT PARTS

SECTIONAL DOOR - 4 PANEL

(Enviro and Tempo)

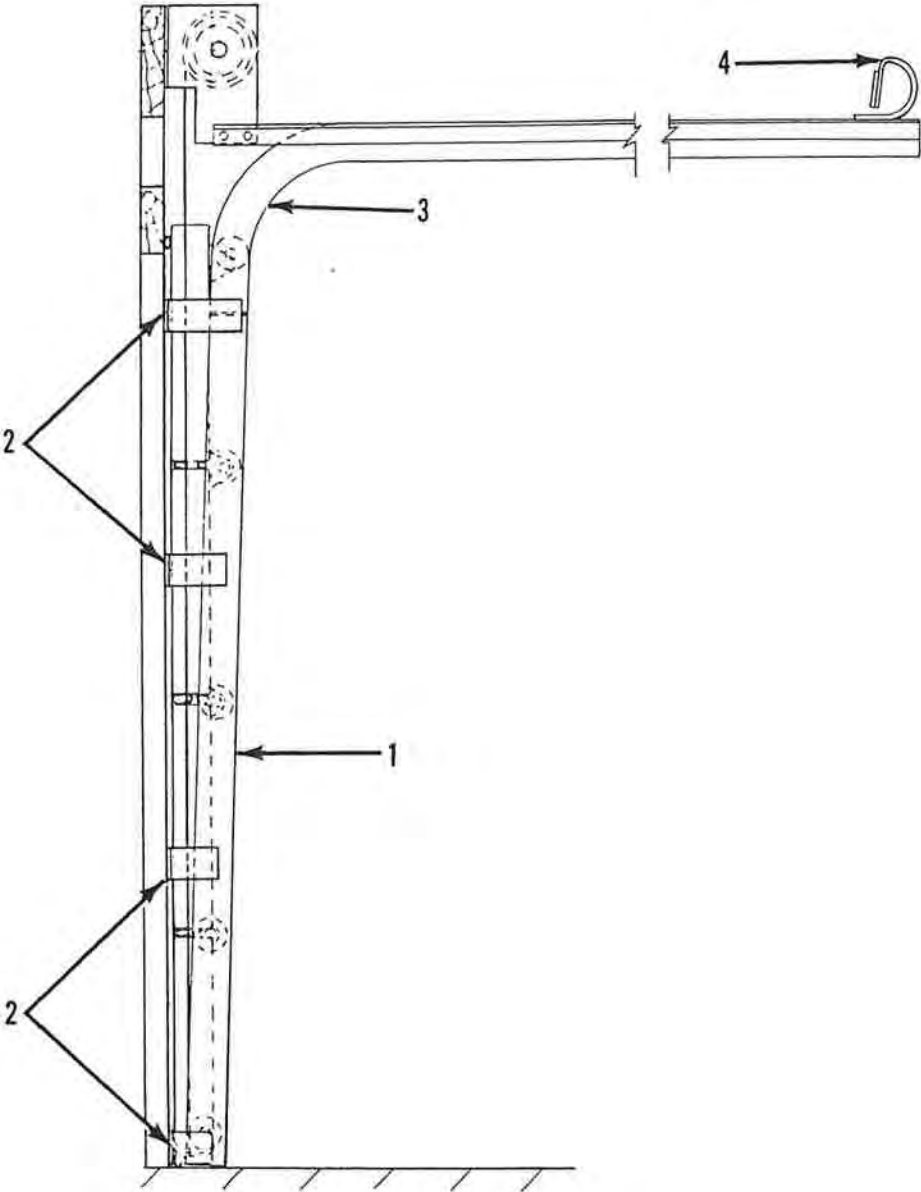


Ref. No.	Part No.	Description	Ref. No.	Part No.	Description
1	52A050-1	End Bearing Support Plates, 4-3/8", R.H.	12	24B007-F1	Top Roller Carrier
	52A050-2	End Bearing Support Plates, 4-3/8", L.H.	13	52A031	#5 Hinge
2	52A062-1	End Bearing Support Plates, 5", R.H.	14	52A034	3" Short Stem Roller
	52A062-2	End Bearing Support Plates, 5", L.H.	15	52A030	#4 Hinge
3	52A049-1	Stand Lift Drums, R.H.	16	52A029	#3 Hinge
4	52A052-1	H. Lift Drums to 54", R.H.	17	52A028	#1 Hinge
	52A052-2	H. Lift Drums to 54", L.H.	18	52C085-1	Bottom Fixture, R.H.
5	52A053-1	H. Lift Drums to 120", R.H.		52C085-2	Bottom Fixture, L.H.
	52A053-2	H. Lift Drums to 120", L.H.	19	16B756	Pull Handle
6	52A066	1" Shaft	20	16B662	Step Plate
7	Spring	Consult Factory for Ordering Information	21	16B820-F1	Slide Bolt, R.H.
8	52A060	1" Shaft Coupling		16B820-F2	Slide Bolt, L.H.
9	52A088-1	Universal Center Support, R.H.	22	15B059	Gasket, Between Panels
	52A088-2	Universal Center Support, L.H.	23	11A061	Face Frame & Header Gasket Retainer, Fiberglass Door
10	52A089	Bearing for Center Support	23	21A128	Face Frame & Header Gasket Retainer, Metal Door (Not Shown)
11	50A015	1/8" Cable	24	15A041	Gasket Fiberglass Door
			24	15A016	Gasket Metal Door (Not Shown)
			25	50A051	Rubber Tubing Metal Doors (Not Shown)

REPLACEMENT PARTS - SECTION 4

STANDARD LIFT SECTIONAL DOOR TRACK HARDWARE

(Enviro and Tempo)

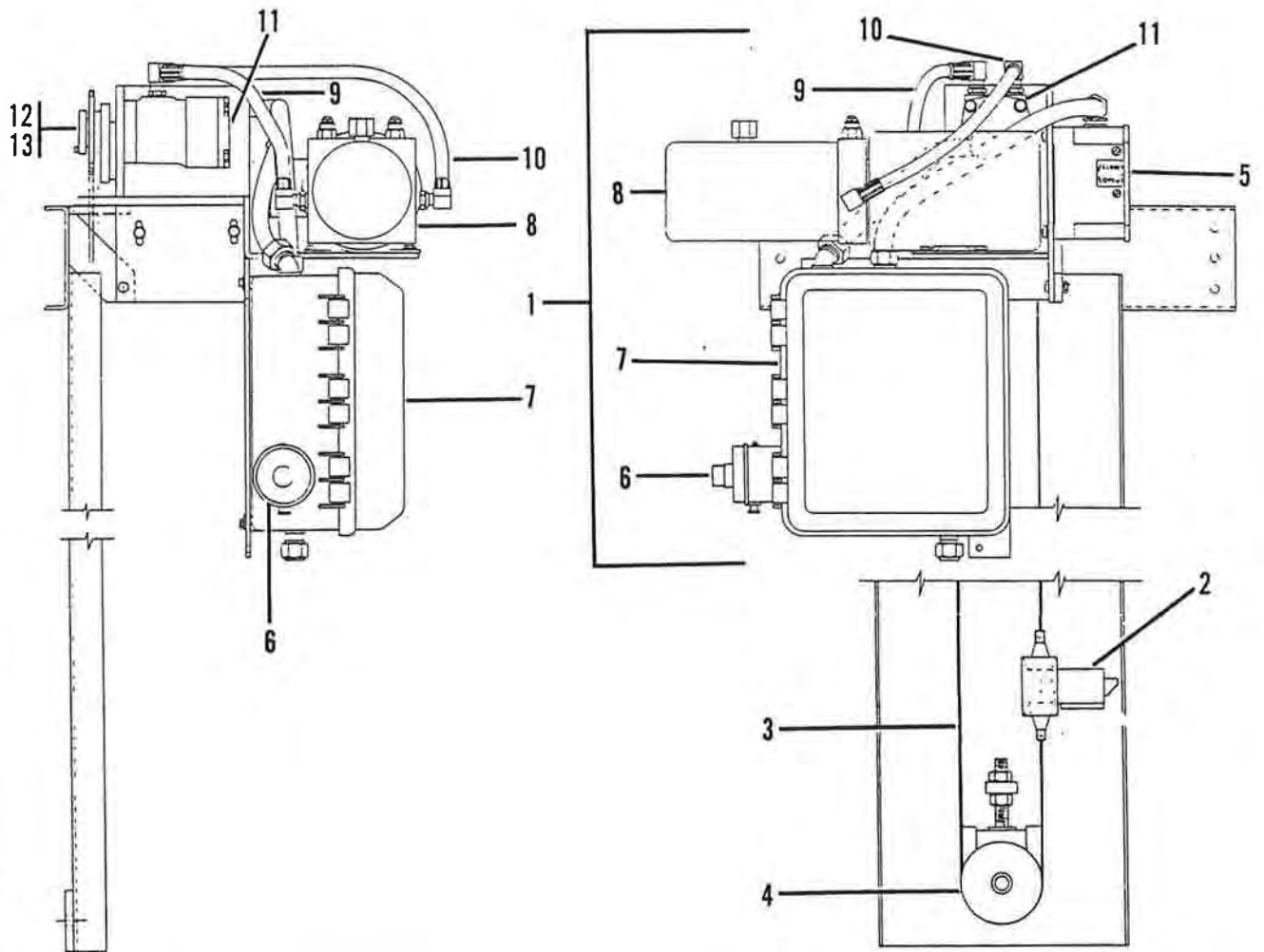


Ref. No.	Part No.	Description
1	52A037	Vertical Track
2	21B006	Track Mount Bracket, 6"
3	52B047-1	Horizontal Track, R.H.
3	52B047-2	Horizontal Track, L.H.
4	52A058	Spring Bumper

REPLACEMENT PARTS - SECTION 4

HYDRAULIC OPERATOR AND FRAME ASSEMBLY, VERTICAL RISE DOORS

(Enviro and Tempo)



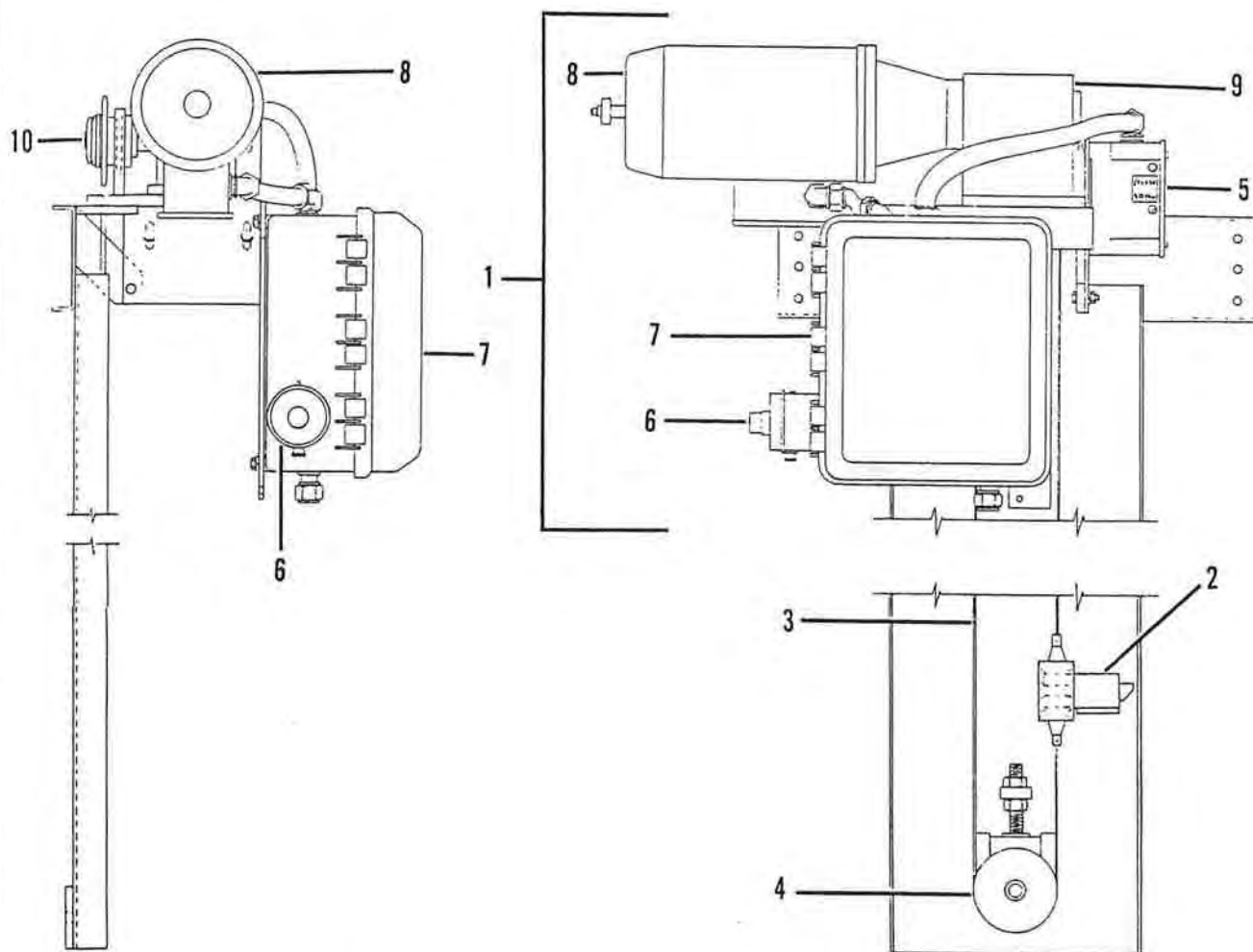
Ref. No.	Part No.	Description
1	30D001-F5	Operator Assembly, Hyd.
2	24C008	Chain Release Assembly, V.R., See Detail H-2
3	50A009	Drive Chain, #2040
4	24B017	Sprocket and Bearing Assembly
5	24C510-F2	Limit Switch Assembly, See Detail F-2
6	23A060	Air Edge Switch
7	24C511	Electric Control Box Assembly, See Detail F-1
8	51A065-3	Hydraulic Pump
9	51B003	Hydraulic Hose, 12-1/2" Lg.
10	51B004	Hydraulic Hose, 20" Lg.
11	51A048	Hydraulic Motor
12	50B196	Drive Sprocket
13	14A081	1" Bushing

REPLACEMENT PARTS - SECTION 4

ELECTRIC OPERATOR AND FRAME ASSEMBLY, VERTICAL RISE DOORS

30D006

(Enviro and Tempo)



Ref. No.	Part No.	Description
1	30D005	Operator Assembly, Elec.
2	24C008	Chain Release Assembly, V.R., See Detail H-2
3	50A009	Drive Chain, #2040
4	24B017	Sprocket and Bearing Assembly
5	24C510-F2	Limit Switch Assembly, See Detail F-2
6	23A060	Air Edge Switch
7	24C511	Electric Control Box Assembly, See Detail F-1
8	23A128	Electric Motor
9	50A233*	Gear Reducer, 20:1 Ratio
10	50A243**	Torque Limiter Clutch

*Specify model number BM-175/BM1175.

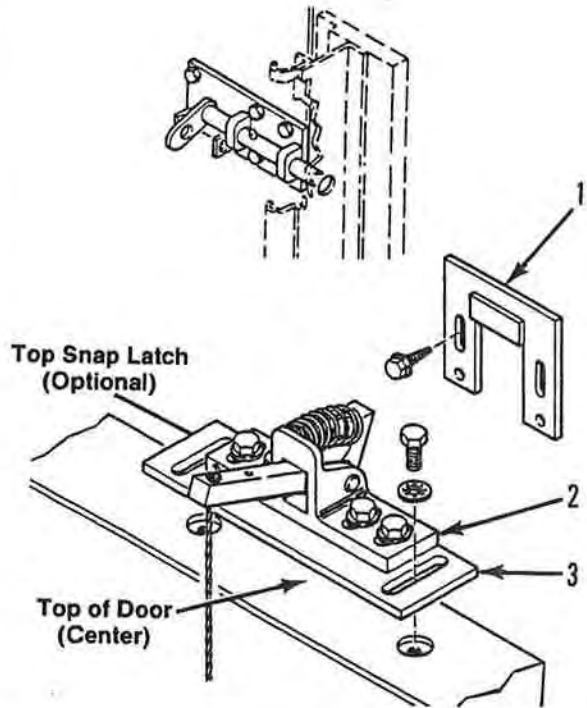
**Vertical Rise Electric Doors manufactured before 1980 used Clutch 50D029-S, with Drive Sprocket 16B818-2S and Idler Sprocket 16B175-2S.

REPLACEMENT PARTS - SECTION 4

SINGLE PIECE AND SECTIONAL DOOR LATCHES

D

Padlock Bolt Assembly
 16B820-F1 R.H. (Shown)
 16B820-F2 L.H. (Not Shown)



Ref No.	Part No.	Description
1	16B940	Wall Striker Latch Plate (Mount to Casing)
2	16C032	Top Latch Assembly
3	14B064	Shim



COLD STORAGE DOORS

ENVIRO DOOR DIV.
 ASI TECHNOLOGIES, INC.
 5848 N. 95TH CT.
 MILWAUKEE, WI 53225

PHONE:
 (WI) 1-414-464-6200
 (U.S.) 1-800-588-7068
 (FAX) 1-414-464-9863

Consistent with our policy of continued product improvement, we reserve the right to change product specifications without notice or obligation.