



OWNER'S MANUAL

MODEL 413

Metal Infitting Cooler/Freezer Doors

GENERAL INFORMATION	3-6
Safety Practices	3
Warranty Policy	5
Crates and Contents	6
413 INSTALLATION	7-10
Jamb Installation	7
Frame & Door Installation	8
Inside Trim Installation	9
Strike Installation	9
Preventative Maintenance	10
Power Connection	10
REPLACEMENT PARTS	11-46
Instructions for Ordering	11
ID Tag Location	12
Door & Frame Parts	13
Hinge Options	15
Latch & Strike Options	15
Emergency Exit Bar	16
Handles & Exit Only Bar	17
Rain Hood	19

Safety Practices



This is a safety alert symbol. It is used to alert you to potential personal injury hazards. Obey all safety messages that follow this symbol to avoid possible injury or death.

DANGER

DANGER indicates an imminently hazardous situation which, if not avoided, will result in death or serious injury.

WARNING

WARNING indicates a potentially hazardous situation which, if not avoided, could result in death or serious injury.

CAUTION

CAUTION indicates a potentially hazardous situation which, if not avoided, may result in minor or moderate injury.

CAUTION

CAUTION used without a safety alert symbol indicates a potentially hazardous situation which, if not avoided, may result in property damage.

NOTE

NOTE explains general information.

⚠ WARNING

Warning read these safety practices before installing, operating or servicing the SLIDING door. Failure to follow these safety practices could result in property damage, death or serious injury.

READ AND UNDERSTAND ALL WARNING LABELS AND OPERATING INSTRUCTIONS IN THIS MANUAL BEFORE OPERATING THE SLIDING DOOR. If you do not understand the instructions, ask your supervisor to teach you how to use the SLIDING door.

Safety Practices (cont'd)

1. Do not operate the door while under the influence of drugs or alcohol.
2. Do not use the door if it looks broken or does not seem to work properly. Advise your supervisor at once.
3. Stay clear of the door when it is moving
4. Keep hands, feet and head clear of the door at all times.
5. Do not operate the door with equipment, material or people directly inside door opening.
6. Disconnect power before performing any electrical or mechanical service, cleaning or other maintenance on the door. OSHA requires disconnect to be properly tagged and locked out during all maintenance or service of equipment. With the power supply disconnected, always verify using a volt meter.
7. All electrical troubleshooting or service must be completed by a qualified electrician or service person and must meet all applicable local, state, federal, international and other governing agency codes.
8. When it is necessary to service the control box with power on, USE EXTREME CAUTION. Do not place fingers or uninsulated tools inside the control box. Touching wires or other parts inside the enclosure may cause electrical shock, serious injury or death.
9. It is your responsibility to keep all warning labels and instructional literature legible, intact and kept with the door. Replacement labels and literature are available from ASI Doors, Inc. or its representatives.
10. If you have any questions, contact your supervisor or your local ASI Doors, Inc. representative for assistance.
11. Train all service and personnel using or near door on intended use(s) and operation of the door.
12. Failure to operate the door as intended, as described, or heed any warning may result in equipment damage, property damage, serious bodily injury or death.

Warranty Policy

ASI Doors (herein called “ASI”) warrants solely for the benefit of its customer that each door system manufactured by ASI (each a “Door System”) will be free from defects in material and manufacture for a period of one (1) year from the date of original shipment by ASI. The following models receive a similar two (2) years from date of shipment warranty: 109, 209, 120-125, 1240-125-, 1240SS-1250SS, 1260-1270, 1260SS-1270SS, 130-135, 140-150, 160-170, 220-225, 220SS-225SS, 230-235, 230SS-235SS. In all instances warranty labor is covered for a period of one (1) year from the date of original shipment.

The foregoing limited warranty shall not apply to defects that result from improper installation, abuse, misuse, alteration, modification, or failure to maintain the Door System in accordance with the ASI Owner’s Manual. Periodic maintenance and adjustment of the Door System as described in the ASI Owner’s Manual are the sole responsibility of the customer. All claims for defects must be made to ASI within thirty (30) days after the defect is discovered or should, with reasonable care, have been discovered. **THE FOREGOING LIMITED WARRANTY CONSTITUTES THE EXCLUSIVE WARRANTY OF ASI WITH RESPECT TO THE DOOR SYSTEM. ASI EXPRESSLY DISCLAIMS ALL OTHER GUARANTEES OR WARRANTIES—WHETHER EXPRESSED, IMPLIED, OR STATUTORY, INCLUDING BUT NOT LIMITED TO ANY IMPLIED WARRANTY OF MERCHANTABILITY AND FITNESS FOR A PARTICULAR PURPOSE.**

If a Door System does not comply with the foregoing limited warranty, and a claim is made by customer within the warranty period, ASI will, at the option of ASI, either repair or replace any defective equipment or parts free of charge and pay the reasonable labor costs to repair or replace the defective equipment or parts if within the defined warranty period. The remedy of repair or replacement shall be the exclusive and sole remedy for any breach of the foregoing limited warranty.

ASI SHALL NOT IN ANY EVENT BE LIABLE FOR ANY INCIDENTAL, INDIRECT, SPECIAL, EXEMPLARY OR CONSEQUENTIAL DAMAGES OF ANY KIND, INCLUDING WITHOUT LIMITATION ANY LOST PROFITS, ARISING FROM THE SALE OR USE OF THE DOOR SYSTEM, OR FROM ANY OTHER CAUSE WHATSOEVER, WHETHER THE CLAIM GIVING RISE TO SUCH DAMAGES IS BASED UPON BREACH OF WARRANTY (EXPRESSED OR IMPLIED) BREACH OF CONTRACT, TORT, STRICT LIABILITY OR ANY OTHER THEORY OF LIABILITY, EVEN IF A PARTY HAS BEEN ADVISED OF THE POSSIBILITY THEREOF, AND REGARDLESS OF ANY ADVISE OR REPRESENTATION THAT MAY HAVE BEEN RENDERED BY ASI CONCERNING THE SALE OR USE OF THE DOOR SYSTEM.

At ASI’s request, customer shall return to ASI for inspection any Door System for which a warranty claim has been made, F.O.B. ASI’s facility with freight prepaid. The customer is responsible for any removal costs.

The customer shall comply with the following procedures in filing a warranty claim with ASI:

1. Notify ASI of any and all defects in writing with photographic evidence. ASI will review the warranty request and issue a Returns Merchandise Authorization (RMA) form if the defective parts need to be returned to ASI for inspection and verification. The RMA form must accompany any materials returned for warranty consideration.
2. All replacement parts or equipment will be invoiced to the customer. Upon verification by ASI that the Door System is defective, ASI will issue a full credit to customer for the replacement parts or equipment.
3. If outside labor is needed to install the replacement parts or equipment, ASI requires a written estimate of the labor charges in advance so ASI may approve the labor charges and issue a purchase order. ASI will not accept any labor charges unless previously approved in writing and accompanied by the ASI purchase order number.

(Rev 12/21)

Crates and Contents

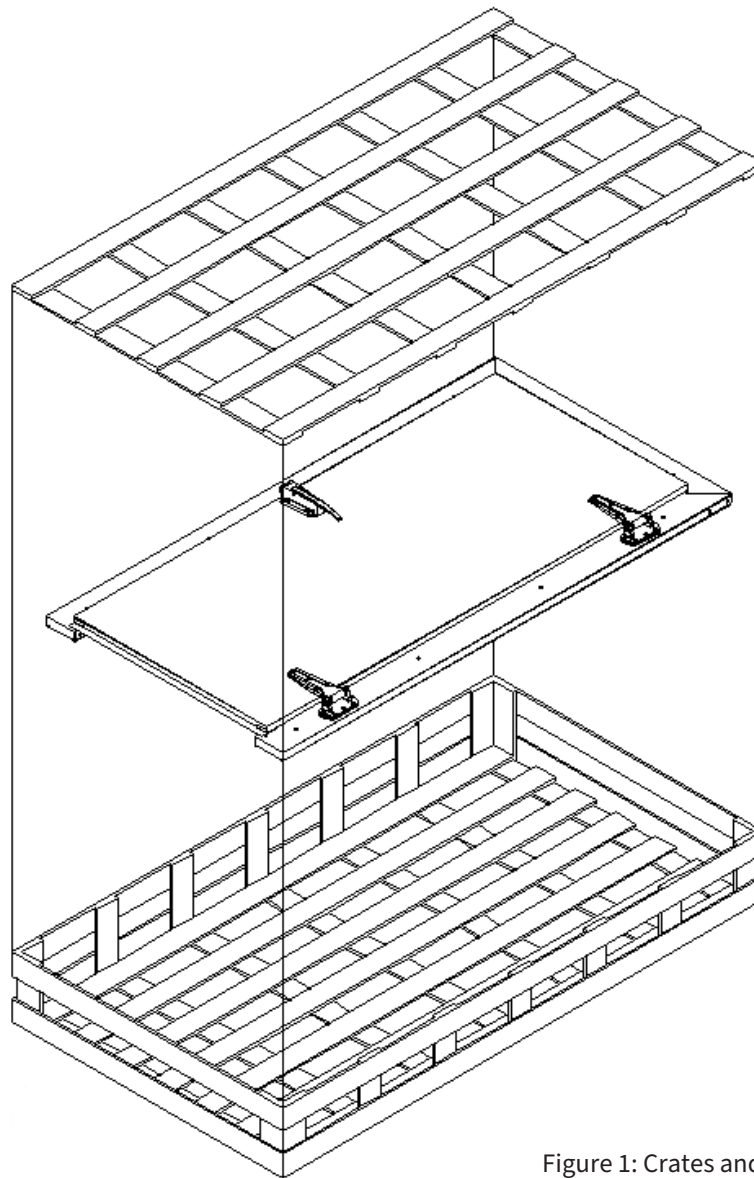


Figure 1: Crates and Contents

Upon receipt of the shipment, check that you have received the correct number of pieces as shown in (Figure 1). Crate one will contain the door panel(s). Crate two will contain the frame, operator and loose parts. **For your protection, note any damages or shortages on the carrier's bill of lading before signing the bill for receipt.**

The installation of this door will require at least a two man crew and a fork lift. Select a fork lift with lifting height based upon the height of the door plus a minimum additional two feet.

NOTE

NOTE because of variances in construction of walls on which the door will be mounted, ASI Doors does not supply fasteners. For proper anchoring of the door, we recommend the use of through bolts. **DO NOT** remove parts from the crate until you encounter the step in which they are to be installed.

NOTE Unless specifically called out as "Provided by ASI", installer is to provide all necessary mounting hardware, anchors, inserts, hang-ers, supports and equipment needed to install door in accordance with final shop drawings and manufacturer's instructions.

Jamb Installation

1. When installing jamb (if ordered), check plumb & square of opening and jamb (figure #2). Insure that jamb is installed level and square
2. Install top sill (and bottom sill on high sill doors) jamb capping first. Top & bottom jamb caps are notched to meet side jamb caps. Jamb capping is slightly over-bent and if ordered to the correct size for wall thickness, should hold itself in place temporarily.
3. Install side jamb caps.
4. Bolts used during frame install, will hold jamb caps in place permanently.
5. Jamb may be ordered empty, or with filled backing material to build out opening to finished opening size. Measure while installing jamb to maintain correct opening width (WIC) and height (HIC) for door frame as ordered.

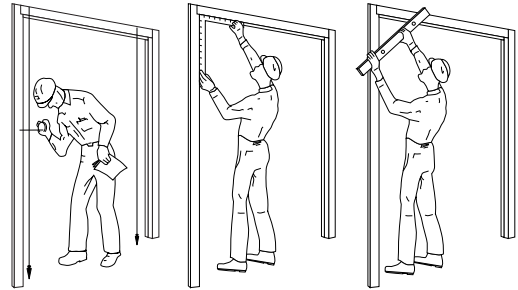


Figure 2: Checking Plumb and Square

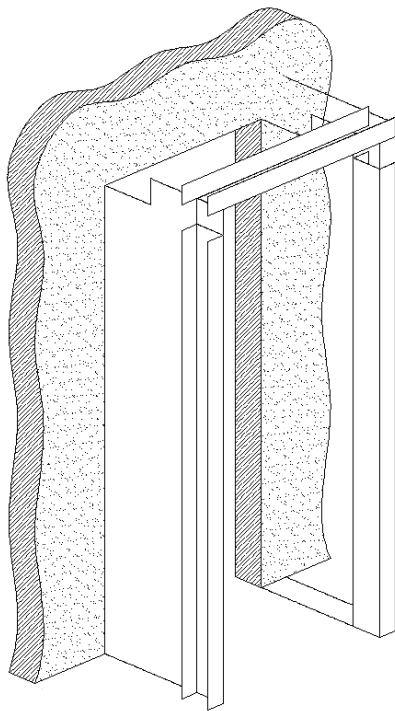


Figure 3: Jamb Installation

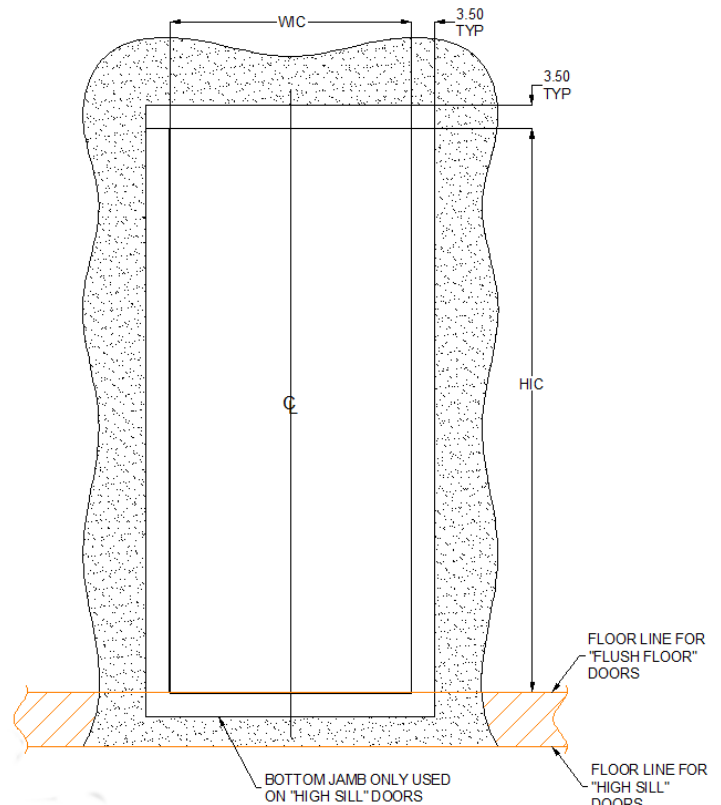


Figure 4: Jamb Dimensions

Frame & Door Installation

1. If also installing inside trim, refer to following inside trim section before mounting door frame.

NOTE

Note determine if the floor is level. If not, keep door frame level, with bottom of frame flush with the high side of the doorway. Shim or fill gap on low side of opening as needed to keep frame level.

2. When installing frame and door, check plumb & square of opening (figure #2).
3. Refer to figures 4, 5, & 6 when installing door & frame. Holes are pre-drilled in frame for mounting. Move door into position on opening. Keep door frame level & shim low side of the frame per note above.

NOTE

Note if installing inside trim, it is important to keep both frames level & aligned, and drill holes straight and level so that holes go through hdpe blocks in inside trim frame when thru-bolting. This is more important when inside trim frame is partially backed, as shown.

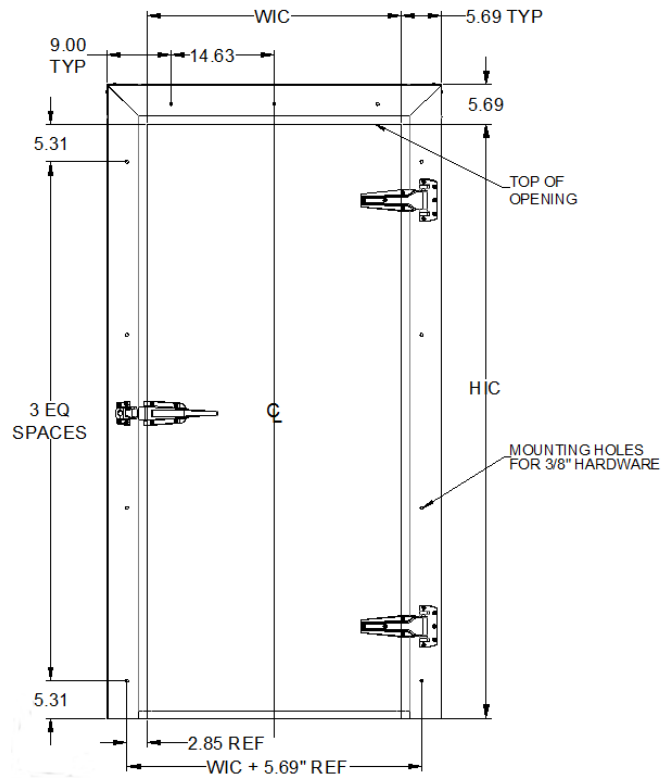


Figure 5: Mounting Hole Locations

4. It may be easier to mount frame with the door panel removed. Remove screws from hinges where they attach to the panel. After mounting frame, re-attach door to hinges.
5. Drill holes in wall through frame holes for 3/8" mounting hardware. Thru-bolts are recommended.
6. If inside frame is not used, metal backing pads (provided by installer) should be used on back side of wall.

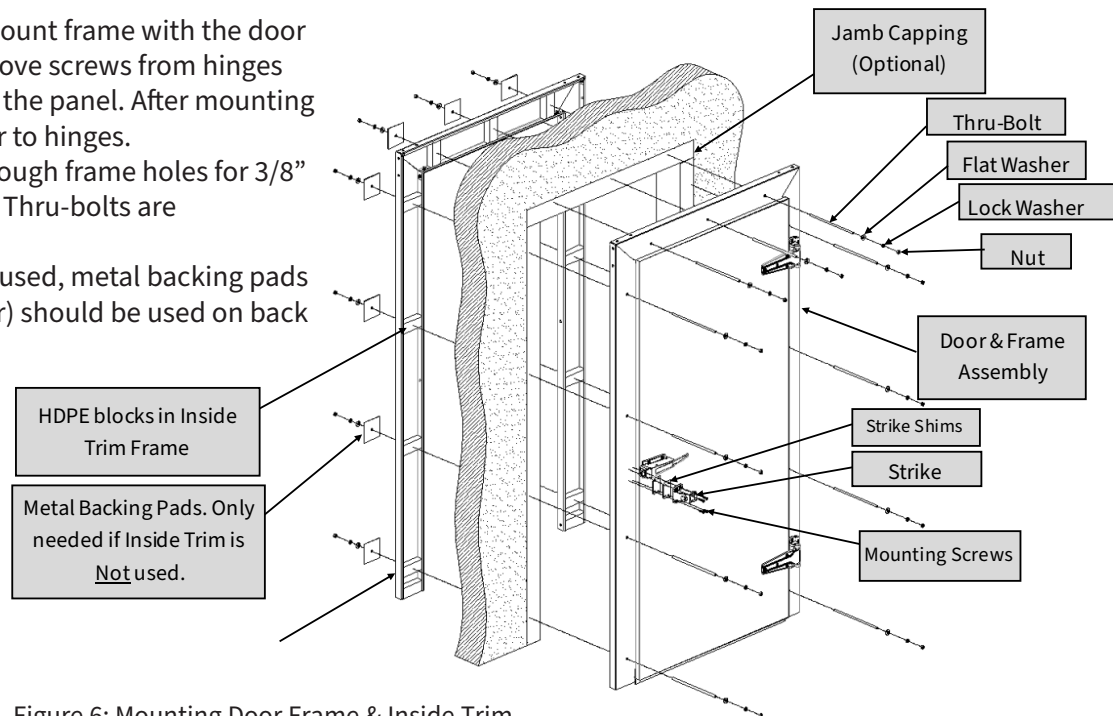


Figure 6: Mounting Door Frame & Inside Trim

Inside Trim Installation

1. If installing inside trim, (Figure #7) install at same time as installing door frame. Mounting both frames flush with edges of opening, keeping both frames aligned with each other.
2. Clamp both frames in place, and drill through pre-drilled holes in front door frame, through wall and inside trim frame.

NOTE

Note if installing inside trim, note that it is important to keep both frames level & aligned, and drill holes straight and level so that holes go through hdpe blocks in inside trim frame when thru-bolting. This is more important when inside trim frame is partially backed.

3. Thru-bolt from door frame side, through wall, and then through inside trim frame, using 3/8" mounting hardware (provided by installer), see figures #6 & 7.

NOTE

Note a 5/16" shackle padlock, or key lock latch option is required for locking door.

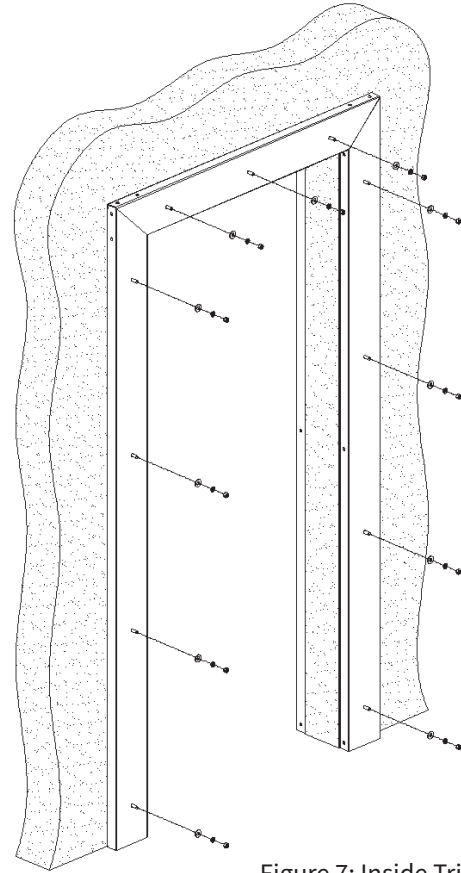


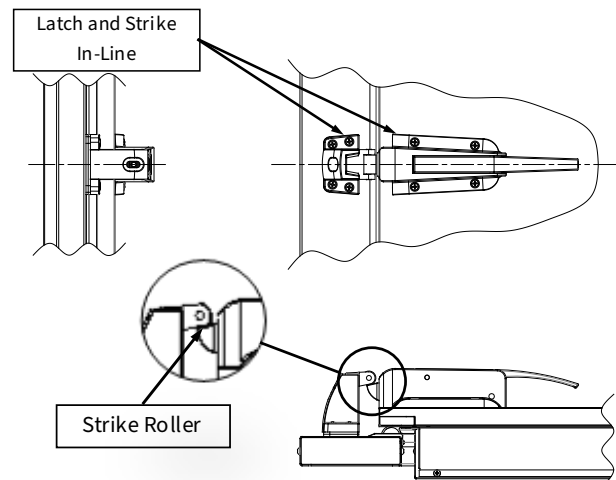
Figure 7: Inside Trim Install

WARNING

WARNING forcing the door closed when the latch is locked via padlock or key lock will damage the internal mechanism of the latch, compromising the lock function.

Strike Installation

1. After mounting frame & door panel, mount the strike (Figure #8). Retrieve strike, strike shims, and screws from the loose parts box.
2. Position body of strike to be centered and in-line with latch mounted on door panel.
3. Use strike shims, and height adjustment on strike assembly to ensure that strike roller contracts latch and door is sealed when the closed position. Tighten all adjusting and mounting screws on strike.



Preventative Maintenance

Preventative and General Maintenance:	Monthly	Bi-Monthly	Quarterly
Check for proper operation of all egress devices (Inside latches, exit only panic bars, etc...)			
Check for proper operation of heating system on freezer doors.			
Check for wear on gasket seal around door.			
Check for wear on gasket on bottom edge of flush-floor doors.			
Check general condition of all hardware, latches, hinges, and any optional hardware for excessive wear, loose screws, or damage.			
Verify lubrication of hinges.			

Power Connections

INSTALLATION

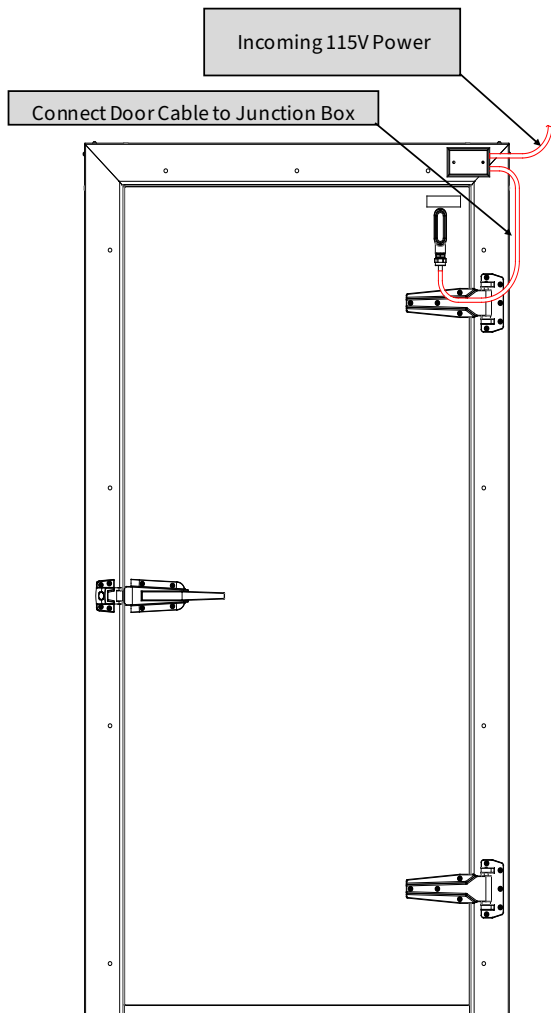


Figure 9: Power Connections (Freezers)

CAUTION

CAUTION heat system should NOT be run until freezer is down to temperature (Below 32°) GFCI protection is required.

Power Connections (Freezer Only)

Freezer doors are shipped with a 30” power cable connected to the electrical box mounted on the face of the Door Panel. After finishing the mechanical installation of the door, do the following steps to connect power to the heating system (see Figure #9).

1. Power cable from door panel should be connected to the junction box mounted on the frame above the door panel.
2. Run incoming 115V power into the junction box on the frame, and make connections to wires in cable from door panel. (Note: GFCI is required)

Make sure that wiring conforms to all applicable state & local electrical codes.

Instructions for Ordering

This parts manual is intended to assist in the correct identification of the more commonly replaced parts; covering, generally, all models and styles offered within the marathon pharm. Line. The manual will also help identify obsolete parts, part design changes and current production parts. For more specific parts information, please contact an authorized representative or consult the factory's customer service or engineering departments. Asi doors reserves the right to discontinue any part and make design changes without notice.

General Instructions for Ordering Door Parts

Accurate information is always necessary to serve you correctly and promptly. Several steps should be followed to determine exactly the parts that are needed.

Refer to the information tag on your door and record the:

1. Door model number
2. Job number
3. Door number
4. Manufacturing date

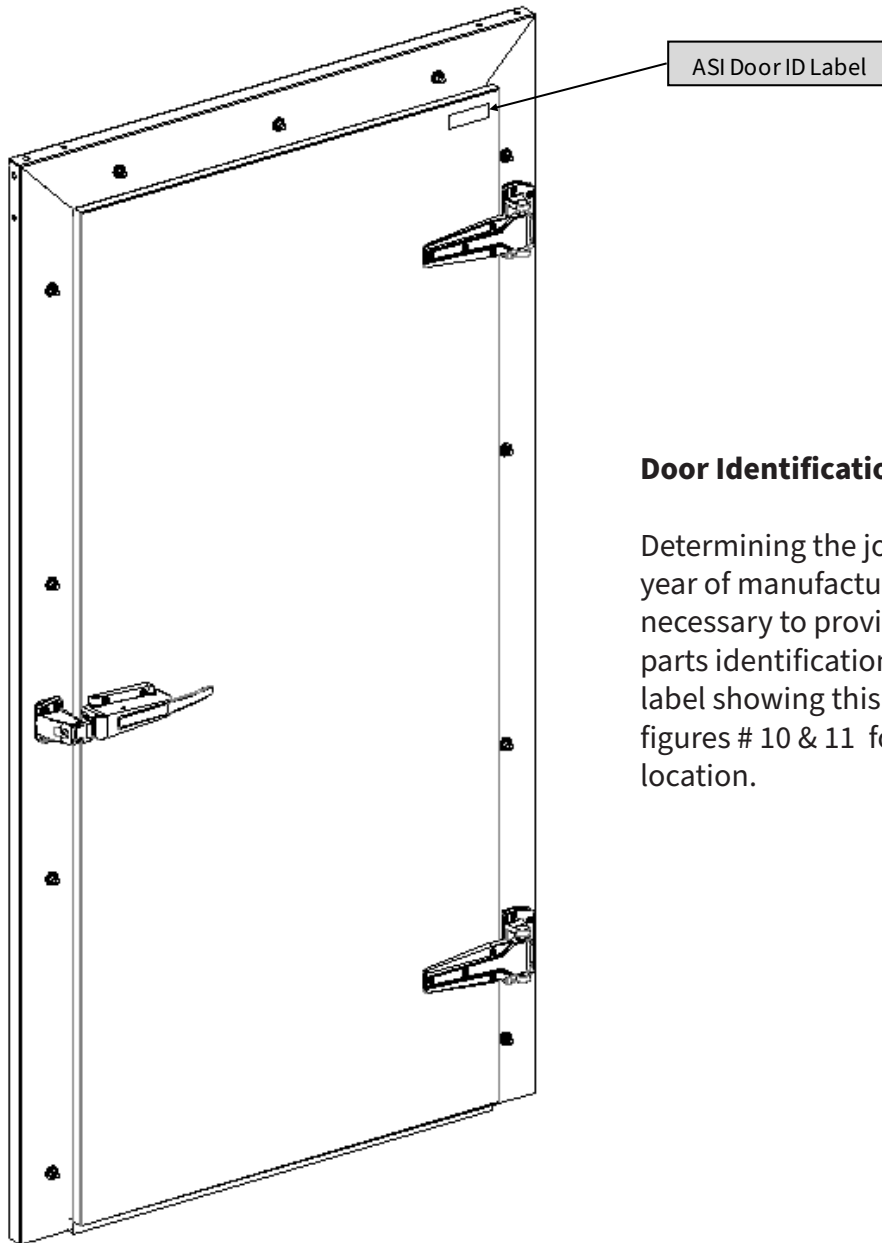
Use part numbers referenced in this manual.

If the item is not found in the manual, the product code on the back of the item is helpful.

If your door has no information label, the approximate purchase date is helpful.

Call
1-800-558-7068
or visit
asidoors.com/parts
to order parts

ID Tag Location



Door Identification

Determining the job number, model, and year of manufacture of your door is necessary to provide quick and accurate parts identification. Each door has an id label showing this information. Refer to figures # 10 & 11 for the id label and its location.

Figure 10: ID Label Location

ASI DOORS, INC.		
DOOR MODEL <input type="text"/>	JOB NUMBER <input type="text"/>	DOOR NUMBER <input type="text"/>
MFG. DATE <input type="text"/>	INSPECTED BY <input type="text"/>	WIRING DIAG. # <input type="text"/>
(800) 558-7068	MILWAUKEE, WI.	USA

Figure 11: Infit Door ID Label

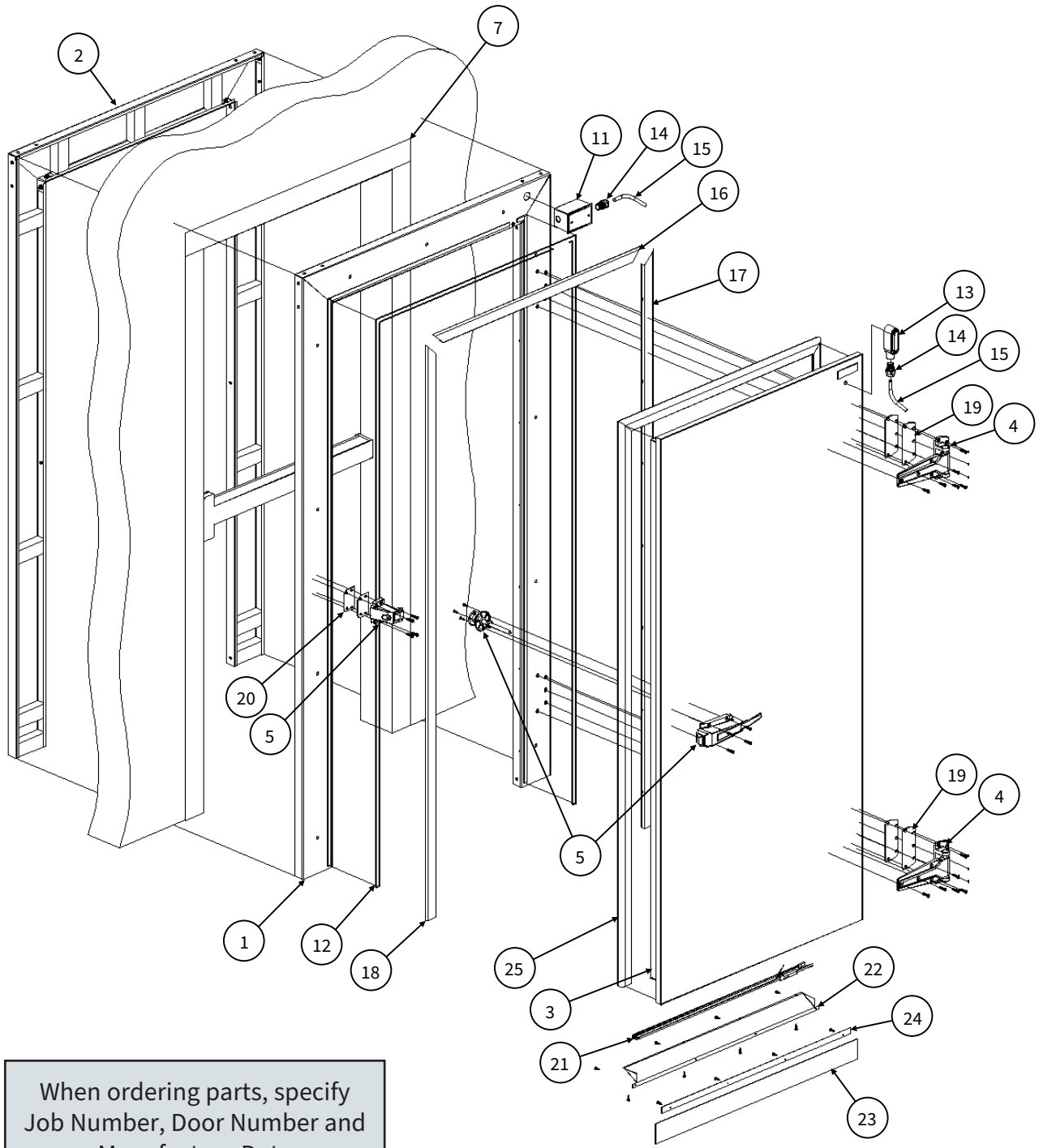
Door & Frame Parts

Description	PART#	ITEM#
FRAME OPTIONS, FLUSH FLOOR, COOLER/FREEZER, SINGLE INFIT	55B0229	1
FRAME OPTIONS, HIGH SILL, COOLER/FREEZER, SINGLE INFIT	55B0230	1
INSIDE TRIM OPTIONS, INFIT DOOR	55B0231	
PANEL OPTIONS, SINGLE INFIT	55B0232	
HINGE OPTIONS, INFIT DOOR	55B0236	
LATCH/STRIKE OPTIONS, INFIT DOOR	55B0237	
CLOSER OPTIONS, INFIT DOOR (SEE NOTE #3)	55B0238	
JAMB OPTIONS, EMPTY, INFIT DOOR	55B0239	
JAMB OPTIONS, FILLED, INFIT DOOR	55B0240	
EXIT DEVICE OPTIONS, INFIT DOOR (SEE NOTE #3)	55B0067	
RAIN HOOD OPTIONS, INFIT DOOR (SEE NOTE #3)	55B0243	
ASI BUMP BAR OPTION	55C779	
ELECTRICAL BOX, WEATHERPROOF, SNGL-GANG (FREEZERS ONLY)	22B029	
BELL BOX COVER & GASKET (FREEZERS ONLY)	22A084	
HEATER WIRE, VARIABLE RESISTANCE (SEE NOTE #4) (FREEZERS ONLY)	22A069	
UNILET CONNECTOR BOX (FREEZERS ONLY)	13B093	
COVER, UNILET BOX (FREEZERS ONLY)	22A136-2	
GASKET, UNILET BOX (FREEZERS ONLY)	22A136-3	
STRAIN RELIEF, .438-.500 DIA. (FREEZERS ONLY)	23A031	
CABLE, 14 GA./3 COND., 600V (FREEZERS ONLY)	22A044-1	
COVER, HEATER FRAME, INFIT, TOP/BOTTOM (FREEZERS ONLY)	13B2026-5	
COVER, HEATER FRAME, INFIT, RH, FLUSH FLOOR (FREEZERS ONLY)	13B2027-5	
COVER, HEATER FRAME, INFIT, RH/LH, HIGH SILL (FREEZERS ONLY)	13B2028-5	
COVER, HEATER FRAME, INFIT, LH, FLUSH FLOOR (FREEZERS ONLY)	13B2027-5	
COVER, HEATER FRAME, INFIT, RH/LH, HIGH SILL (FREEZERS ONLY)	13B2028-5	
SHIM, HINGE, 9"	11A156	
SHIM, HINGE, 17"	16B041	
SHIM, K-56 STRIKE, 1/8"	11B028	
ASSEMBLY, HEAT TAPE, INFIT (FREEZERS ONLY)	24C0088NV	
HEAT TAPE COVER, SWEEP, INFIT (FREEZERS ONLY)	13B2057NV	
GASKET, SWEEP, 3", WIC + 2.5" (FREEZERS ONLY)	15A017	
BRACKET, SWEEP GASKET, 1", INFIT (FREEZERS ONLY)	13B2056NV	
DOOR GASKET, "P" PROFILE, (2 * HIC) + (WIC) + 1.0"	15A070	

NOTE

Note

1. Door shown in figure #12 is a flush floor right hand model, and is for reference only.
2. References to part numbers beginning with "55" represent multiple options, and actual replacement P/N will be different depending on your specific installation. Consult ASI Doors service department to verify correct P/N needed.
3. Most optional components are shown or listed on the following pages.
4. Resistance of heater wire is determined by door type, HIC, and WIS. Consult ASI Doors service department to verify correct p/n needed.



When ordering parts, specify
Job Number, Door Number and
Manufacture Date

Figure 12: Single Infit Door Parts View

REPLACEMENT PARTS

Hinge Options

F08	F07	F06	F05	F04	F03	F02	F01	DESCRIPTION	PART#
-	-	-	-	-	-	-	X	HINGE OPTION, 9", POLISHED ALUMINUM	55B0236F01
-	-	-	-	-	-	X	-	HINGE OPTION, 9", WHITE POWDER COAT	55B0236F02
-	-	-	-	-	X	-	-	HINGE OPTION, 9", GREY POWDER COAT	55B0236F03
-	-	-	-	X	-	-	-	HINGE OPTION, 9", STAINLESS	55B0236F04
-	-	-	X	-	-	-	-	HINGE OPTION, 17", WHITE POWDER COAT	55B0236F05
-	-	X	-	-	-	-	-	HINGE OPTION, 17", GREY POWDER COAT	55B0236F06
-	X	-	-	-	-	-	-	HINGE OPTION, 17" STAINLESS	55B0236F07
X	-	-	-	-	-	-	-	HINGE OPTION, 17" CHROME	55B0236F08
-	-	-	-	-	-	-	AR	HINGE, 9" ALUM, CAM, 1-3/8" OFFSET	16A150NN60
-	-	-	-	-	-	-	AR	HINGE, 9" WHT, CAM, 1-3/8" OFFSET	16A150NN70
-	-	-	-	-	AR	-	-	HINGE, 9" GRY, CAM, 1-3/8" OFFSET	16A150NN75
-	-	-	-	AR	-	-	-	HINGE, 9" S/S, CAM, 1-3/8" OFFSET	16A150NN20
-	-	-	AR	-	-	-	-	HINGE, 17" WHT, CAM, 1-5/8" OFFSET	16A073
-	-	AR	-	-	-	-	-	HINGE, 17" GRY, CAM, 1-5/8" OFFSET	16A088
-	AR	-	-	-	-	-	-	HINGE, 17" S/S, CAM, 1-5/8" OFFSET	16A151NN20
AR	-	-	-	-	-	-	-	HINGE, 17" CHR, CAM, 1-5/8" OFFSET	16A778
-	-	-	-	AR	AR	AR	AR	SHIM, HINGE BUTT, 9" HINGE (1 PER HINGE)	11A156
AR	AR	AR	AR	-	-	-	-	SHIM, HINGE BUTT, 17" HINGE (1 PER HINGE)	16B041

Latch & Strike Options

F06	F05	F04	F03	F02	F01	DESCRIPTION	PART#
-	-	-	-	-	X	LATCH/STRIKE, INFIT, POLISHED CHROME	55B0237F01
-	-	-	-	X	-	LATCH/STRIKE, INFIT, WHITE PC	55B0237F02
-	-	-	X	-	-	LATCH/STRIKE, INFIT, GRAY PC	55B0237F03
-	-	X	-	-	-	LATCH/STRIKE, INFIT, STAINLESS (FROM CHG)	55B0237F04
-	X	-	-	-	-	LATCH/STRIKE, INFIT, CYLINDER LOCK, POLISHED CHROME	55B0237F05
X	-	-	-	-	-	LATCH/STRIKE, INFIT, HD W/ PUSH PADDLE, CHROME	55B0237F06
-	-	-	-	-	1	STRIKE, 1-1/8" OFFSET, CHROME	16A030
-	-	-	-	1	-	STRIKE, NYLON WHITE, 3/4" TO 1-1/2" OFFSET	16A065
-	-	-	1	-	-	STRIKE, BAY FOG GRAY, 3/4" TO 1-1/2" OFFSET	16A091
-	-	1	-	-	-	STRIKE, STAINLESS	16A097
-	-	-	-	-	1	LATCH, CHROME	16A033
-	-	-	-	1	-	LATCH, NYLON WHITE	16A064
-	-	-	1	-	-	LATCH, BAY FOG GRAY	16A090
-	-	1	-	-	-	LATCH, STAINLESS	16A096
-	1	-	-	-	-	LATCH, CYLINDER LOCK, POLISHED CHROME	16A035
1	-	-	-	-	-	LATCH ASM, HD, 1-1/8" OFFSET	16A038F1
-	-	-	-	-	-	LATCH ASM, HD, FLUSH MOUNT	16A038F2
AR	AR	AR	AR	AR	AR	INSIDE RELEASE, 4" DOOR	16A045F1
AR	AR	AR	AR	AR	AR	INSIDE RELEASE, 6" DOOR	16A045F2
-	1	1	1	1	1	SHIM, STRIKE	11B028

When ordering parts, specify
Job Number, Door Number and
Manufacture Date

Emergency Exit Bar

QTY.	DESCRIPTION	PART #	ITEM #
	ASM, EMERGENCY EXIT DEVICE, INFIT	55C779	-
1	INFIT DOOR ASM	A/R	1
1	EMERGENCY EXIT BUMP BAR	16B0048NN20	2
6	SCREW, 1/4-20 X 1.50 PH OHMS SS	41A160	3
A/R	LOCKTITE, #242, THREADLOCK	10A010	4

Emergency Exit Bar with STD Release

Emergency Exit Bar with Paddle Release

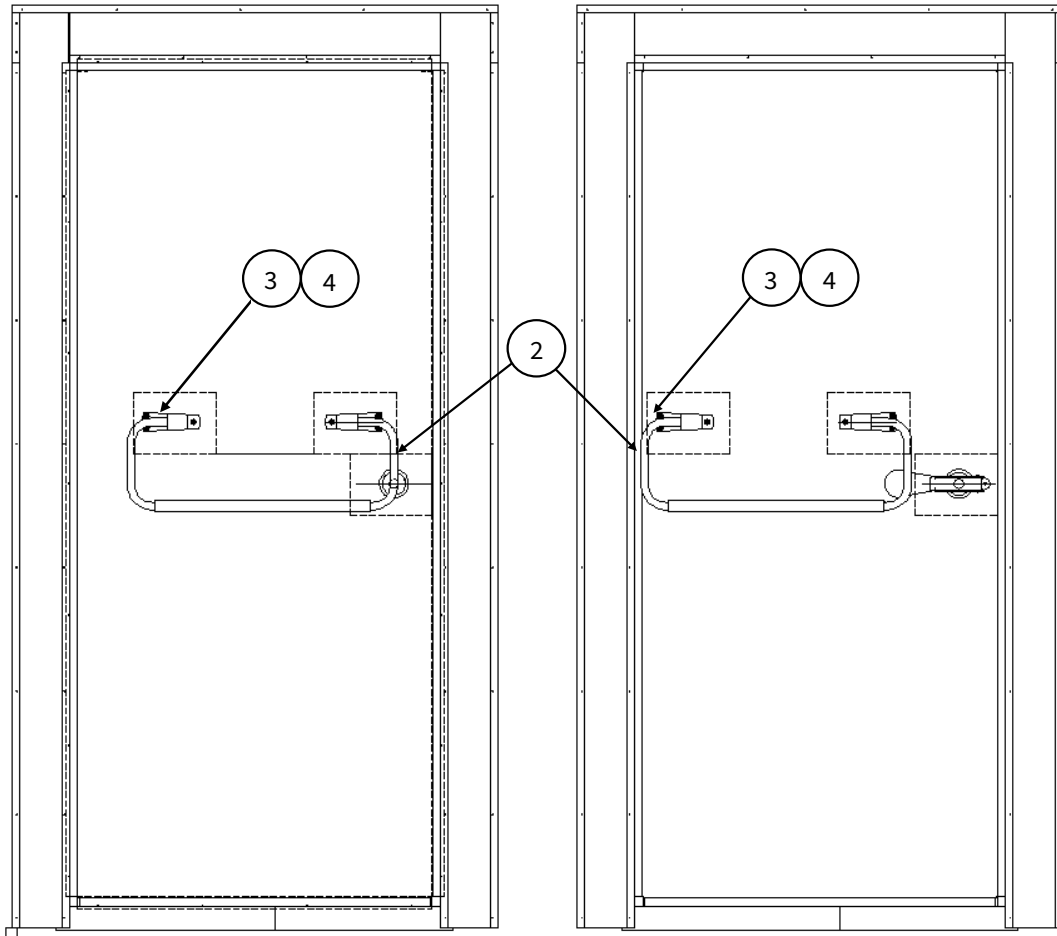


Figure 14: Optional Emergency Exit Devices

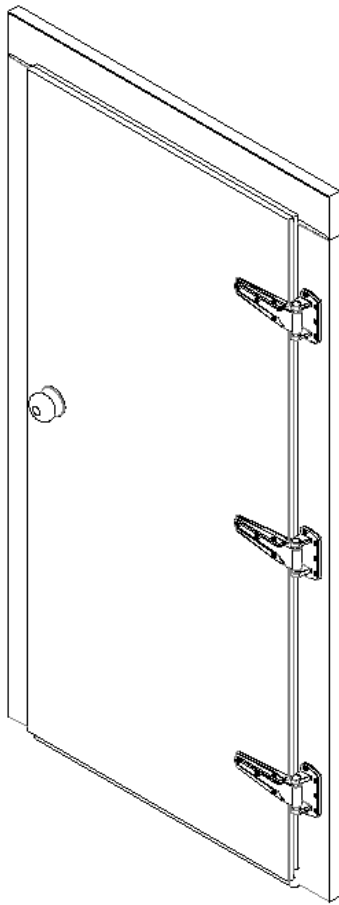
NOTE

Note normally used with standard Latches & Strikes. Shown with STD & Paddle inside releases.

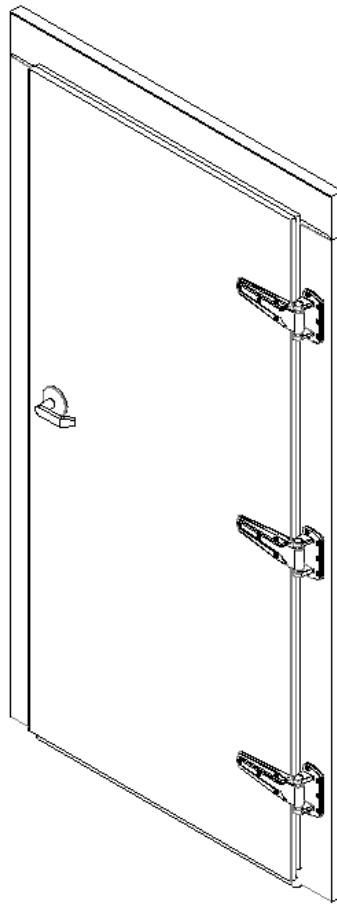
When ordering parts, specify Job Number, Door Number and Manufacture Date

Optional Handles & Exit Only Bar

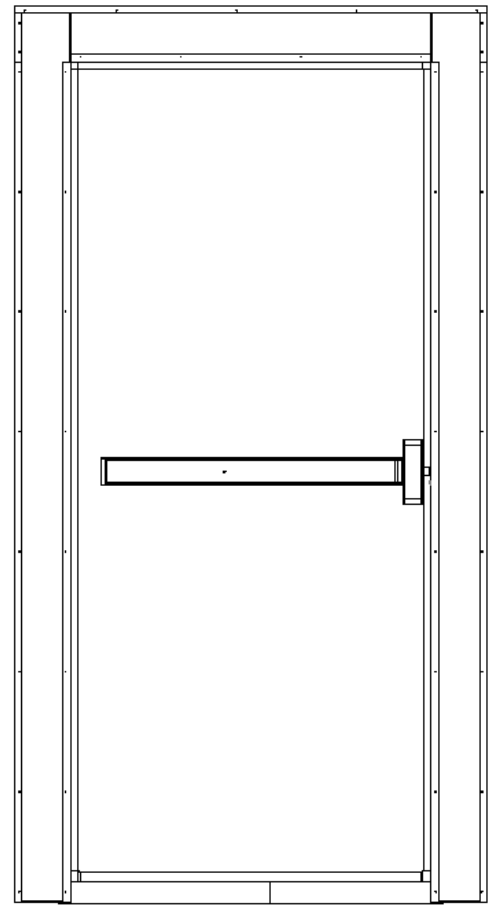
F10	F11	F08	F07	F06	F05	F04	F03	F02	F01	DESCRIPTION	PART#	ITEM#
-	-	-	-	-	-	-	-	-	X	EXIT ONLY, DORMA, ALUMINUM	55B0067F01	-
-	-	-	-	-	-	-	-	X	-	EXIT ONLY, DORMA, STAINLESS	55B0067F02	-
-	-	-	-	-	-	-	X	-	-	ALUMINUM, EXT KNOB, NO KEY	55B0067F03	-
-	-	-	-	-	-	X	-	-	-	ALUMINUM, EXT KNOB, WITH KEY	55B0067F04	-
-	-	-	-	-	X	-	-	-	-	ALUMINUM, EXT LEVER, NO KEY	55B0067F05	-
-	-	-	-	X	-	-	-	-	-	ALUMINUM, EXT LEVER, WITH KEY	55B0067F06	-
-	-	-	X	-	-	-	-	-	-	STAINLESS, EXT KNOB, NO KEY	55B0067F07	-
-	-	X	-	-	-	-	-	-	-	STAINLESS, EXT KNOB, WITH KEY	55B0067F08	-
-	x	-	-	-	-	-	-	-	-	STAINLESS, EXT LEVER, NO KEY	55B0067F09	-
x	-	-	-	-	-	-	-	-	-	STAINLESS, EXT LEVER, WITH KEY	55B0067F10	-
-	-	-	-	1	1	1	1	-	1	BAR, EXIT ONLY, ALUMINUM	16A107	1
1	1	1	1	-	-	-	-	1	-	BAR, EXIT ONLY, STAINLESS	16A120	1
-	-	-	1	-	-	-	1	-	-	ROUND KNOB, NO LOCK ALUM. FINISH	16A0161NN60	2
-	-	1	-	-	-	1	-	-	-	ROUND KNOB, WITH LOCK ALUM. FINISH	16A0162NN60	3
-	1	-	-	-	1	-	-	-	-	DOOR LEVER, NO LOCK ALUM. FINISH	16A0163NN60	4
1	-	-	-	1	-	-	-	-	-	DOOR LEVER, WITH LOCK ALUM. FINISH	16A0164NN60	5
2	2	2	2	2	2	2	2	-	-	SCREW, #10-32 X 4.50" ROUND HEAD PHILLIPS, ZN	41A226	6
1	-	1	-	1	-	1	-	-	-	KEYWAY, BEST P/N IC7-A-26D	16A0165	7
1	1	1	1	1	1	1	1	-	-	WELDMENT, DORMA EXTENSION	16A0156	8
A/R	A/R	A/R	A/R	A/R	A/R	A/R	A/R	A/R	A/R	SHIM, STRIKE, DORMA, 4-1/2" X 1-5/8"	11A169	9
6	6	6	6	6	6	6	6	3	3	SCREW, 1/4-20 X 1.50, PH, FHMS, S/S	41A160	10
A/R	A/R	A/R	A/R	A/R	A/R	A/R	A/R	A/R	A/R	LOCKTITE, #242, THREADLOCK	10A010	11



Optional Round Door Knob



Optional Door Lever



Optional Exit Only Bar

Figure 15: Optional Handles and Exit Only Devices

NOTE

Note exit only bar shown is normally used in “exit only” applications, and typically replaces standard latches & strikes.

When ordering parts, specify
Job Number, Door Number and
Manufacture Date

Rain Hood

F03	F02	F01	DESCRIPTION	PART#	ITEM#
-	-	1	ASSEMBLY, RAIN HOOD, GALV	55B0243F01	1
-	1	-	ASSEMBLY, RAIN HOOD, S/S	55B0243F02	1
1	-	-	ASSEMBLY, RAIN HOOD, WHT MTL	55B0243F03	1

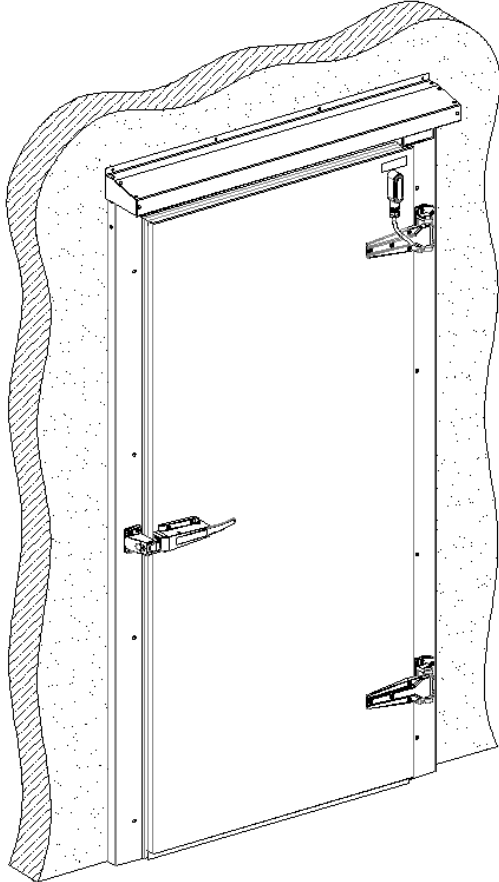


Figure 16: Optional Rain Hood

NOTE

Note installer to provide 1/4" hardware appropriate for wall surface at install site to attach hood.

When ordering parts, specify Job Number, Door Number and Manufacture Date

REPLACEMENT PARTS



OPEN UP TO WHAT'S POSSIBLE



asidoors.com