



**Single Sliding
Seamless Stainless
Steel Door - MODEL
1240SS/1250SS**

PARTS MANUAL

Instructions for Ordering

This parts manual is intended to assist in the correct identification of the more commonly replaced parts; covering, generally, all models and styles offered within the marathon pharm. Line. The manual will also help identify obsolete parts, part design changes and current production parts. For more specific parts information, please contact an authorized representative or consult the factory's customer service or engineering departments. Asi doors reserves the right to discontinue any part and make design changes without notice.

General Instructions for Ordering Door Parts

Accurate information is always necessary to serve you correctly and promptly. Several steps should be followed to determine exactly the parts that are needed.

Refer to the information tag on your door and record the:

1. Door model number
2. Job number
3. Door number
4. Manufacturing date.

Use part numbers referenced in this manual.

If the item is not found in the manual, the product code on the back of the item is helpful.

If your door has no information label, the approximate purchase date is helpful.

Call

1-800-558-7068

or visit

asidoors.com/parts

to order parts

Manual Part #: 17A235

Door Identification

Determining the Job Number, Model and Year of Manufacture of your door is necessary to provide quick and accurate parts identification. The following is a description of labels and their locations.

When ordering parts, specify Job Number, Door Number and Manufacture Date

Product Labels:

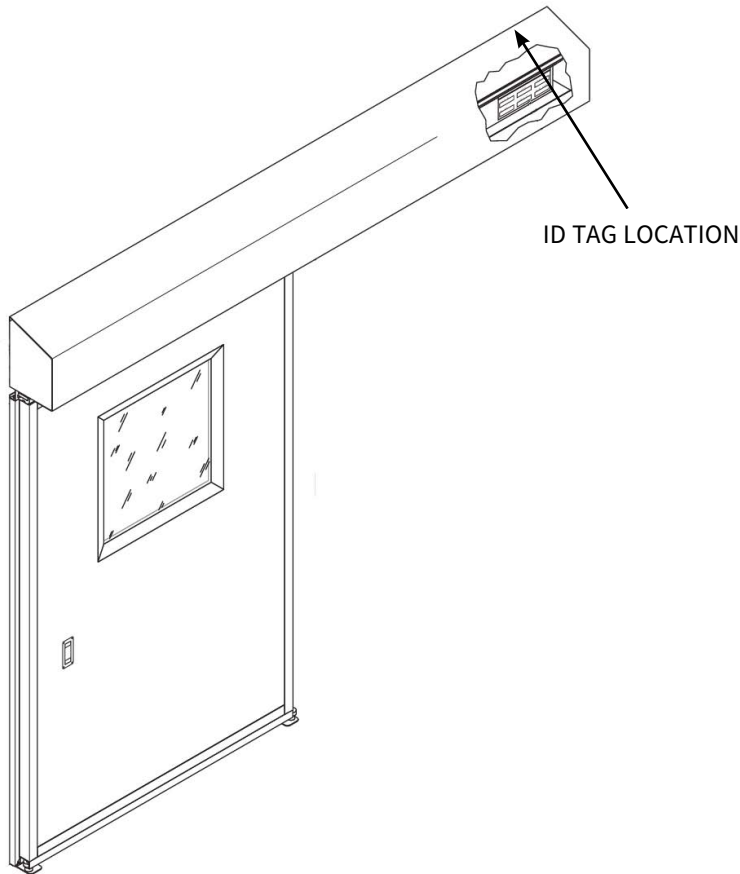
Manual Doors

Power Doors

ASI Doors, Inc.		
MILWAUKEE	WISCONSIN	MADE IN USA
DOOR MODEL <input style="width: 100%; height: 15px;" type="text"/>	JOB NUMBER <input style="width: 100%; height: 15px;" type="text"/>	DOOR NUMBER <input style="width: 100%; height: 15px;" type="text"/>
MFG. DATE <input style="width: 100%; height: 15px;" type="text"/>	INSPECTED BY <input style="width: 100%; height: 15px;" type="text"/>	

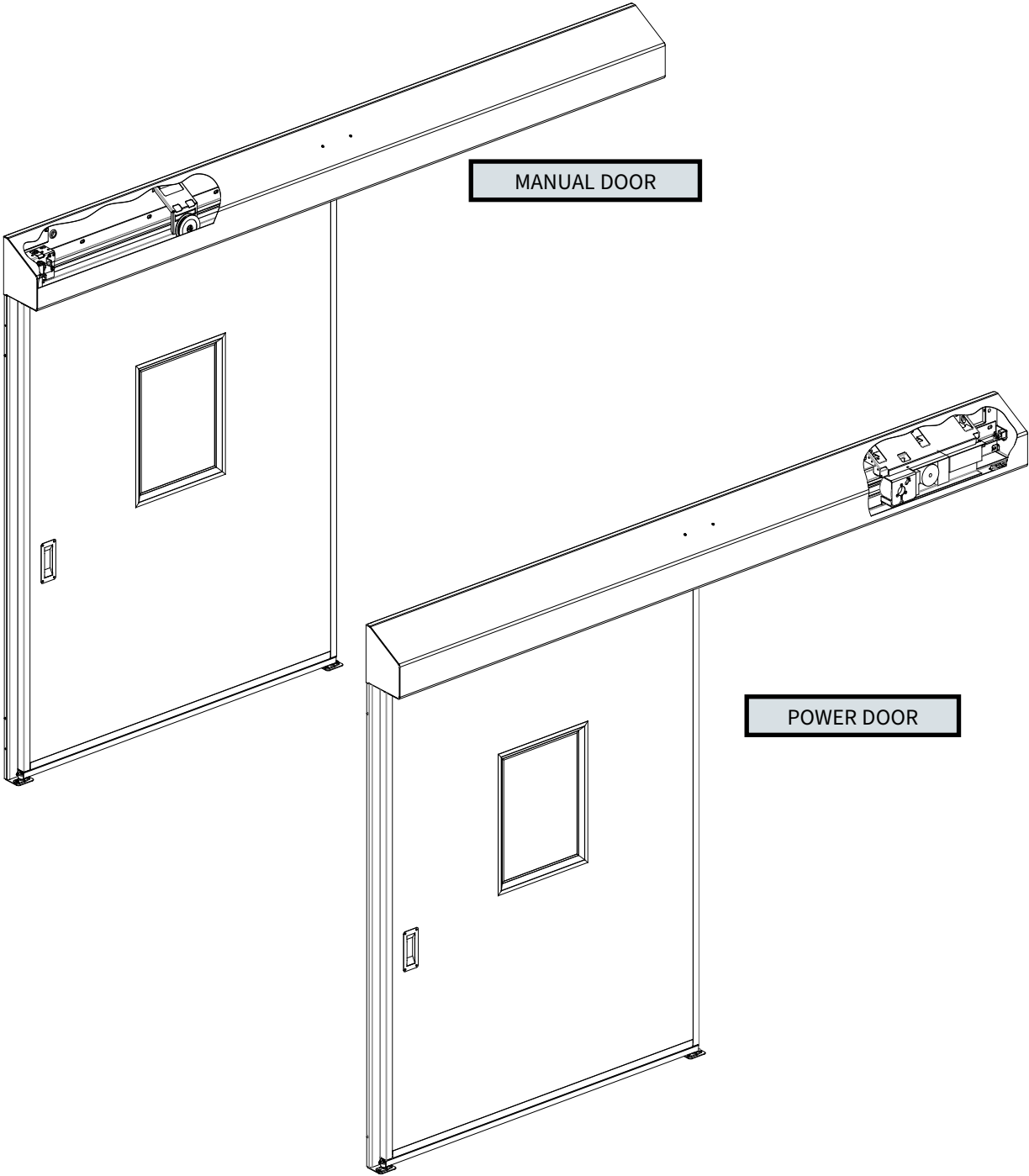
ASI Doors, Inc.			
MILWAUKEE	WISCONSIN	MADE IN USA	
DOOR MODEL <input style="width: 100%; height: 15px;" type="text"/>	JOB NUMBER <input style="width: 100%; height: 15px;" type="text"/>	DOOR NUMBER <input style="width: 100%; height: 15px;" type="text"/>	
MFG. DATE <input style="width: 100%; height: 15px;" type="text"/>	INSPECTED BY <input style="width: 100%; height: 15px;" type="text"/>		
OPERATOR TYPE <input style="width: 100%; height: 15px;" type="text"/>	MODEL # <input style="width: 100%; height: 15px;" type="text"/>	WIRING DIAGRAM <input style="width: 100%; height: 15px;" type="text"/>	
HORSEPOWER <input style="width: 100%; height: 15px;" type="text"/>	VOLTAGE/PHASE <input style="width: 100%; height: 15px;" type="text"/>	HZ <input style="width: 100%; height: 15px;" type="text"/>	AMPERAGE <input style="width: 100%; height: 15px;" type="text"/>

ID Tag Location



Door Assembly

When ordering parts, specify
Job Number, Door Number and
Manufacture Date



NOTE: Subsequent pages
show detailed assemblies
with parts lists.

REPLACEMENT
PARTS

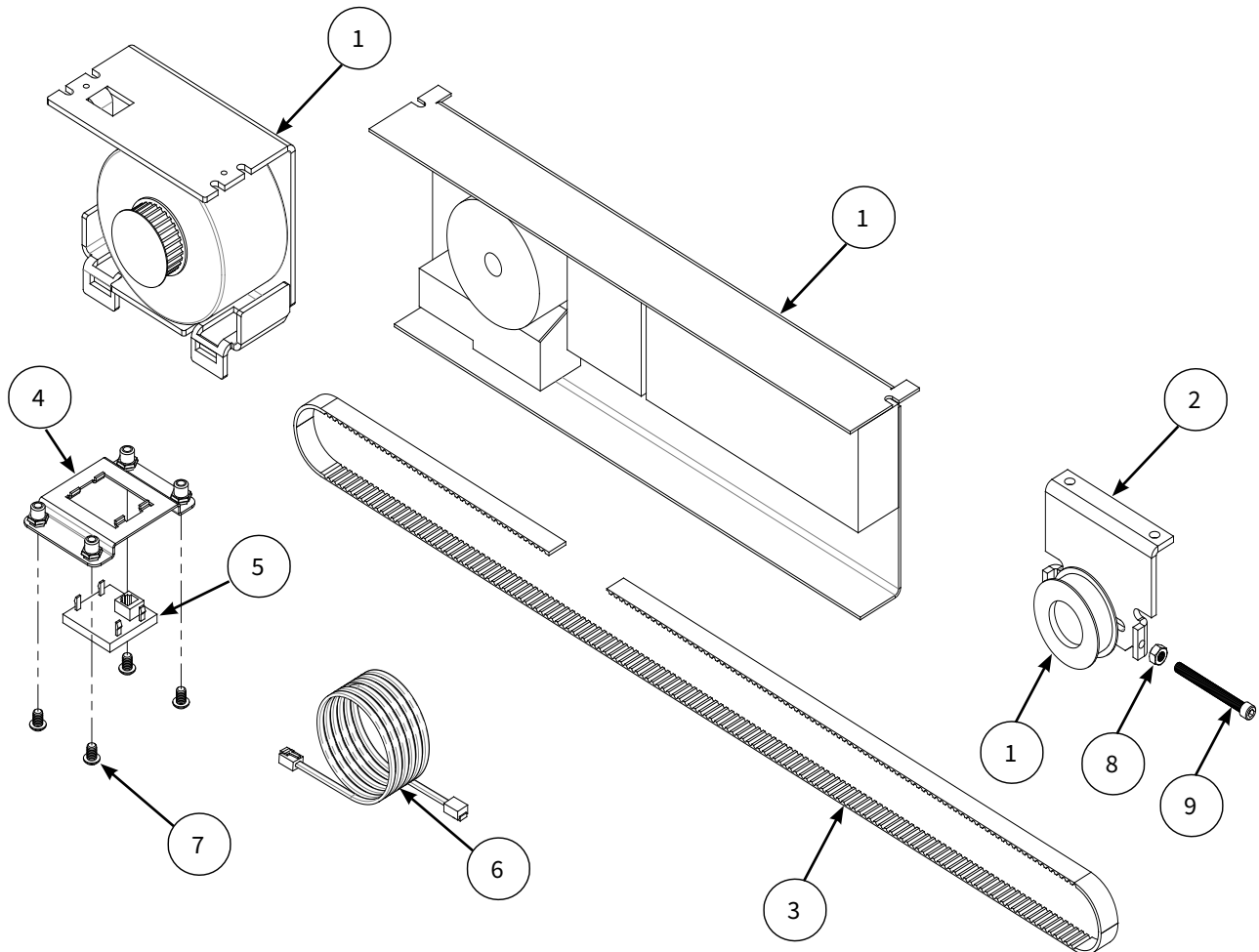
Operators

24B0442NN, Drive & Controller, 2301

24B0443NN, Drive & Controller, 2401

When ordering parts, specify
Job Number, Door Number
and Manufacture Date

QTY	DESCRIPTION	PART #	ITEM #
1	OPERATOR, EXCEL, TORMAX 2301	-	-
1	OPERATOR, EXCEL, TORMAX 2401	-	-
-	DRIVE SYSTEM, MOTOR AND CONTROLLER, TORMAX 2301	30D0036	1
1	DRIVE SYSTEM, MOTOR AND CONTROLLER, TORMAX 2401	30D0037	1
1	IDLER BRACKET, PULLEY, EXCEL	13B1181UB	2
-	DRIVE BELT, TORMAX TEP OPERATOR	50A120	3
1	DRIVE BELT, TORMAX TXP OPERATOR	50A132	3
1	ASM, BRKT, TOUCH PAD, 2301/2401 (Includes 23A0363)	24B0492NN	4
1	TOUCH PAD, CONTROLLER, 2301/2401	23A0363	5
1	CABLE, LIN BUS, 2301/2401, 10 FT	23A0371NN	6
4	SCREW, 1/4-20 X .375 BH	41A699	7
1	NUT, 1/4-28 HEX, SS	41A796	8
1	SCREW, 1/4-28 X 2.500, SHCS , FT, SS	41A795	9



Header Assembly

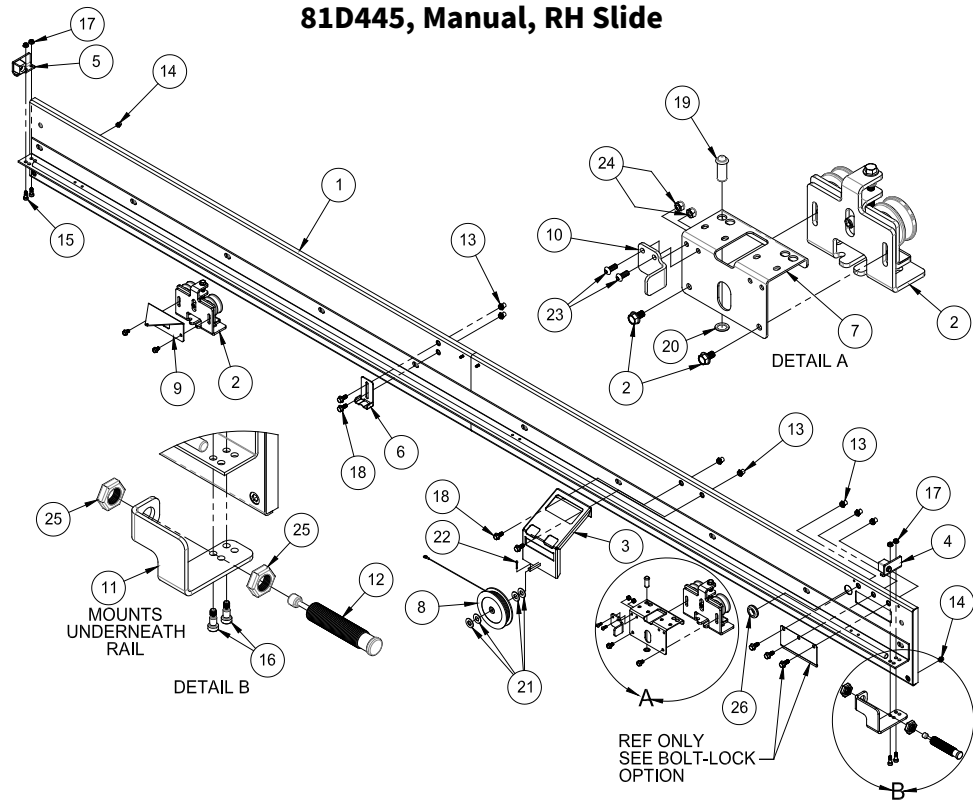
81D445, Manual, RH Slide, & 81D446, Manual, LH Slide

								DESCRIPTION	PART #	ITEM #
-	-	-	-	-	-	-	1	HEADER ASM, MANUAL RH SLIDE, 1240, STD, WIC <= 60	81D445F1	-
-	-	-	-	-	-	-	1	HEADER ASM, MANUAL RH SLIDE, 1240, AES, WIC <= 60	81D445F2	-
-	-	-	-	-	-	1	-	HEADER ASM, MANUAL RH SLIDE, 1240, STD, WIC > 60	81D445F3	-
-	-	-	-	1	-	-	-	HEADER ASM, MANUAL RH SLIDE, 1240, AES, WIC > 60	81D445F4	-
-	-	-	1	-	-	-	-	HEADER ASM, MANUAL LH SLIDE, 1240, STD, WIC <= 60	81D446F1	-
-	-	1	-	-	-	-	-	HEADER ASM, MANUAL LH SLIDE, 1240, AES, WIC <= 60	81D446F2	-
-	1	-	-	-	-	-	-	HEADER ASM, MANUAL LH SLIDE, 1240, STD, WIC > 60	81D446F3	-
1	-	-	-	-	-	-	-	HEADER ASM, MANUAL LH SLIDE, 1240, AES, WIC > 60	81D446F4	-
-	-	-	-	-	-	-	1	WELDMT, 1 PC HEADER, STD, MAN, RH SLIDE, WIC <= 60	28B219RF	1
-	-	-	-	-	-	-	1	WELDMT, 1 PC HEADER, AES, MAN, RH SLIDE, WIC <= 60	28B239RF	1
-	-	-	-	-	-	1	-	WELDMT, HEADER, STD, RH SLIDE, MAN, WIC > 60	28B194RF	1
-	-	-	-	1	-	-	-	WELDMT, HEADER, AES, RH SLIDE, MAN, WIC > 60	28B240RF	1
-	-	-	1	-	-	-	-	WELDMT, 1 PC HEADER, STD, MAN, LH SLIDE, WIC <= 60	28B218LF	1
-	-	1	-	-	-	-	-	WELDMT, 1 PC HEADER, AES, MAN, LH SLIDE, WIC <= 60	28B243UF	1
-	1	-	-	-	-	-	-	WELDMT, HEADER, STD, LH SLIDE, MAN, WIC > 60	28B195LF	1
1	-	-	-	-	-	-	-	WELDMT, HEADER, AES, LH SLIDE, MAN, WIC > 60	28B244LF	1
2	2	2	2	2	2	2	2	TROLLEY ASSEMBLY, TRAILING EDGE	24B199	2
1	1	1	1	1	1	1	1	WELDMT, MTG, CABLE/IDLER, MANUAL EXCEL	28B0272NN20	3
1	1	1	1	1	1	1	1	ENDSTOP, RIGHT HAND, EXCEL	24B224	4
1	1	1	1	1	1	1	1	ENDSTOP, LEFT HAND ASSY, EXCEL	24B223	5
1	1	1	1	1	1	1	1	DETENT BRKT, HEADER, MANUAL, ALL	13B1029	6
1	1	1	1	1	1	1	1	BRKT, DETENT/STOP, MAN EXCEL DOORS	13B1807NN20	7
1	1	1	1	1	1	1	1	REEL, CABLE	16A042	8
1	1	1	1	1	1	1	1	CABLE RETURN BRACKET	13B1201UB	9
-	-	-	-	1	1	1	1	SHOCK ABSORBER STOP, RH, MAN, EXCEL	13B1816RN20	10
1	1	1	1	-	-	-	-	SHOCK ABSORBER STOP, LH, MAN, EXCEL	13B1816LN20	10
-	-	-	-	1	1	1	1	SHOCK MOUNT, RH, MAN, EXCEL DOOR	13B1817RN20	11
1	1	1	1	-	-	-	-	SHOCK MOUNT, LH, MAN EXCEL DOOR	13B1817LN20	11
1	1	1	1	1	1	1	1	SHOCK ABSORBER, MANUAL PHARMECEUTICAL DOOR	16A020	12
7	7	7	7	7	7	7	7	INSERT, HEX, 3/8-16, GRIP RANGE .027-.150	41A788	13
2	2	2	2	2	2	2	2	INSERT, HEX, 1/4-20, GRIP RANGE .027-.165	41A784	14
2	2	2	2	2	2	2	2	SCREW, 3/8 X 3/8 SHSS SS	41A670	15
2	2	2	2	2	2	2	2	SCREW, 3/8 X 1/2 SHSS SS	41A697	16
4	4	4	4	4	4	4	4	NUT, 5/16 WHIZLOCK, SS	41A712	17
4	4	4	4	4	4	4	4	SCREW, 3/8 X 1.00 HEX HEAD, WHIZLOCK, SS	41A793	18
1	1	1	1	1	1	1	1	SPRING PLUNGER, MANUAL DOORS	49B007	19
1	1	1	1	1	1	1	1	PUSH NUT, .500" I.D., McM # 97200A450	41A865	20
4	4	4	4	4	4	4	4	WASHER, FLAT, 1/2, S/S	41A516	21
1	1	1	1	1	1	1	1	PIN, COTTER, .125 X 1.00, ZN	41A399	22
2	2	2	2	2	2	2	2	SCREW, 1/4-20 x .625, BHS, S/S	41A535	23
2	2	2	2	2	2	2	2	NYLON INSERT LOCKNUT, 1/4-20 UNC	41A639	24
2	2	2	2	2	2	2	2	1-12 JAM NUT	41A081	25
1	1	1	1	1	1	1	1	GROMMET, .875 ID	11A086	26
-	-	-	-	A/R	A/R	A/R	A/R	OPTION, LOCK, PIN-BOLT, 1240, RH, NO BOLT LOCK	55B0108F1	27
A/R	A/R	A/R	A/R	-	-	-	-	OPTION, LOCK, PIN-BOLT, 1240, LH, NO BOLT LOCK	55B0108F2	27
-	-	-	-	A/R	A/R	A/R	A/R	OPTION, LOCK, PIN-BOLT, 1240, RH, BOLT LOCK	55B0108F3	27
A/R	A/R	A/R	A/R	-	-	-	-	OPTION, LOCK, PIN-BOLT, 1240, LH, BOLT LOCK	55B0108F4	27

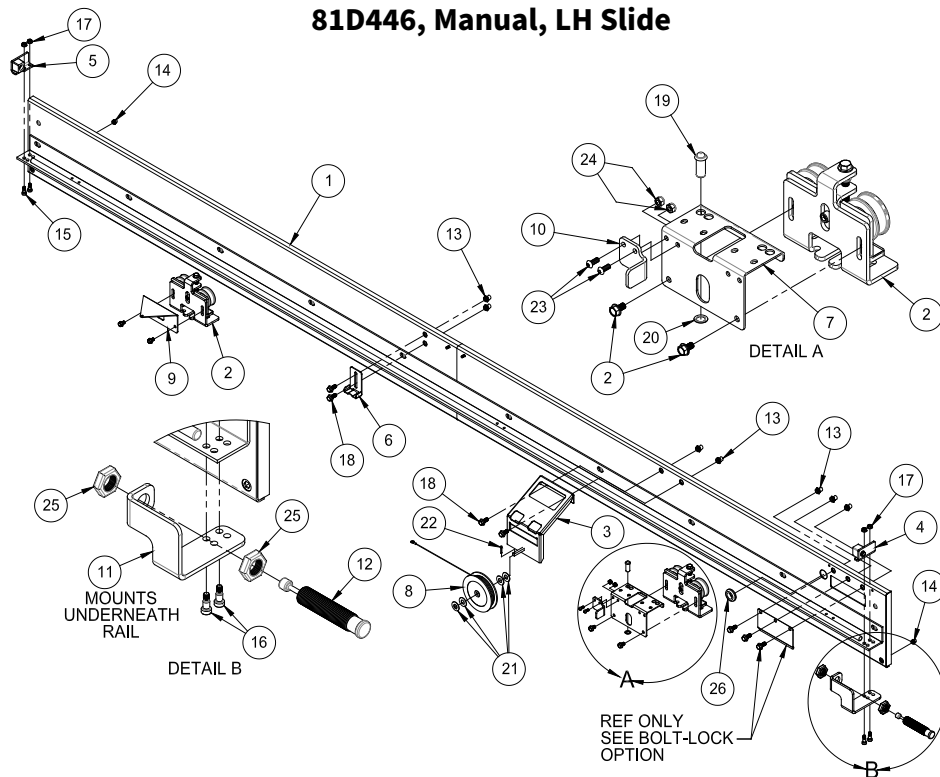
When ordering parts, specify Job Number, Door Number and Manufacture Date

**When ordering parts, specify
Job Number, Door Number and
Manufacture Date**

81D445, Manual, RH Slide



81D446, Manual, LH Slide



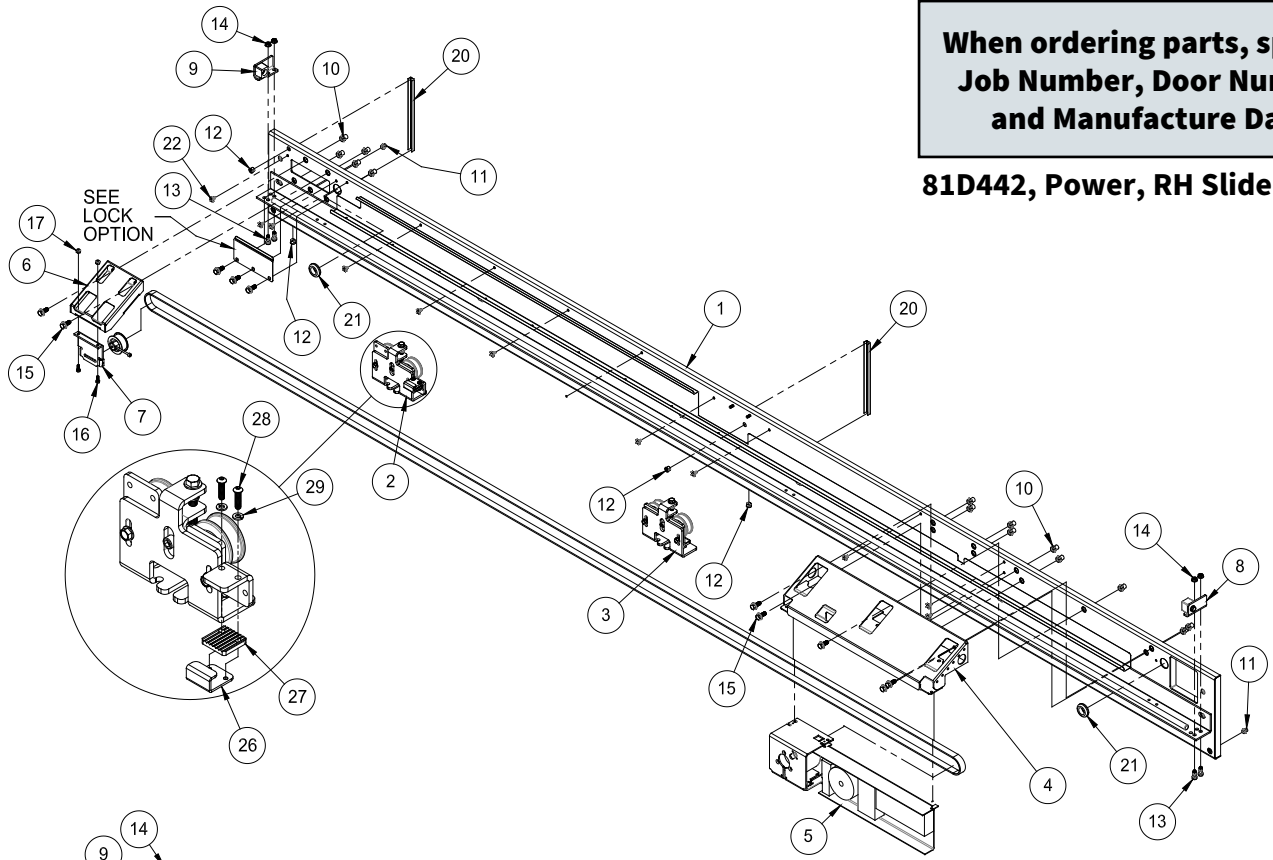
81D442, Power, RH, & 81D443, Power, LH

									DESCRIPTION	PART #	ITEM #
-	-	-	-	-	-	-	1	-	HEADER ASM, PWR RH SLIDE, 1250, STD, WIC <= 60	81D442F1	-
-	-	-	-	-	-	1	-	-	HEADER ASM, PWR RH SLIDE, 1250, AES, WIC <= 60	81D442F2	-
-	-	-	-	-	1	-	-	-	HEADER ASM, PWR RH SLIDE, 1250, STD, WIC > 60	81D442F3	-
-	-	-	-	1	-	-	-	-	HEADER ASM, PWR LH SLIDE, 1250, AES, WIC > 60	81D442F4	-
-	-	-	1	-	-	-	-	-	HEADER ASM, PWR LH SLIDE, 1250, STD, WIC <= 60	81D443F1	-
-	-	1	-	-	-	-	-	-	HEADER ASM, PWR LH SLIDE, 1250, AES, WIC <= 60	81D443F2	-
-	1	-	-	-	-	-	-	-	HEADER ASM, PWR LH SLIDE, 1250, STD, WIC > 60	81D443F3	-
1	-	-	-	-	-	-	-	-	HEADER ASM, PWR LH SLIDE, 1250, AES, WIC > 60	81D443F4	-
-	-	-	-	-	-	-	1	-	WELDMT, 1 PC HEADER, STD, PWR, RH SLIDE, WIC <= 60	28B216RF	1
-	-	-	-	-	-	1	-	-	WELDMT, 1 PC HEADER, AES, PWR, RH SLIDE, WIC <= 60	28B237RF	1
-	-	-	-	-	1	-	-	-	WELDMT, HEADER, STD, RH SLIDE, PWR, WIC > 60	28B199RF	1
-	-	-	-	1	-	-	-	-	WELDMT, HEADER, AES, RH SLIDE, PWR, WIC > 60	28B238RF	1
-	-	-	1	-	-	-	-	-	WELDMT, 1 PC HEADER, STD, PWR, LH SLIDE, WIC <= 60	28B215LF	1
-	-	1	-	-	-	-	-	-	WELDMT, 1 PC HEADER, AES, PWR, LH SLIDE, WIC <= 60	28B241UF	1
-	1	-	-	-	-	-	-	-	WELDMT, HEADER, STD, LH SLIDE, PWR, WIC > 60	28B198LF	1
1	-	-	-	-	-	-	-	-	WELDMT, HEADER, AES, LH SLIDE, PWR, WIC > 60	28B242UF	1
-	-	-	-	1	1	1	1	1	TROLLEY ASSEMBLY, RH, LEAD EDGE	24B198	2
1	1	1	1	-	-	-	-	-	TROLLEY ASSEMBLY, LH, LEAD EDGE	24B197	2
1	1	1	1	1	1	1	1	1	TROLLEY ASSEMBLY, TRAILING EDGE	24B199	3
1	1	1	1	1	1	1	1	1	WELDMT, OPERATOR MOUNT, 2301/2401 TORMAX	28B0263NN20	4
A/R	A/R	A/R	A/R	A/R	A/R	A/R	A/R	A/R	DRIVE OPTION, EXCEL, < 72" WIC, NO WASHDOWN	55B823F1	5
A/R	A/R	A/R	A/R	A/R	A/R	A/R	A/R	A/R	DRIVE OPTION, EXCEL, < 72" WIC, WITH WASHDOWN	55B823F2	5
A/R	A/R	-	-	A/R	A/R	-	-	-	DRIVE OPTION, EXCEL, >= 72" WIC, NO WASHDOWN	55B823F3	5
A/R	A/R	-	-	A/R	A/R	-	-	-	DRIVE OPTION, EXCEL, >= 72" WIC, WITH WASHDOWN	55B823F4	5
1	1	1	1	1	1	1	1	1	WELDMT, IDLER, EXCEL	28B157	6
1	1	1	1	1	1	1	1	1	IDLER BRACKET, PULLEY, EXCEL	13B1181UB	7
1	1	1	1	1	1	1	1	1	ENDSTOP, RIGHT HAND, EXCEL	24B224	8
1	1	1	1	1	1	1	1	1	ENDSTOP, LEFT HAND ASSY, EXCEL	24B223	9
13	13	13	13	13	13	13	13	13	INSERT, HEX, 3/8-16, GRIP RANGE .027-.150	41A788	10
2	2	2	2	2	2	2	2	2	INSERT, HEX, 1/4-20, GRIP RANGE .027-.165	41A784	11
4	4	4	4	4	4	4	4	4	GROMMET, .375" I.D.	11A128	12
4	4	4	4	4	4	4	4	4	SCREW, 3/8 X 3/8 SHSS SS	41A670	13
4	4	4	4	4	4	4	4	4	NUT, 5/16 WHIZLOCK, SS	41A712	14
7	7	7	7	7	7	7	7	7	SCREW, 3/8 X 1.00 HEX HEAD, WHIZLOCK, SS	41A793	15
8	8	8	8	8	8	8	8	8	SCREW, 1/4-20 x .625, HHMS, SS	41A303	16
8	8	8	8	8	8	8	8	8	NYLON INSERT LOCKNUT, 1/4-20 UNC	41A639	17
2	2	2	2	2	2	2	2	2	PHOTOEYE, TORMAX # US801343	23A367	18
1	1	1	1	1	1	1	1	1	CABLE, EXT, PHOTOEYE, AWG26, 3 METER	23A372	19
2	2	2	2	2	2	2	2	2	CHANNEL, COVER, PHOTOEYE WIRES	13B1805NN20	20
2	2	2	2	2	2	2	2	2	GROMMET, .875 ID	11A086	21
A/R	A/R	A/R	A/R	A/R	A/R	A/R	A/R	A/R	BASE, TY-RAP, CABLE TIE MOUNT, 1/4" Ø	22A0285	22
A/R	A/R	A/R	A/R	A/R	A/R	A/R	A/R	A/R	CABLE TIE, TY-RAP, 3.50" LONG	22A109-1	23
A/R	A/R	A/R	A/R	A/R	A/R	A/R	A/R	A/R	TAPE, ALUMINUM, 2" WIDE	10A015	24
-	-	-	-	A/R	A/R	A/R	A/R	A/R	OPTION, LOCK, PIN-BOLT, 1250, RH SLIDE, NO BOLT LOCK	55B0109F1	25
A/R	A/R	A/R	A/R	-	-	-	-	-	OPTION, LOCK, PIN-BOLT, 1250, LH SLIDE, NO BOLT LOCK	55B0109F2	25
-	-	-	-	A/R	A/R	A/R	A/R	A/R	OPTION, LOCK, PIN-BOLT, 1250, RH SLIDE, BOLT LOCK	55B0109F3	25
A/R	A/R	A/R	A/R	-	-	-	-	-	OPTION, LOCK, PIN-BOLT, 1250, LH SLIDE, BOLT LOCK	55B0109F4	25
1	1	1	1	1	1	1	1	1	BELT CLAMP, TROLLEY, BI-PART / SINGLE SLIDE	13B1063	26
1	1	1	1	1	1	1	1	1	BELT LOCK, TROLLEY, BI-PART / SINGLE	14B148	27
2	2	2	2	2	2	2	2	2	1/4-20 X 1.000 BUTTONHEAD SCREW	41A757	28
2	2	2	2	2	2	2	2	2	WASHER, LOCK, 1/4, REG SPLIT, SS	41A129	29

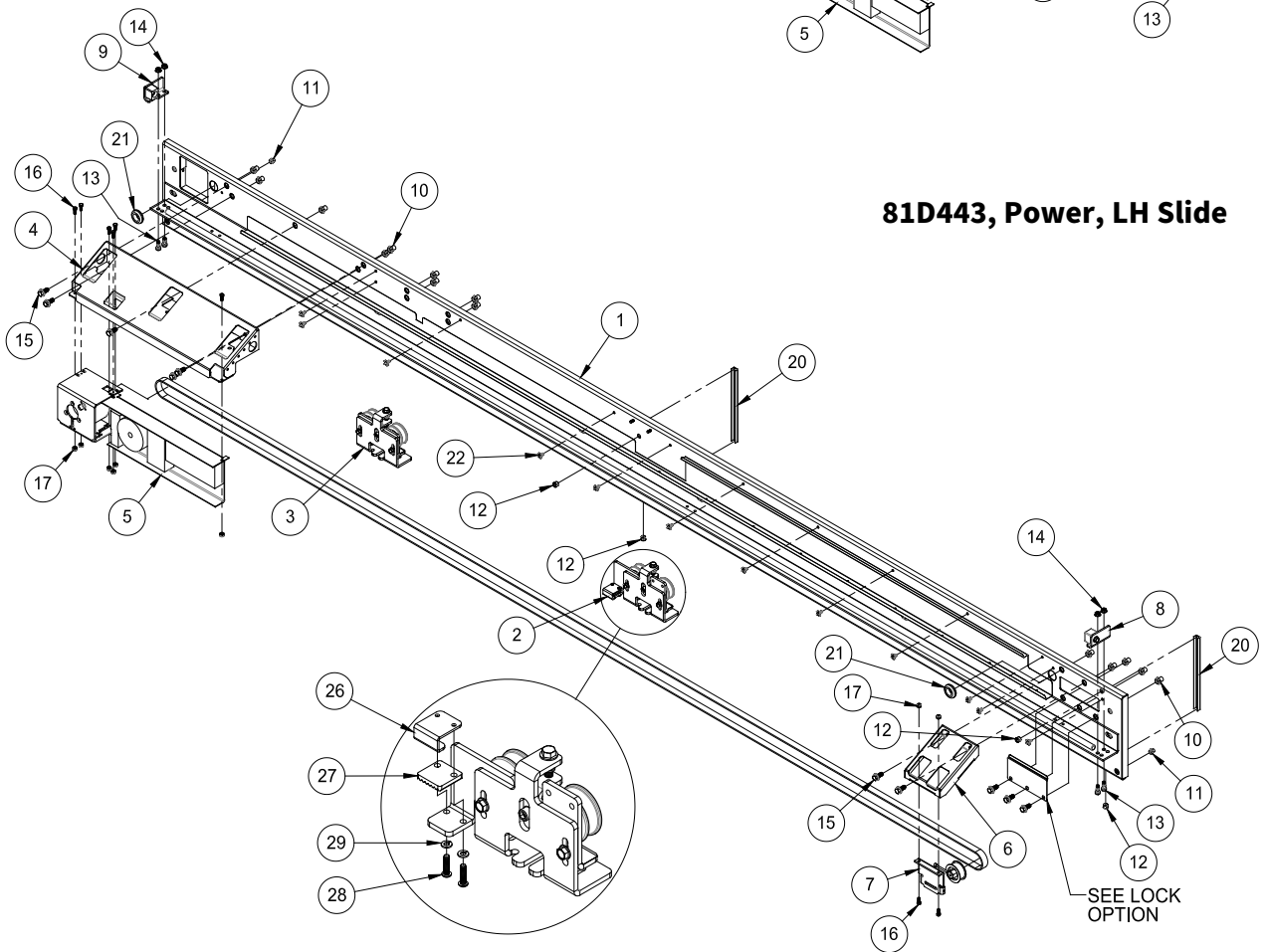
REPLACEMENT PARTS

**When ordering parts, specify
Job Number, Door Number
and Manufacture Date**

81D442, Power, RH Slide



81D443, Power, LH Slide



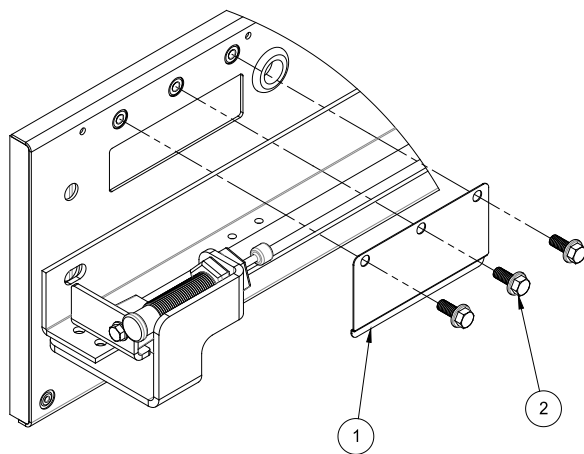
**REPLACEMENT
PARTS**

Option , Lock, Manual, RH/LH

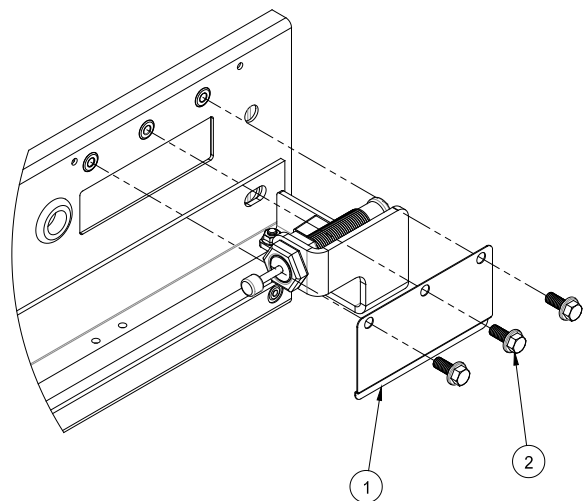
55B0108, Lock Assembly, RH/LH, Manual, Single Slide

**When ordering parts, specify
Job Number, Door Number and
Manufacture Date**

F4	F3	F2	F1	DESCRIPTION	PART #	ITEM #
-	-	-	1	OPTION, LOCK, PIN-BOLT, 1240, RH SLIDE, NO BOLT LOCK	55B0108F1	-
-	-	1	-	OPTION, LOCK, PIN-BOLT, 1240, LH SLIDE, NO BOLT LOCK	55B0108F2	-
-	1	-	-	OPTION, LOCK, PIN-BOLT, 1240, RH SLIDE, BOLT LOCK	55B0108F3	-
1	-	-	-	OPTION, LOCK, PIN-BOLT, 1240, LH SLIDE, BOLT LOCK	55B0108F4	-
-	-	1	1	COVER, BOLT-LOCK CUTOUT, EXCEL	13B1809NN20	1
3	3	3	3	SCREW, 3/8 X 1.00 HEX HEAD, WHIZLOCK, SS	41A793	2
1	1	-	-	ASM, BOLT LOCK, 3/4" DIA., SDC 1190A	23A0376NN	3
-	1	-	-	BRACKET, BOLT LOCK, RH, EXCEL	13B1811RN20	4
1	-	-	-	BRACKET, BOLT LOCK, LH, EXCEL	13B1811LN20	5
1	1	-	-	CLIP, SENSOR, PINBOLT LOCK	13B1821NN20	6
2	2	-	-	SENSOR, MAGNETIC, GE 1145 SERIES	23A0375NN	7
2	2	-	-	SCREW, #10-24 x .50, PH FHMS, SS	41A141	8
2	2	-	-	10-24 WHZLK NUT, SS	41A716	9
2	2	-	-	BASE, TY-RAP, CABLE TIE MOUNT, 1/4" Ø	22A0285	10
-	1	-	-	BRACKET, LATCH, RH, BOLT LOCK, EXCEL	13B1823RN20	11
1	-	-	-	BRACKET, LATCH, LH, BOLT LOCK, EXCEL	13B1823LN20	12
1	1	-	-	MNTG BLK, SENSOR MAGNET, BOLT-LOCK, EXCEL	11B0059NN	13
1	1	-	-	ASM, MAGNET & SCREW, REED SWITCH	23A283-2	14
1	1	-	-	SCREW, 1/4-20 X .750, PHL FHMS, SS	41A657	15
3	3	-	-	NYLON INSERT LOCKNUT, 1/4-20 UNC	41A639	16
2	2	-	-	SCREW, 1/4-20 x .625, HHMS, SS	41A303	17
2	2	-	-	WASHER, LOCK, 1/4, REG SPLIT, SS	41A129	18
2	2	-	-	CABLE TIE, TY-WRAP, 3.50" LONG	22A109-1	19
2	2	-	-	SCREW, #10-24 x .625, PHMS, SS	41A883	20

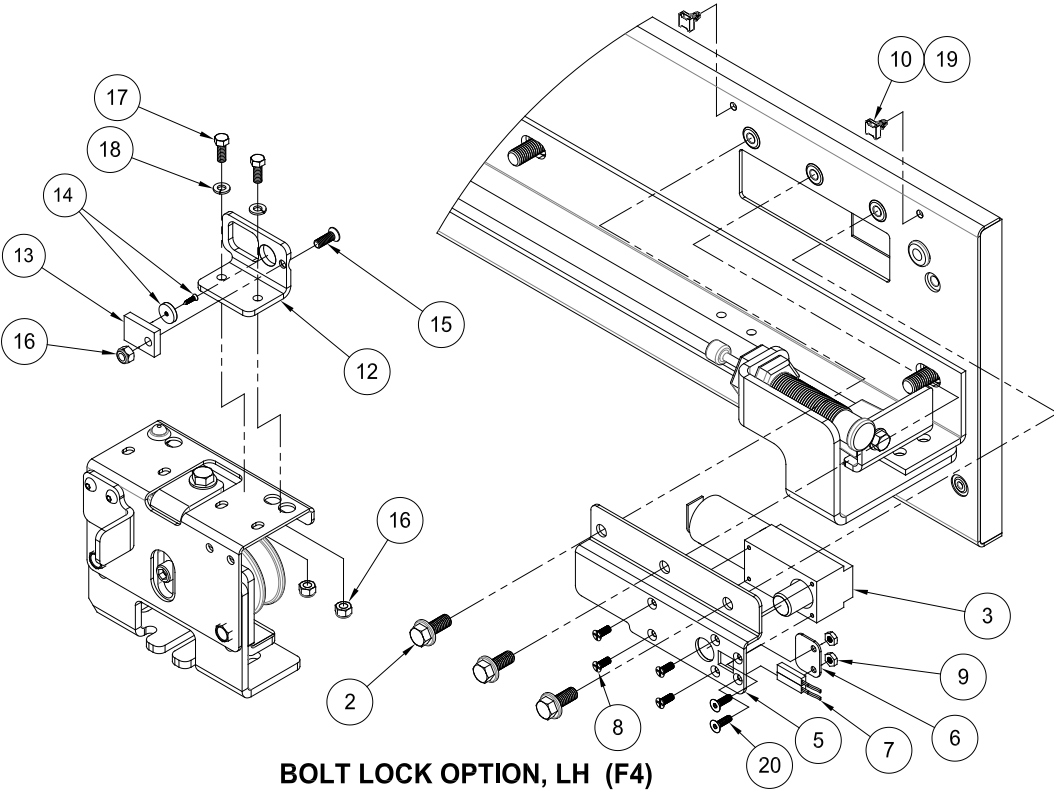
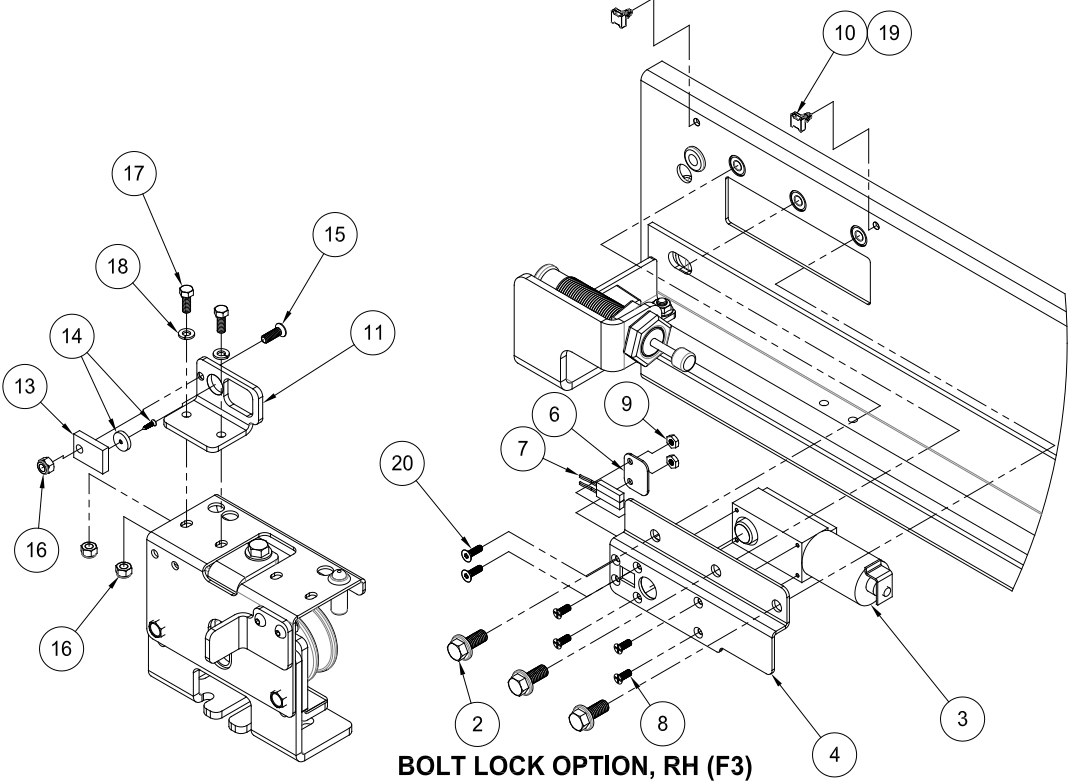


NO-BOLT LOCK OPTION, RH (F1)



NO-BOLT LOCK OPTION, LH (F2)

**55B0108, Lock Assembly,
RH/LH, Manual, Single Slide**

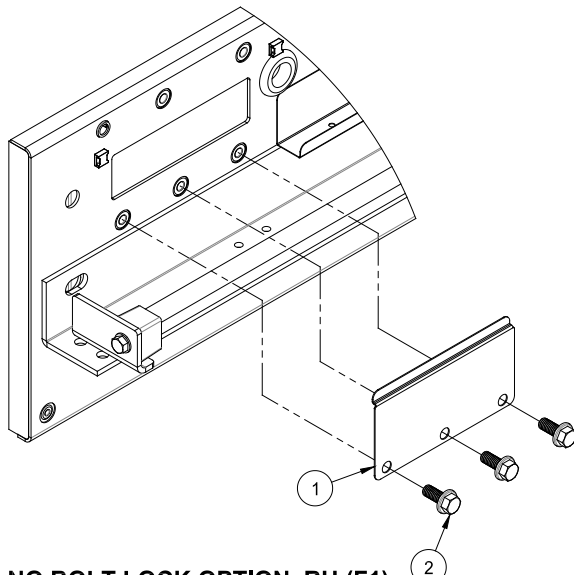


REPLACEMENT PARTS

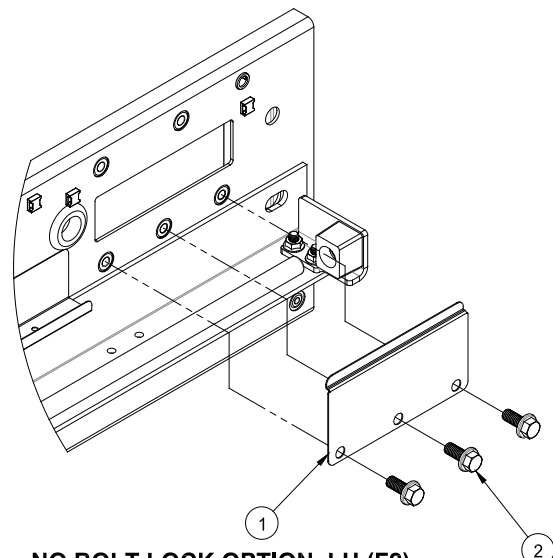
**When ordering parts, specify
Job Number, Door Number and
Manufacture Date**

55B0109, Lock Assembly, RH/LH, Power, Single Slide

F4	F3	F2	F1	DESCRIPTION	PART #	ITEM #
-	-	-	1	OPTION, LOCK, PIN-BOLT, 1250, RH SLIDE, NO BOLT LOCK	55B0109F1	-
-	-	1	-	OPTION, LOCK, PIN-BOLT, 1250, LH SLIDE, NO BOLT LOCK	55B0109F2	-
-	1	-	-	OPTION, LOCK, PIN-BOLT, 1250, RH SLIDE, BOLT LOCK	55B0109F3	-
1	-	-	-	OPTION, LOCK, PIN-BOLT, 1250, LH SLIDE, BOLT LOCK	55B0109F4	-
-	-	1	1	COVER, BOLT-LOCK CUTOUT, EXCEL	13B1809NN20	1
3	3	3	3	SCREW, 3/8 X 1.00 HEX HEAD, WHIZLOCK, SS	41A793	2
1	1	-	-	ASM, BOLT LOCK, 3/4" DIA., SDC 1190A	23A0376NN	3
1	-	-	-	BRACKET, BOLT-LOCK, RH, EXCEL	13B1811RN20	4
-	1	-	-	BRACKET, BOLT-LOCK, LH, EXCEL	13B1811LN20	5
1	1	-	-	BRKT, DETENT/STOP, PWR EXCEL DOORS	13B1808NN20	6
-	1	-	-	BRACKET, LATCH, RH, BOLT LOCK, EXCEL	13B1823RN20	7
1	-	-	-	BRACKET, LATCH, LH, BOLT LOCK, EXCEL	13B1823LN20	8
1	1	-	-	SENSOR, MAGNETIC, GE 1145 SERIES	23A0375NN	9
1	1	-	-	MNTG BLK, SENSOR MAGNET, BOLT-LOCK, EXCEL	11A0059NN	10
1	1	-	-	CLIP, SENSOR, PINBOLT LOCK	13B1821NN	11
1	1	-	-	ASM, MAGNET & SCREW, REED SWITCH	23A283	12
1	1	-	-	SCREW, 1/4-20 X .750, PHL FHMS, SS	41A657	13
2	2	-	-	SCREW, #10-24 X .625, FHMS, SS, ALLEN HEAD	41A883	14
2	2	-	-	10-24 WHZLK NUT, SS	41A716	15
1	1	-	-	NYLON INSERT LOCKNUT, 1/4-20 UNC	41A639	16
2	2	-	-	SCREW, 1/4-20 X .625, HHMS, SS	41A303	17
2	2	-	-	BASE, TY-RAP, CABLE TIE MOUNT, 1/4" Ø	22A0285	18
2	2	-	-	WASHER, LOCK, 1/4, REG SPLIT, SS	41A129	19
4	4	-	-	SCREW, #10-24 X .50, PH FHMS, SS	41A141	20



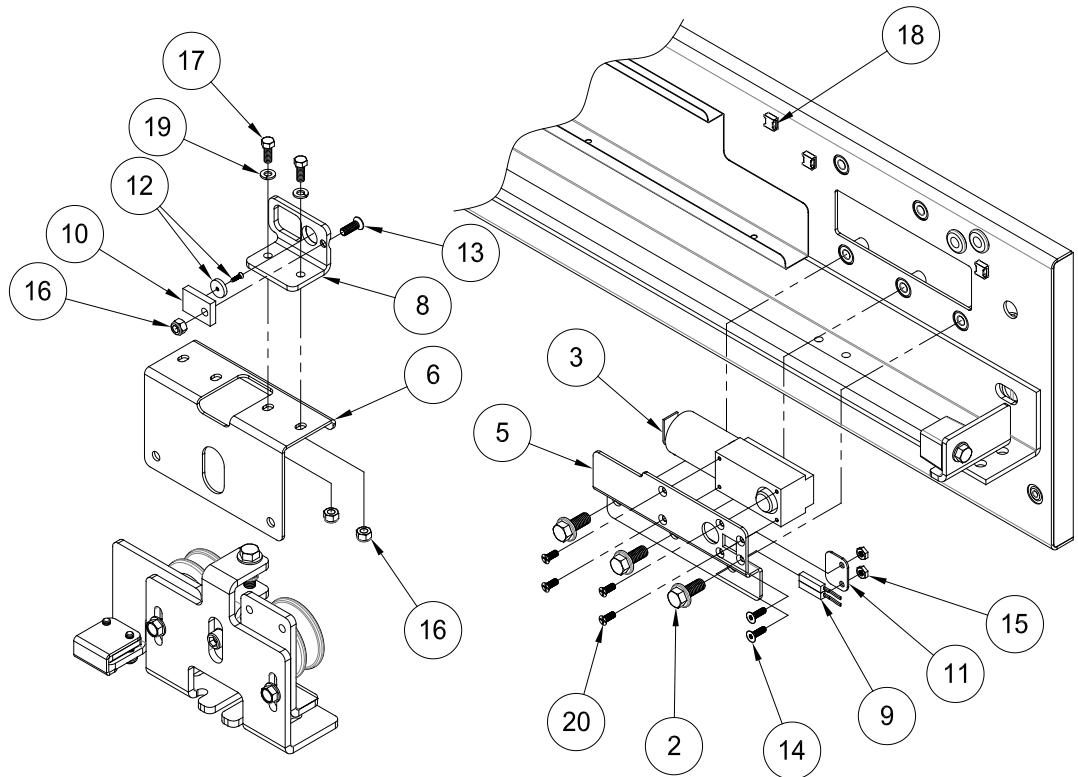
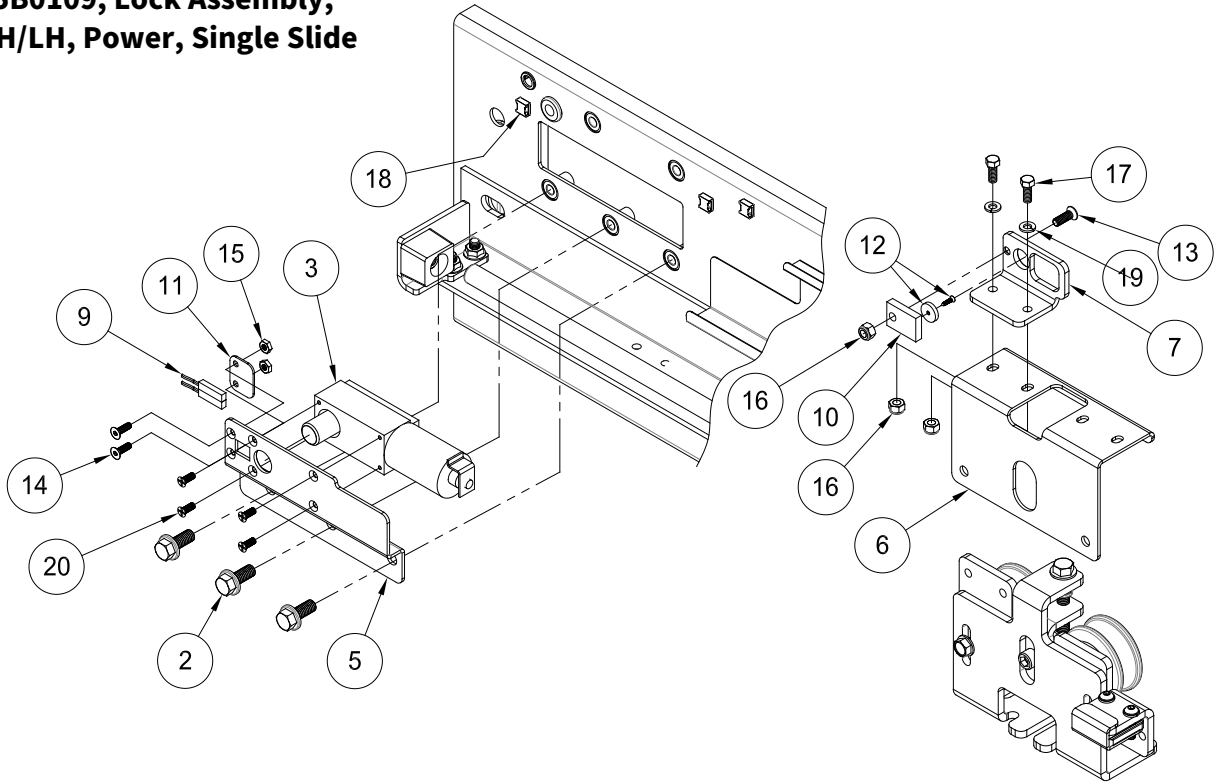
**NO BOLT LOCK OPTION, RH (F1)
(DRIVE COMPONENTS HIDDEN FOR CLARITY)**



**NO BOLT LOCK OPTION, LH (F2)
(DRIVE COMPONENTS HIDDEN FOR CLARITY)**

Option, Lock, Manual RH/LH Continued

55B0109, Lock Assembly, RH/LH, Power, Single Slide

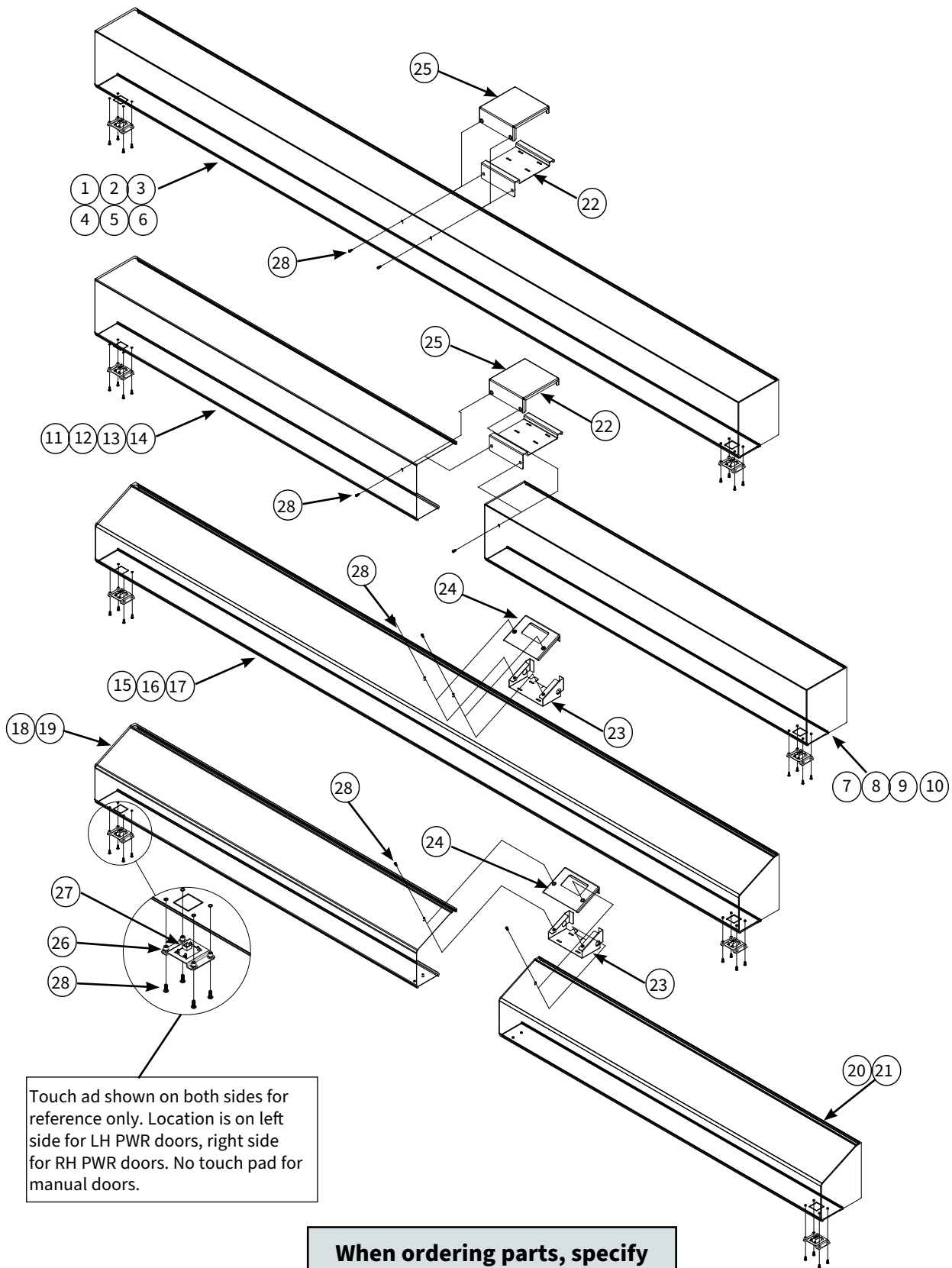


BOLT LOCK OPTION, LH (F4)
DRIVE COMPONENTS HIDDEN FOR CLARITY)

Shrouds

SHROUD ASSEMBLIES	PART#
SHROUD, PWR, LH CUTOUT, EXCEL, 0 DEG, <=5'	55B0844F1
SHROUD, PWR, LH CUTOUT, LXP, 0 DEG <=5'	55B0844F2
SHROUD, PWR, RH CUTOUT, EXCEL, 0 DEG <=5'	55B0844F3
SHROUD, PWR, RH CUTOUT, LXP, 0 DEG <=5'	55B0844F4
SHROUD, MANUAL, NO CUTOUT, EXCEL, 0 DEG <=5'	55B0844F5
SHROUD, MANUAL, NO CUTOUT, LXP, 0 DEG <=5'	55B0844F6
SHROUD, PWR, LH CUTOUT, EXCEL, 0 DEG, >5'	55B0844F7
SHROUD, PWR, LH CUTOUT, LXP, 0 DEG, >5'	55B0844F8
SHROUD, PWR, RH CUTOUT, EXCEL, 0 DEG, >5'	55B0844F9
SHROUD, PWR, RH CUTOUT, LXP, 0 DEG, >5'	55B0844F10
SHROUD, MANUAL, NO CUTOUT, EXCEL, 0 DEG, >5'	55B0844F11
SHROUD, MANUAL, NO CUTOUT, LXP, 0 DEG, >5'	55B0844F12
SHROUD, PWR, LH CUTOUT, EXCEL/LXP, 25 DEG, <=5'	55B0844F13
SHROUD, PWR, RH CUTOUT, EXCEL/LXP, 25 DEG <=5'	55B0844F14
SHROUD, MANUAL, NO CUTOUT, EXCEL/LXP, 25 DEG <=5'	55B0844F15
SHROUD, PWR, LH CUTOUT, EXCEL/LXP, 25 DEG, >5'	55B0844F16
SHROUD, PWR, RH CUTOUT, EXCEL/LXP, 25 DEG >5'	55B0844F17
SHROUD, MANUAL, NO CUTOUT, EXCEL/LXP, 25 DEG >5'	55B0844F18

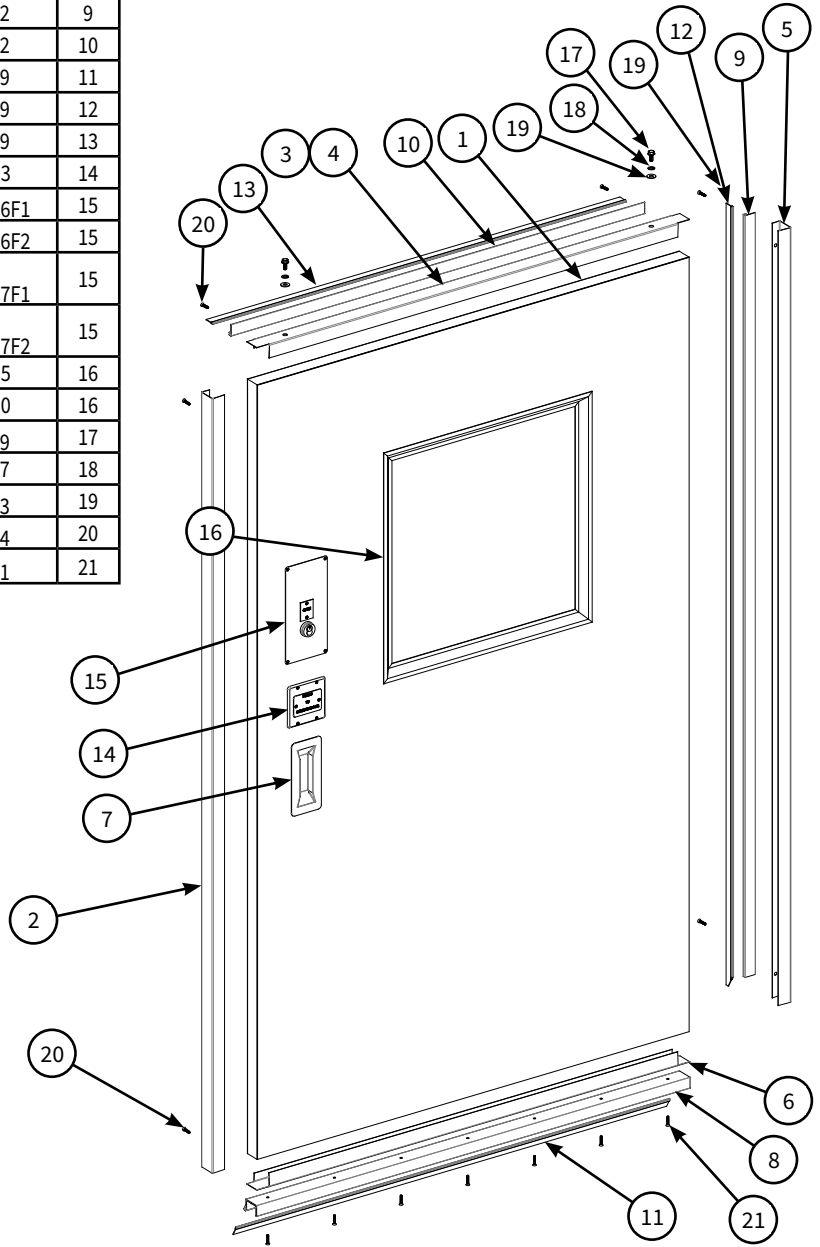
SHROUD PARTS	PART#	ITEM #
WLDMT, SHROUD, 0 DEG, NO CUTOUT, EXCEL, <= 5'	28B0380NV	1
WLDMT, SHROUD, 0 DEG, NO CUTOUT, LXP, <= 5'	28B0376NV	2
WLDMT, SHROUD, 0 DEG, RH CUTOUT, EXCEL, <= 5'	28B0379RV	3
WLDMT, SHROUD, 0 DEG, RH CUTOUT, LXP, <= 5'	28B0375RV	4
WLDMT, SHROUD, 0 DEG, LH CUTOUT, EXCEL, <= 5'	28B0379LV	5
WLDMT, SHROUD, 0 DEG, LH CUTOUT, LXP, <= 5'	28B0375LV	6
WLDMT, SHROUD, 0 DEG, RH CUTOUT, EXCEL, WIC >5'	28B0381RV	7
WLDMT, SHROUD, 0 DEG, RH CUTOUT, EXCEL, WIC >5'	28B0377RV	8
WLDMT, SHROUD, 0 DEG, RH, NO CUTOUT, EXCEL, WIC >5'	28B0382RV	9
WLDMT, SHROUD, 0 DEG, RH, NO CUTOUT, LXP, WIC >5'	28B0378RV	10
WLDMT, SHROUD, 0 DEG, LH CUTOUT, EXCEL, WIC >5'	28B0381LV	11
WLDMT, SHROUD, 0 DEG, LH CUTOUT, LXP, WIC >5'	28B0377LV	12
WLDMT, SHROUD, 0 DEG, LH, NO CUTOUT, EXCEL, WIC >5'	28B0382LV	13
WLDMT, SHROUD, 0 DEG, LH, NO CUTOUT, LXP, WIC >5'	28B0378LV	14
WLDMT, SHROUD, 25 DEG, LH CUTOUT, WIC <=5'	28B0371LV	15
WLDMT, SHROUD, 25 DEG, RH CUTOUT, WIC <=5'	28B0371RV	16
WLDMT, SHROUD, 25 DEG, MANUAL, WIC <=5'	28B0374NV	17
WLDMT, SHROUD, 25 DEG, LH, NO CUTOUT, WIC >5'	28B0373LV	18
WLDMT, SHROUD, 25 DEG, PWR, LH CUTOUT, WIC >5'	28B0372LV	19
WLDMT, SHROUD, 25 DEG, PWR, RH CUTOUT, WIC >5'	28B0372RV	20
WLDMT, SHROUD, 25 DEG, RH, NO CUTOUT, WIC >5'	28B0373RV	21
SUPPORT, CENTER, SHROUD, 0 DEG, LXP	13B1832NN	22
SUPPORT, SHROUD, 25 DEG, LXP	13B1833NN	23
SUPPORT, SHROUD, 25 DEG, EXCEL	13B1834NN	24
SUPPORT, SHROUD, 0 DEG, EXCEL	13B2115NN	25
ASM, BRACKET, TOUCHPAD, 2301/2401	24B0492NN	26
TOUCHPAD, TORMAX	23A0363	27
SCREW, 1/4-20X .625, BU/HD, S/S	41A535	28



**When ordering parts, specify
Job Number, Door Number and
Manufacture Date**

Seamless Molded Door Panel Assembly

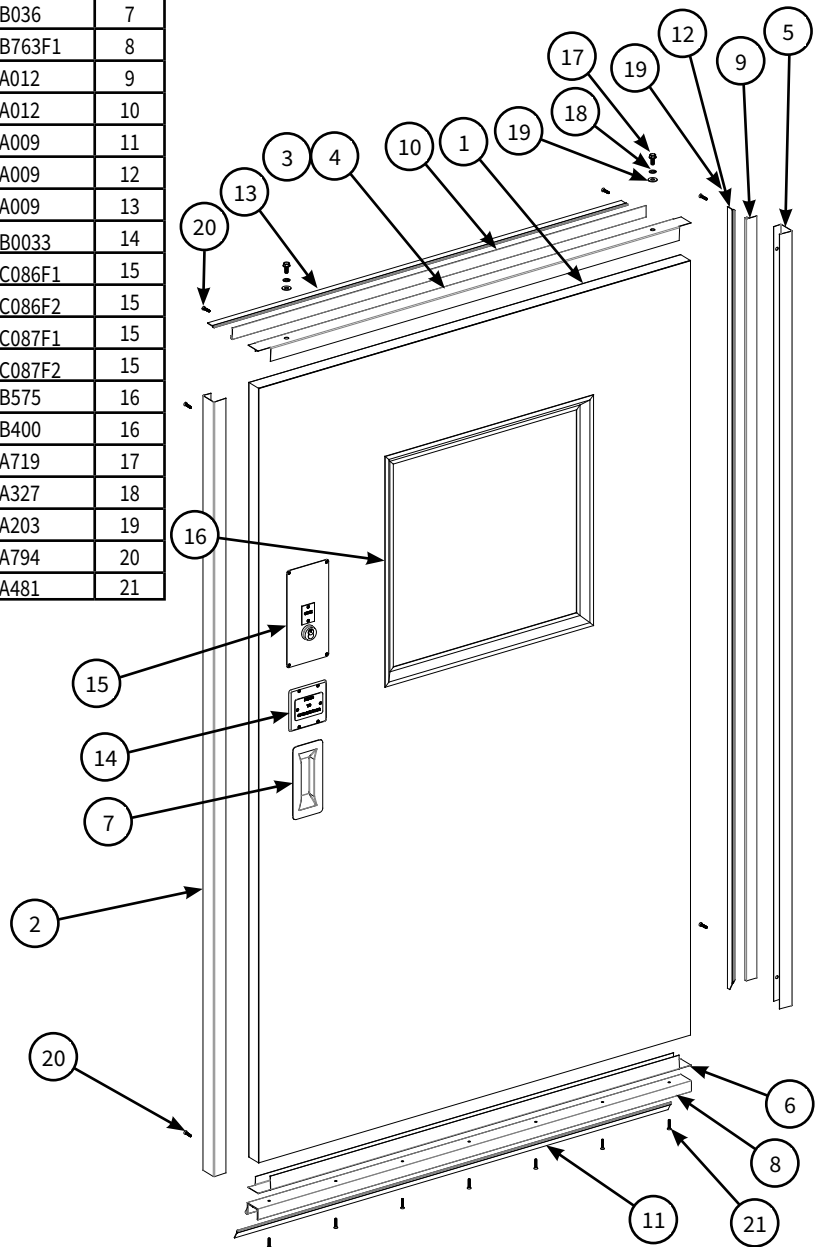
DESCRIPTION	PART #	ITEM #
Door Panel, 1-3/4", Molded Fiberglass, Excel	32C670F1	1
Door Panel, 1-3/4", Stainless, Excel, Wic <= 54"	32C671F1	1
Door Panel, 1-3/4", Stainless, Excel, Wic > 54"	32C671F3	1
Capping, Lead Edge	13B2122NV	2
Capping, Top	13C441	3
Capping, Top, Canebolt, Rh (Canebolt Option Only)	13B2123RV	4
Capping, Top, Canebolt, Lh (Canebolt Option Only)	13B2123LV	4
Capping, Trailing Edge	13C440	5
Capping, Bottom	13C442	6
Handle, Pull, Recessed	16B036	7
Extrusion, Guide Roller, (Wic + 5.00")	13B763F1	8
Retainer, Gasket, Side (Hic - 1.38")	44A012	9
Retainer, Gasket, Top (Wic + 3.75")	44A012	10
Gasket Seal Bottom (Wic + 5.00")	15A009	11
Gasket Seal, Side (Hic - 1.38")	15A009	12
Gasket Seal, Top (Wic + 1.38")	15A009	13
Push Plate Option	55B793	14
Canebolt Option, W/ Exit Indicator, Man	24C086F1	15
Canebolt Option, W/ Exit Indicator, Pwr	24C086F2	15
Canebolt Option, W/ Exit Indicator & Thumbturn, Man	24C087F1	15
Canebolt Option, W/ Exit Indicator & Thumbturn, Pwr	24C087F2	15
Window Option, 1-3/4" Fastenerless	55B575	16
Window Option, 1-3/4" Flush, Cleanview	55B400	16
Screw, Hhcs, 3/8"-16 X 2.25"	41A719	17
Washer, Lock, 3/8, Reg, Split, SS	41A327	18
Washer, Flat, 3/8"	41A203	19
Screw, #10 X 1.00", Ph, Fhms	41A794	20
Screw, #12 X 1.25", Ph, Fhms	41A481	21



**When ordering parts, specify
Job Number, Door Number and
Manufacture Date**

Laminated Door Panel Assembly

DESCRIPTION	PART #	ITEM #
Door Panel, 1-3/4", Fiberglass, Lxp	32B003F1	1
Capping, Lead Edge	13B2122NV	2
Capping, Top	13B756F1	3
Capping, Top, Canebolt, Rh (Canebolt Option Only)	13B2123RV	4
Capping, Top, Canebolt, Lh (Canebolt Option Only)	13B2123LV	4
Capping, Trailing Edge	13B758	5
Capping, Bottom	13B757F1	6
Handle, Pull, Recessed	16B036	7
Extrusion, Guide Roller, (Wic + 5.00")	13B763F1	8
Retainer, Gasket, Side (Hic - 1.38")	44A012	9
Retainer, Gasket, Top (Wic + 3.75")	44A012	10
Gasket Seal Bottom (Wic + 5.00")	15A009	11
Gasket Seal, Side (Hic - 1.38")	15A009	12
Gasket Seal, Top (Wic + 1.38")	15A009	13
Push Plate Option	55B0033	14
Canebolt Option, W/ Exit Indicator, Man	24C086F1	15
Canebolt Option, W/ Exit Indicator, Pwr	24C086F2	15
Canebolt Option, W/ Exit Indicator & Thumbturn, Man	24C087F1	15
Canebolt Option, W/ Exit Indicator & Thumbturn, Pwr	24C087F2	15
Window Option, 1-3/4" Fastenerless	55B575	16
Window Option, 1-3/4" Flush, Cleanview	55B400	16
Screw, 3/8-16 X 2.250, F/T HHCS, SS	41A719	17
Washer, Lock, 3/8, Reg, Split, SS	41A327	18
Washer, Flat, 3/8, SS	41A203	19
Screw, #10 X 1.00, PH FHMS, SS	41A794	20
Screw, #12 X 1.25", Ph, Fhms	41A481	21

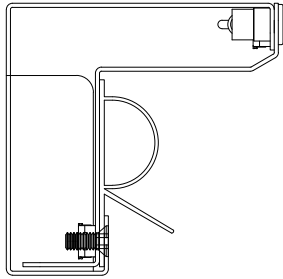
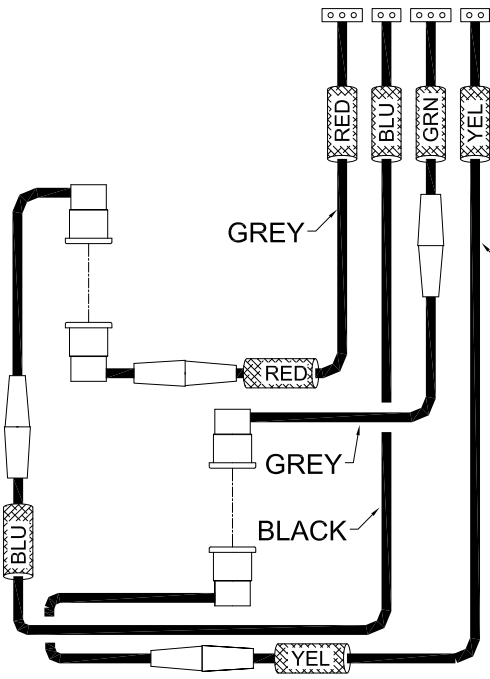


**When ordering parts, specify
Job Number, Door Number and
Manufacture Date**

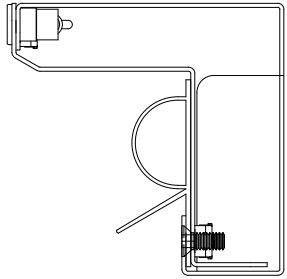
Face Frame Assemblies, Lead Edge

QTY	DESCRIPTION	PART #	ITEM #
1	ASM, WALL CLIP, LEAD EDGE, LH SLIDE	24B0452RV	1
1	ASM, WALL CLIP, LEAD EDGE, RH SLIDE	24B0452LV	1
1	ASM, WALL CLIP, LEAD EDGE, LH SLIDE, BRKOUT	24B0490RV	1
1	ASM, WALL CLIP, LEAD EDGE, RH SLIDE, BRKOUT	24B0490LV	1
1	ASM, COVER, LEAD EDGE, LH SLIDE, MANUAL	24B0454RV	2
1	ASM, COVER, LEAD EDGE, RH SLIDE, MANUAL	24B0454LV	2
1	ASM, COVER, LEAD EDGE, RH SLIDE, MANUAL, BRKOUT	24B0625RV	2
1	ASM, COVER, LEAD EDGE, RH SLIDE, MANUAL, BRKOUT	24B0625LV	2
1	ASM, COVER, LEAD EDGE, LH SLIDE, PWR, 2 P/E	24B0453RV	2
1	ASM, COVER, LEAD EDGE, RH SLIDE, PWR, 2 P/E	24B0453LV	2
1	ASM, COVER, LEAD EDGE, LH SLIDE, PWR, 2 P/E, BRKOUT	24B0491RV	2
1	ASM, COVER, LEAD EDGE, RH SLIDE, PWR, 2 P/E, BRKOUT	24B0491LV	2
1	ASM, COVER, LEAD EDGE, LH SLIDE, PWR, 4 P/E	24B0852RV	2
1	ASM, COVER, LEAD EDGE, RH SLIDE, PWR, 4 P/E	24B0852LV	2
1	ASM, COVER, LEAD EDGE, LH SLIDE, PWR, 4 P/E, BRKOUT	24B0851RV	2
1	ASM, COVER, LEAD EDGE, RH SLIDE, PWR, 4 P/E, BRKOUT	24B0851LV	2
2	SCREW, #10-24 x .625, FHMS, SS, ALLEN HEAD	41A883	3
1	SEAL, LEAD EDGE, SINGLE SLIDE, CLEAN SEAL	11B0087NN	4
A/R	PHOTOEYE, TORMAX # US801343	23A367	5
A/R	WEDGE, WIND LOAD (OPTIONAL)	13B1053	6

When ordering parts, specify Job Number, Door Number and Manufacture Date



RH Slide Lead Edge Face Frame Top View

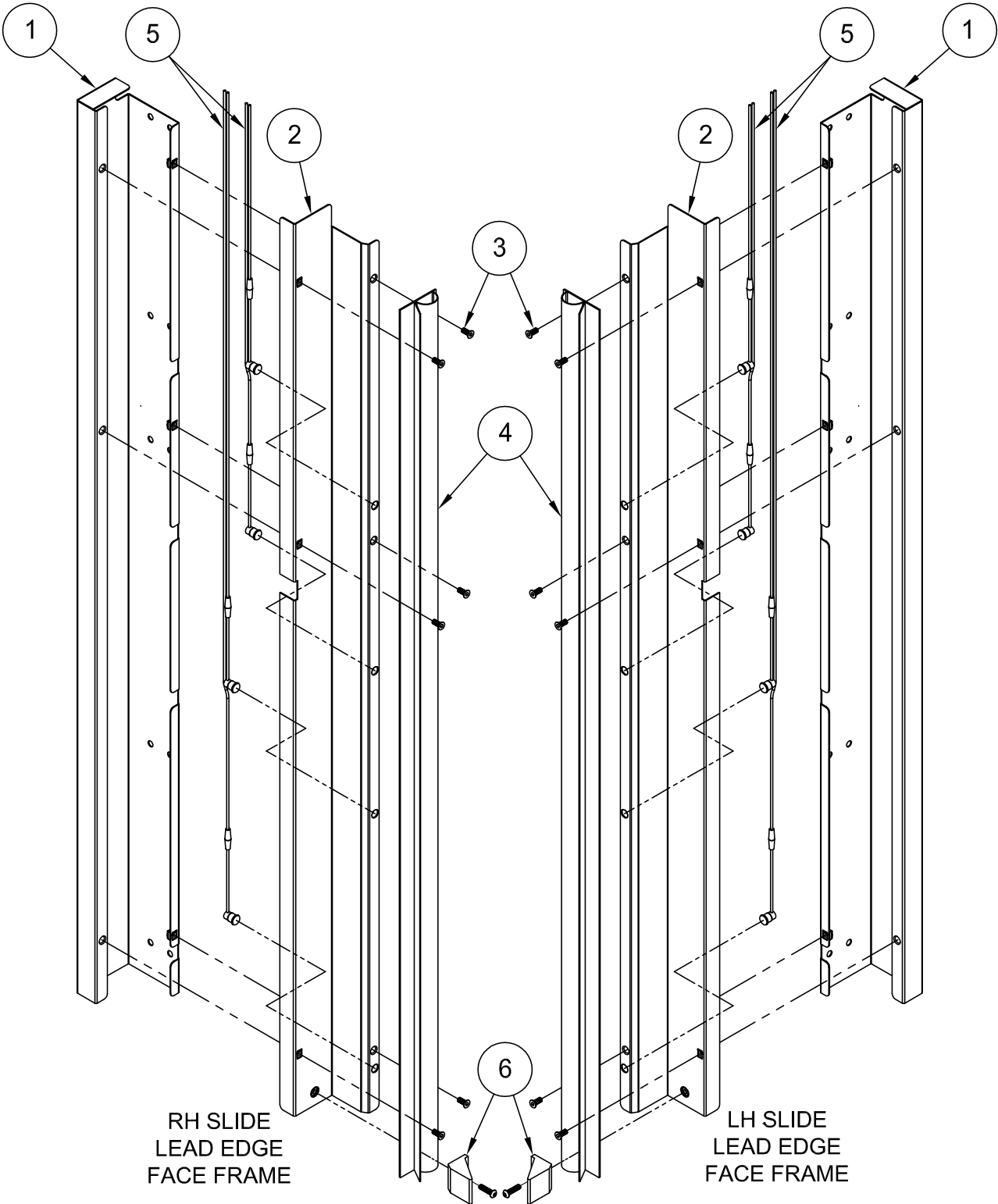


LH Slide Lead Edge Face Frame Top View

Photoeye wiring - Only used on Power models.

REPLACEMENT PARTS

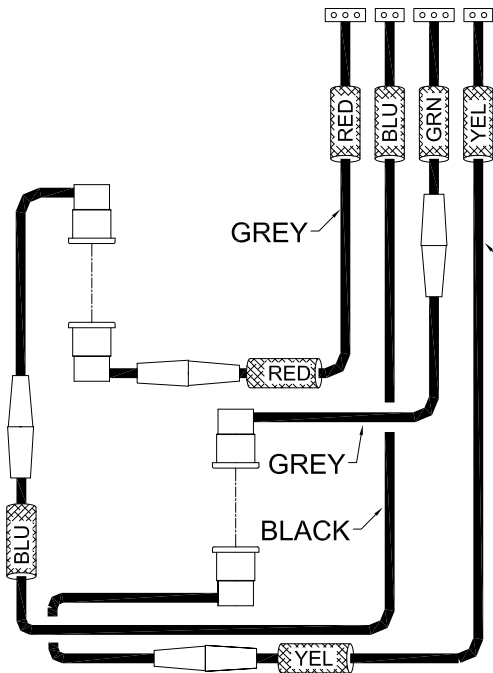
Face Frame Assemblies, Lead Edge continued



REPLACEMENT
PARTS

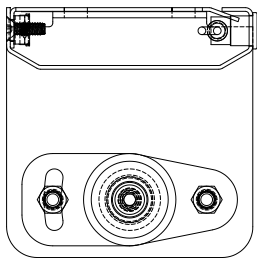
Face Frame Assemblies, Trail Edge

QTY						DESCRIPTION	PART #	ITEM #
-	-	-	-	X	X	ASSY, FACE FRAME, 2 P/E, POWER, RH	76B0005RV	-
-	-	-	-	X	-	ASSY, FACE FRAME, 2 P/E, POWER, LH	76B0005LV	-
-	-	-	X	-	-	ASSY, FACE FRAME, 0 P/E, MANUAL, RH	76B0006RV	-
-	-	X	-	-	-	ASSY, FACE FRAME, 0 P/E, MANUAL, LH	76B0006LV	-
-	X	-	-	-	-	ASSY, FACE FRAME, 4 P/E, POWER, RH	76B0036RV	-
X	-	-	-	-	-	ASSY, FACE FRAME, 4 P/E, POWER, LH	76B0036LV	-
-	1	-	1	-	1	WELDMNT, FACE FRAME , RH	28B0335R	1
1	-	1	-	1	-	WELDMNT, FACE FRAME, LH	28B0335L	1
-	-	-	-	-	1	COVER, FACE FRAME, 2 P/E, RH, PWR	13B1792RV20	2
-	-	-	-	1	-	COVER, FACE FRAME, 2 P/E, LH, PWR	13B1792LV20	2
-	-	1	1	-	-	COVER, FACE FRAME, RH/LH, MANUAL	13B1793NV20	2
-	1	-	-	-	-	COVER, FACE FRAME, 4 P/E, RH, PWR	13B1877RV20	2
1	-	-	-	-	-	COVER, FACE FRAME, 4 P/E, LH, PWR	13B1877LV20	2
1	1	1	1	1	1	ASM, ADJUSTABLE FLOOR ROLLER	24B210	3
2	2	-	-	1	1	PHOTOEYE, TORMAX # US801343	23A367	4
1	1	-	-	1	1	LABEL, PHOTOEYE INSTALLATION	17B037	5
2	2	2	2	2	2	PANEL NUT, 10-24, .025-.063 THK	41A900	6
2	2	2	2	2	2	SCREW, 10-24 X .625, PHMS, S/S	41A883	7
2	2	2	2	2	2	NUT, 1/4-20, HEX, NYLOCK, S/S	41A639	8

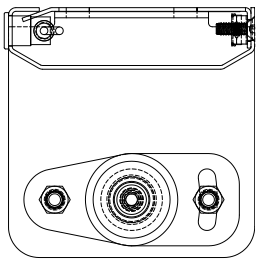


Photoeye wiring - Only used on Power models.

When ordering parts, specify Job Number, Door Number and Manufacture Date



RH Slide Trail Edge Face Frame Top View

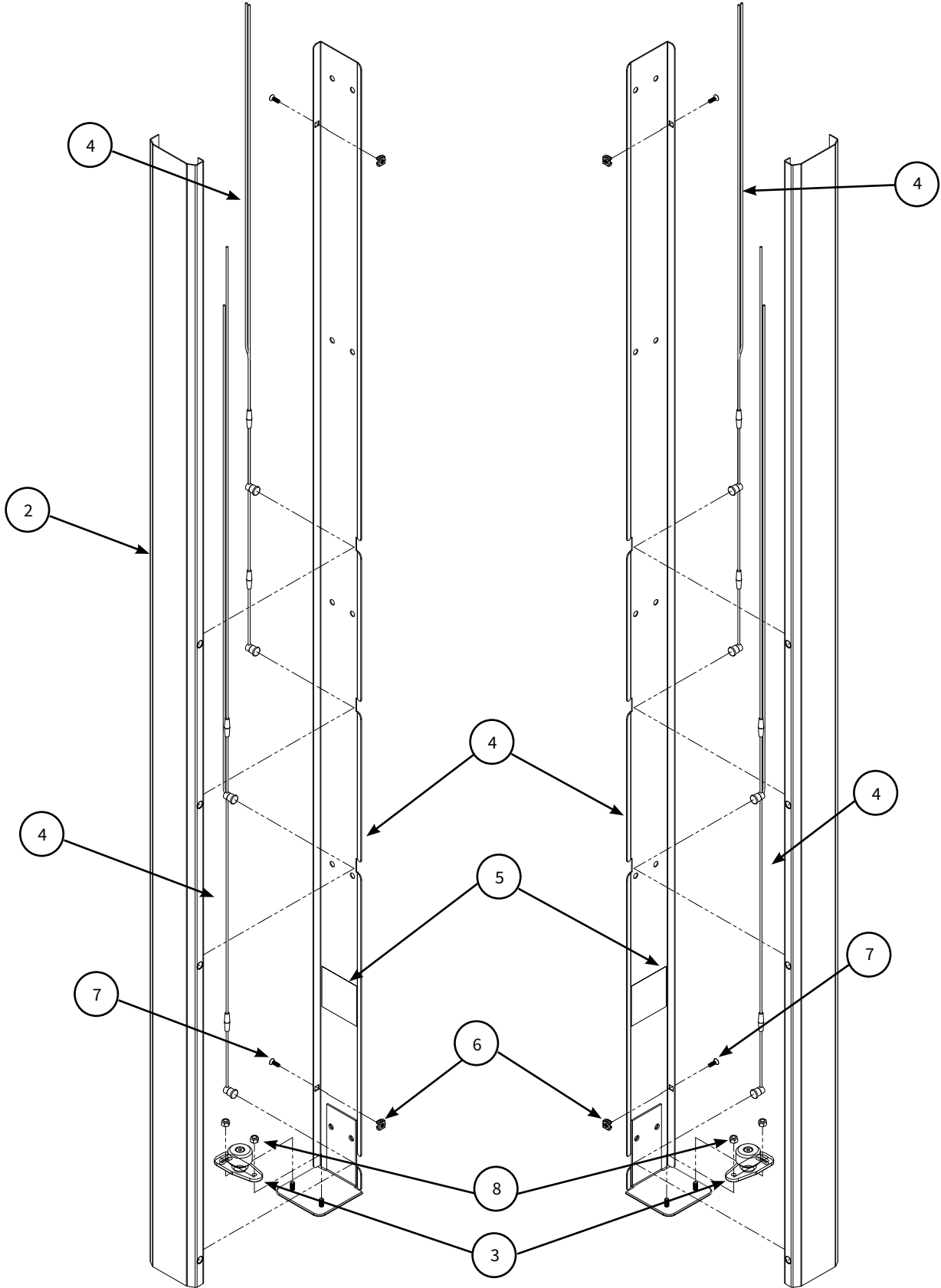


LH Slide Trail Edge Face Frame Top View

NOTE

Note consult ASI service for specific face frame assemblies appropriate for your specific door installation.

Face Frame Assemblies, Trail Edge Continued



REPLACEMENT PARTS

Options, Face Frame Assemblies

NOTE

Note consult ASI service for specific face frame assemblies appropriate for your specific door installation.

F17	F16	F15	F14	F12	F11	F10	F9	F8	F7	F6	F5	DESCRIPTION	PART #
-	-	-	-	-	-	-	-	-	-	-	x	OPTION, FACE FRAMES, RH SLIDE, PWR, 2 P/E	55B0845F5
-	-	-	-	-	-	-	-	-	-	x	-	OPTION, FACE FRAMES, LH SLIDE, PWR, 2 P/E	55B0845F6
-	-	-	-	-	-	-	-	-	x	-	-	OPTION, FACE FRAMES, RH SLIDE, MAN	55B0845F7
-	-	-	-	-	-	-	-	x	-	-	-	OPTION, FACE FRAMES, LH SLIDE, MAN	55B0845F8
-	-	-	-	-	-	-	x	-	-	-	-	OPTION, FACE FRAMES, RH SLIDE, PWR, 2 P/E, B/O	55B0845F9
-	-	-	-	-	-	x	-	-	-	-	-	OPTION, FACE FRAMES, LH SLIDE, PWR, 2 P/E, B/O	55B0845F10
-	-	-	-	-	x	-	-	-	-	-	-	OPTION, FACE FRAMES, RH SLIDE, MAN, B/O	55B0845F11
-	-	-	-	x	-	-	-	-	-	-	-	OPTION, FACE FRAMES, LH SLIDE, MAN, B/O	55B0845F12
-	-	-	x	-	-	-	-	-	-	-	-	OPTION, FACE FRAMES, RH SLIDE, PWR, 4 P/E	55B0845F14
-	-	x	-	-	-	-	-	-	-	-	-	OPTION, FACE FRAMES, LH SLIDE, PWR, 4 P/E	55B0845F15
-	x	-	-	-	-	-	-	-	-	-	-	OPTION, FACE FRAMES, RH SLIDE, PWR, 4 P/E, B/O	55B0845F16
x	-	-	-	-	-	-	-	-	-	-	-	OPTION, FACE FRAMES, LH SLIDE, PWR, 4 P/E, B/O	55B0845F17
-	-	-	-	-	1	-	-	-	1	-	-	ASM, FACE FRAME, RH, MAN	76B0006RV
-	-	-	-	1	-	-	-	1	-	-	-	ASM, FACE FRAME, LH, MAN	76B0006LV
-	-	-	-	-	-	-	1	-	-	-	1	ASM, FACE FRAME, RH, PWR, 2 P/E	76B0005RV
-	-	-	-	-	-	1	-	-	-	1	-	ASM, FACE FRAME, LH, PWR, 2 P/E	76B0005LV
-	1	-	1	-	-	-	-	-	-	-	-	ASM, FACE FRAME, RH, PWR, 4 P/E	76B0036RV
1	-	1	-	-	-	-	-	-	-	-	-	ASM, FACE FRAME, LH, PWR, 4 P/E	76B0036LV
-	-	-	-	-	-	-	-	-	1	-	-	ASM, FACE FRAME, LEAD EDGE, RH SLIDE, MAN	76B0008LV
-	-	-	-	-	-	-	-	1	-	-	-	ASM, FACE FRAME, LEAD EDGE, LH SLIDE, MAN	76B0008RV
-	-	-	-	-	-	-	-	-	-	-	1	ASM, FACE FRAME, LEAD EDGE, RH SLIDE, PWR, 2 P/E	76B0007LV
-	-	-	-	-	-	-	-	-	-	1	-	ASM, FACE FRAME, LEAD EDGE, LH SLIDE, PWR, 2 P/E	76B0007RV
-	-	-	1	-	-	-	-	-	-	-	-	ASM, FACE FRAME, LEAD EDGE, RH SLIDE, PWR, 4 P/E	76B0037LV
-	-	1	-	-	-	-	-	-	-	-	-	ASM, FACE FRAME, LEAD EDGE, LH SLIDE, PWR, 4 P/E	76B0037RV
-	-	-	-	-	1	-	-	-	-	-	-	ASM, FACE FRAME, LEAD EDGE, RH SLIDE, MAN, B/O	76B0019LV
-	-	-	-	1	-	-	-	-	-	-	-	ASM, FACE FRAME, LEAD EDGE, LH SLIDE, MAN, B/O	76B0019RV
-	-	-	-	-	-	-	1	-	-	-	-	ASM, FACE FRAME, LEAD EDGE, RH SLIDE, PWR, 2 P/E, B/O	76B0018LV
-	-	-	-	-	-	1	-	-	-	-	-	ASM, FACE FRAME, LEAD EDGE, LH SLIDE, PWR, 2 P/E, B/O	76B0018RV
-	1	-	-	-	-	-	-	-	-	-	-	ASM, FACE FRM, LEAD EDGE, RH SLIDE, PWR, 4 P/E, B/O	76B0038LV
1	-	-	-	-	-	-	-	-	-	-	-	ASM, FACE FRM, LEAD EDGE, LH SLIDE, PWR, 4 P/E, B/O	76B0038RV

**When ordering parts, specify
Job Number, Door Number
and Manufacture Date**

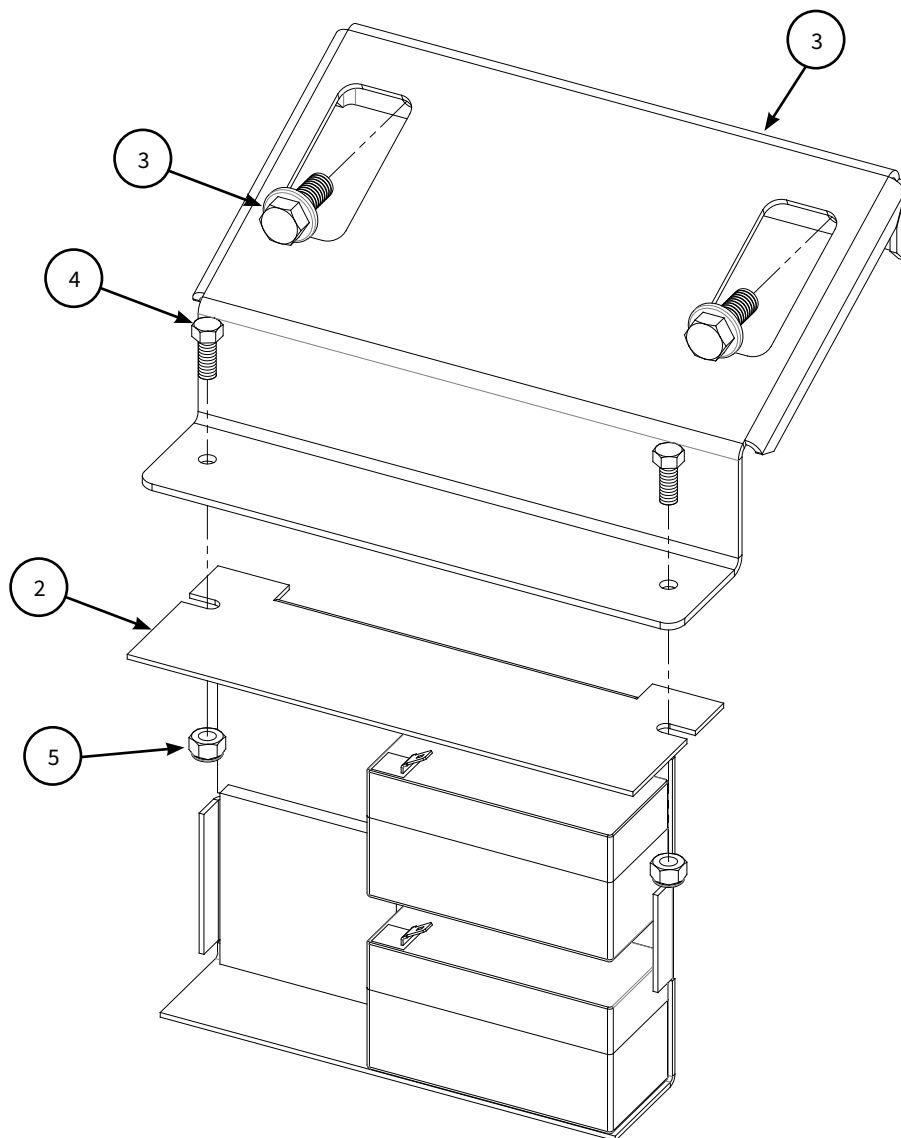
Option, Battery Backup

55B0103, Optional Battery Backup

QTY	DESCRIPTION	PART #	ITEM #
1	BRKT, BATTERY, TORMAX 2301/2401, EXCEL	13B1487NN20	1
1	BATTERY BACKUP, TORMAX 2301/2401	23A0368NN	2
4	SCREW, 3/8 X 1.00 HEX HEAD, WHIZLOCK, SS	41A793	3
2	SCREW, 1/4-20 x .625, HHMS, SS	41A303	4
2	NYLON INSERT LOCKNUT, 1/4-20 UNC	41A639	5

NOTE

Note minimum WIC for Battery Module is 4' 0"

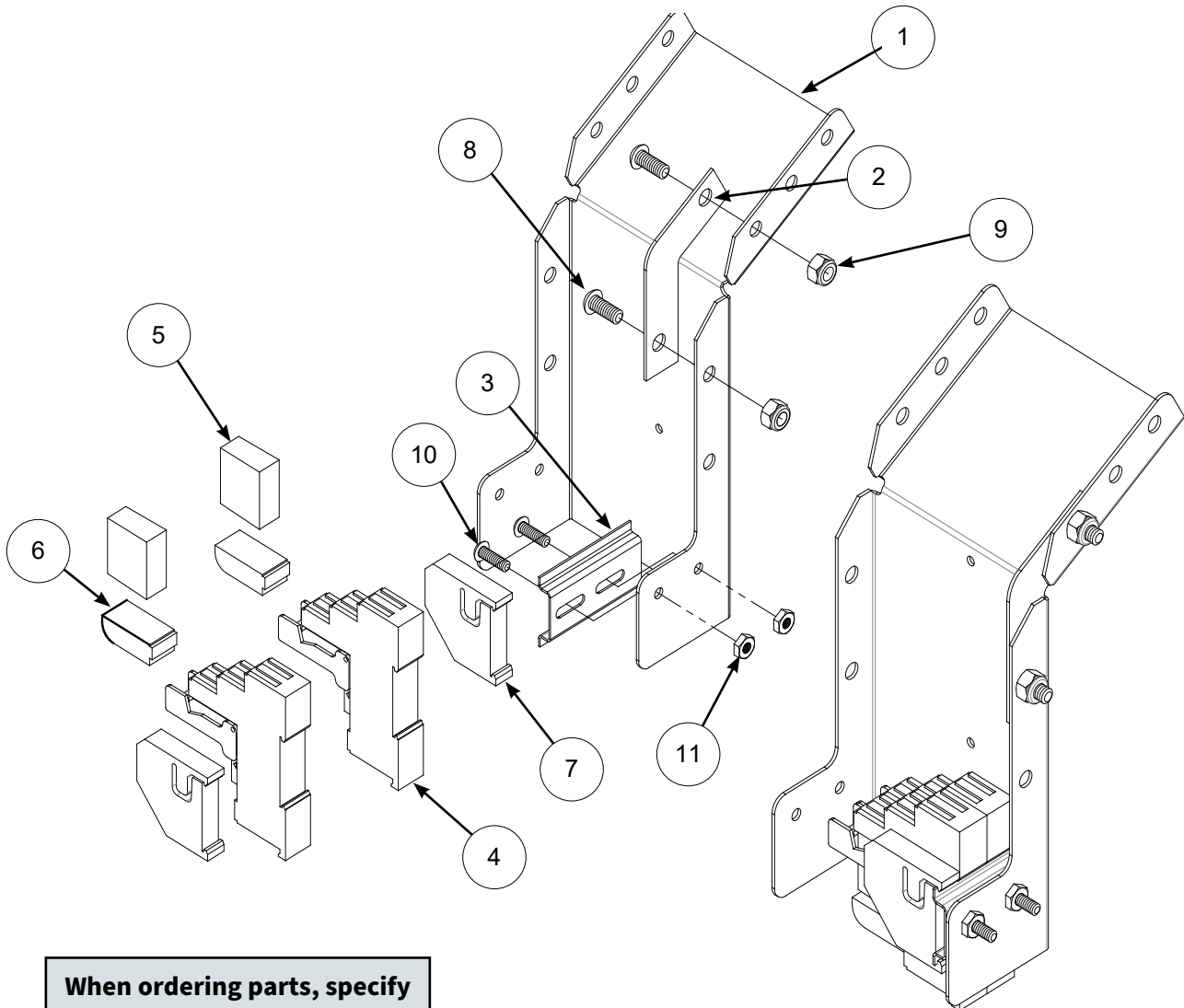


**When ordering parts, specify
Job Number, Door Number
and Manufacture Date**

Option, Interlock Module

55B0104, Optional Interlock Module

F3	F1	DESCRIPTION	PART#	ITEM#
-	1	ASM, INTERLOCK MODULE, 2301/2401, EXCEL, 1 RELAY	55B0104F1	-
1	-	ASM, INTERLOCK MODULE, 2301/2401, EXCEL, 2 RELAYS	55B0104F3	-
1	-	BRACKET, INTERLOCK MODULE, EXCEL	13B2110NN20	1
1	-	PLATE, SPLICE, INTERLOCK MODULE, EXCEL	13A0461NN20	2
1	-	DIN RAIL, 35MM, 1.5" LONG	22B025	3
2	1	SOCKET, RELAY, FINDER # 95.05	23A232	4
2	1	RELAY, 24VDC, 2P, FINDER # 40.52.9.024.0000	23A126	5
2	1	SUPPRESSOR, RC, 6-24 VAC/VDC, FINDER # 9902002409	23A241	6
2	-	STOP, DIN RAIL	22A008	7
2	-	SCREW, 1/4-20 X .625, BHS, SS	41A535	8
2	-	NYLON INSERT LOCKNUT, 1/4-20 UNC	41A639	9
2	-	SCREW, #10-24 X .625, SHCS, SS	41A715	10
2	-	10-24 WHZLK NUT, SS	41A716	11



**When ordering parts, specify
Job Number, Door Number
and Manufacture Date**



OPEN UP TO WHAT'S POSSIBLE



asidoors.com