



**Bi-Part Impactable
Sliding Cooler/
Freezer Door
MODEL IXP 2100**

PART'S MANUAL

Instructions for Ordering

This parts manual is intended to assist in the correct identification of the more commonly replaced parts; covering, generally, all models and styles offered within the marathon pharm. Line. The manual will also help identify obsolete parts, part design changes and current production parts. For more specific parts information, please contact an authorized representative or consult the factory's customer service or engineering departments. Asi doors reserves the right to discontinue any part and make design changes without notice.

General Instructions for Ordering Door Parts

Accurate information is always necessary to serve you correctly and promptly. Several steps should be followed to determine exactly the parts that are needed.

Refer to the information tag on your door and record the:

1. Door model number
2. Job number
3. Door number
4. Manufacturing date.

Use part numbers referenced in this manual.

If the item is not found in the manual, the product code on the back of the item is helpful.

If your door has no information label, the approximate purchase date is helpful.

Call

1-800-558-7068

or visit

asidoors.com/parts

to order parts

Manual Part #: 17A250

Door Identification

Determining the Job Number, Model and Year of Manufacture of your door is necessary to provide quick and accurate parts identification. The following is a description of labels and their locations.

When ordering parts, specify Job Number, Door Number and Manufacture Date

Product Labels:

Manual Doors

ASI Doors, Inc.		
MILWAUKEE	WISCONSIN	MADE IN USA
DOOR MODEL <input style="width: 100%; height: 15px;" type="text"/>	JOB NUMBER <input style="width: 100%; height: 15px;" type="text"/>	DOOR NUMBER <input style="width: 100%; height: 15px;" type="text"/>
MFG. DATE <input style="width: 100%; height: 15px;" type="text"/>	INSPECTED BY <input style="width: 100%; height: 15px;" type="text"/>	

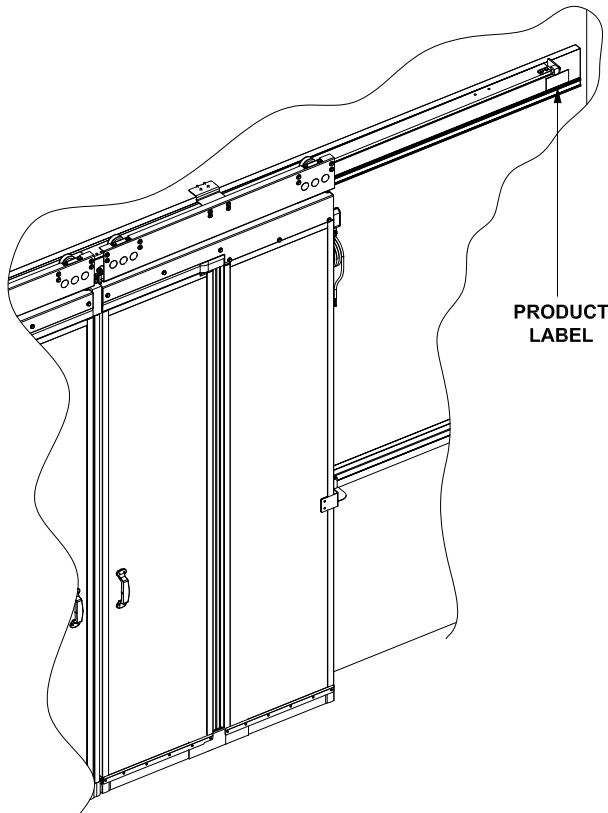
Product Label: Manual Door

Power Doors

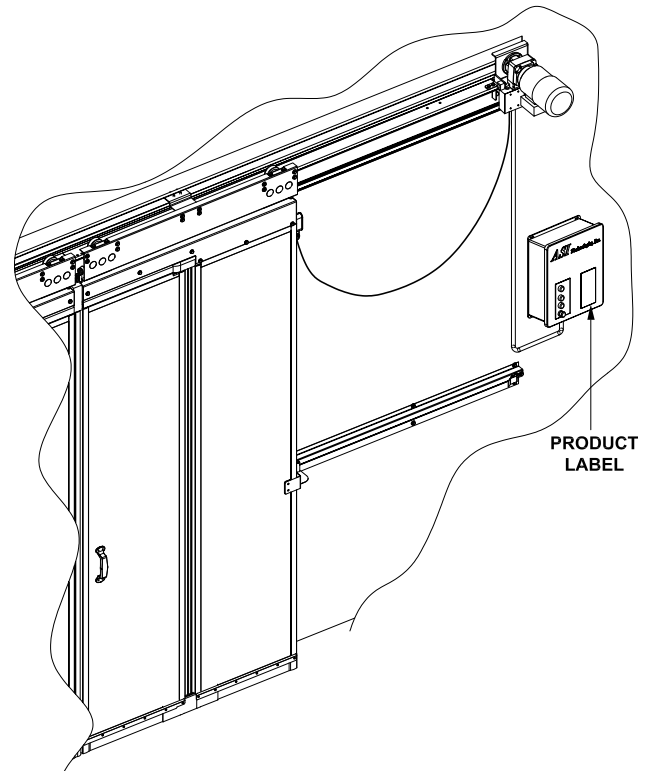
ASI Doors, Inc.			
MILWAUKEE	WISCONSIN	MADE IN USA	
DOOR MODEL <input style="width: 100%; height: 15px;" type="text"/>	JOB NUMBER <input style="width: 100%; height: 15px;" type="text"/>	DOOR NUMBER <input style="width: 100%; height: 15px;" type="text"/>	
MFG. DATE <input style="width: 100%; height: 15px;" type="text"/>	INSPECTED BY <input style="width: 100%; height: 15px;" type="text"/>		
OPERATOR TYPE <input style="width: 100%; height: 15px;" type="text"/>	MODEL # <input style="width: 100%; height: 15px;" type="text"/>	WIRING DIAGRAM <input style="width: 100%; height: 15px;" type="text"/>	
HORSEPOWER <input style="width: 100%; height: 15px;" type="text"/>	VOLTAGE/PHASE <input style="width: 100%; height: 15px;" type="text"/>	HZ <input style="width: 100%; height: 15px;" type="text"/>	AMPERAGE <input style="width: 100%; height: 15px;" type="text"/>

Product Label: Power Door

ID Tag Location

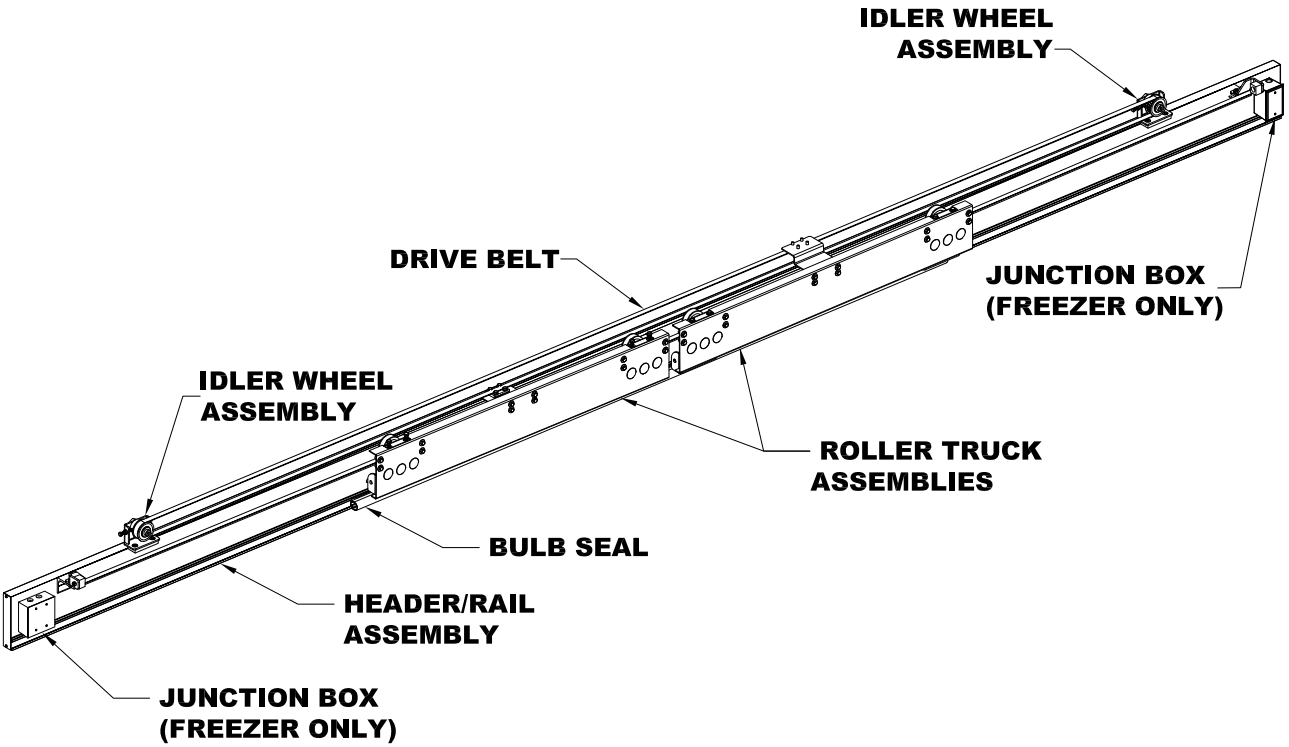


ID Tag: IXP 2100



ID Tag: IXP 2100

Manual Header Assemblies

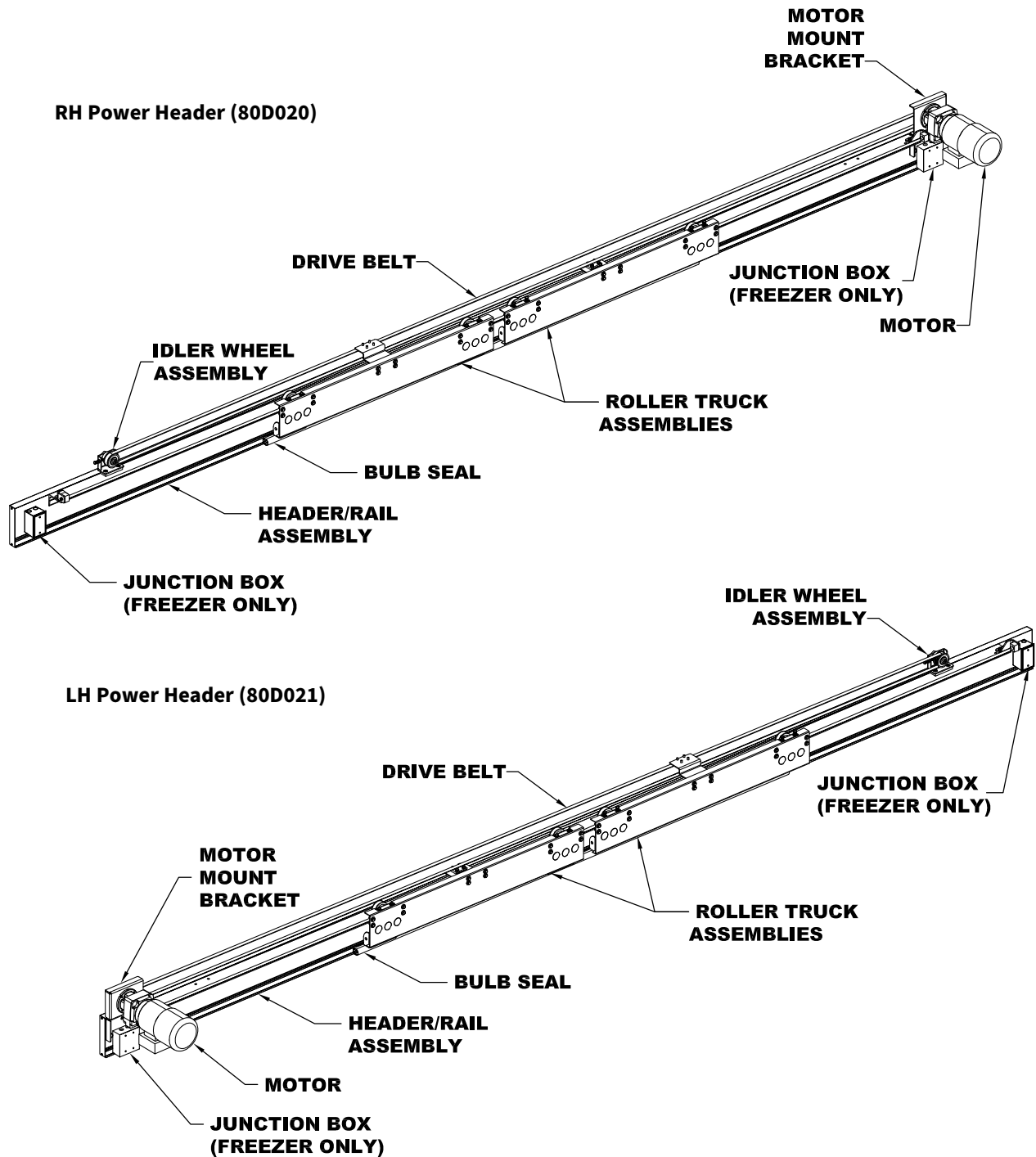


RH/LH Manual Header (80D016)

DESCRIPTION	PART #	ITEM #
HEADER ASSY, MANUAL, RH/LH, BP IXP DOOR	80D016	1

When ordering parts, specify Job Number, Door Number and Manufacture Date

Header Assemblies (Power)

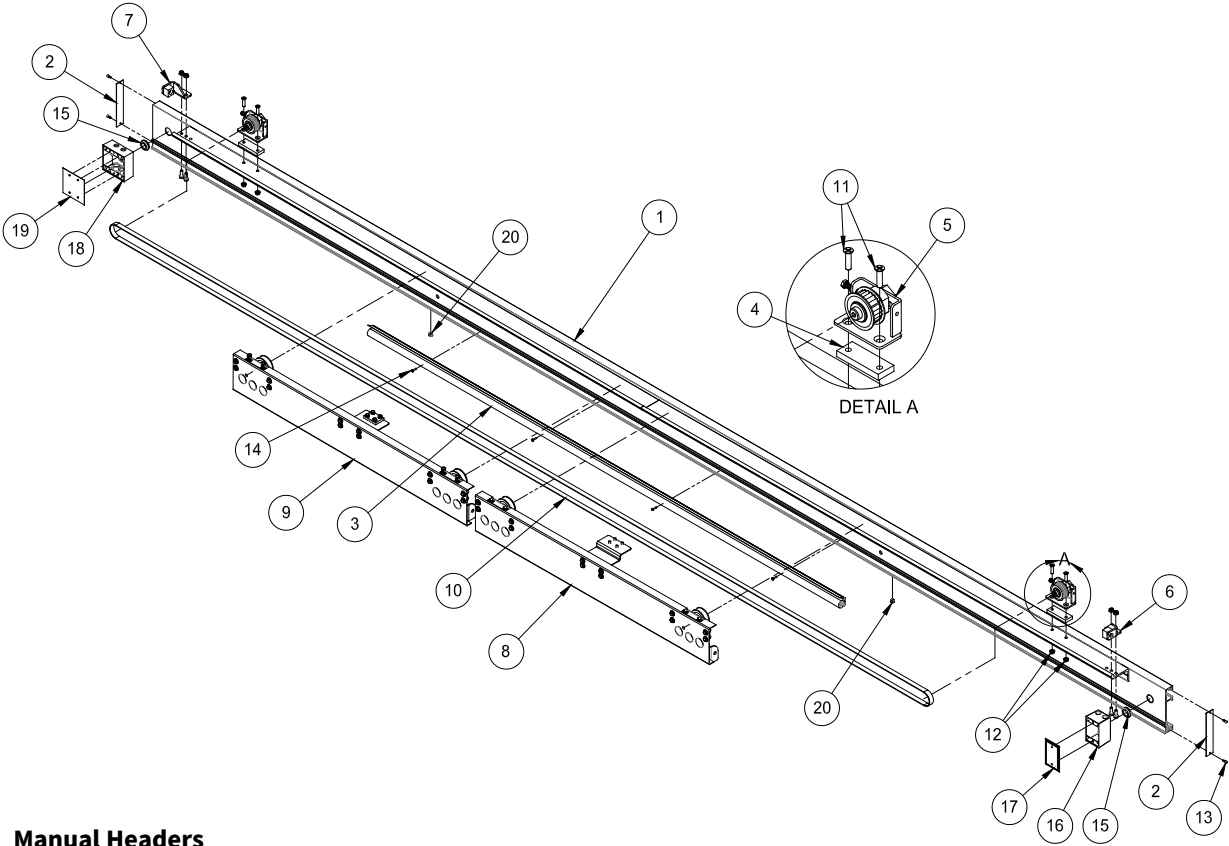


DESCRIPTION	PART #	ITEM #
HEADER ASSY, POWER, RH, BP IXP DOOR	80D020	1
HEADER ASSY, POWER, LH, BP IXP DOOR	80D021	2

When ordering parts, specify
Job Number, Door Number and
Manufacture Date

Header Assembly, Manual, RH/LH

Part # 80D016



Manual Headers

When ordering parts, specify Job Number, Door Number and Manufacture Date

NOTE

Note items 15, 16, 17, 18, 19, & 20 are used on Freezer Option only.

Header Assembly, Manual, RH/LH

Part # 80D016

F4	F3	F2	F1	DESCRIPTION	PART#	Item #
-	-	-	1	ASM, HEADER, BP IXP DOOR, RH/LH, MAN, AL & GV, WIC <=96	80D016F1	-
-	-	1	-	ASM, HEADER, BP IXP DOOR, RH/LH, MAN, AL & S/S, WIC <=96	80D016F2	-
-	1	-	-	ASM, HEADER, BP IXP DOOR, RH/LH, MAN, AL & GV, WIC > 96	80D016F3	-
1	-	-	-	ASM, HEADER, BP IXP DOOR, RH/LH, MAN, AL & S/S, WIC > 96	80D016F4	-
-	-	-	1	HEADER ASSY, MAN, BP, IXP DOOR, WIC <= 96, ZN	24B258F1	1
-	1	-	-	HEADER ASSY, MAN, BP, IXP DOOR, WIC > 96, ZN	24B258F2	1
-	-	1	-	HEADER ASSY, MAN, BP, IXP DOOR, WIC <=96, S/S	24B258F3	1
1	-	-	-	HEADER ASSY, MAN, BP, IXP DOOR, WIC > 96, S/S	24B258F4	1
-	2	-	2	COVER, ALUMINUM HEADER, GV	13A239F1	2
2	-	2	-	COVER, ALUMINUM HEADER, S/S	13A239F2	2
-	-	1	1	BULB / BLADE SEAL, TOP, IXP HEADER, WIC <= 96	15B017F1	3
1	1	-	-	BULB / BLADE SEAL, TOP, IXP HEADER, WIC > 96	15B017F2	3
-	2	-	2	RISER BLOCK, IDLER WHEEL, IXP DOOR, ZN	13A245F1	4
2	-	2	-	RISER BLOCK, IDLER WHEEL, IXP DOOR, S/S	13A245F2	4
-	2	-	2	ASSY, IDLER ROLLER WHEEL, IXP DOORS, ZN	24B075F1	5
2	-	2	-	ASSY, IDLER ROLLER WHEEL, IXP DOORS, S/S	24B075F2	5
-	1	-	1	ASM, END STOP, RH, IXP HEADER, ZN	24B0377RN10	6
1	-	1	-	ASM, END STOP, RH, IXP HEADER, S/S	24B0377RN20	6
-	1	-	1	ASM, END STOP, LH, IXP HEADER, ZN	24B0377LN10	7
1	-	1	-	ASM, END STOP, LH, IXP HEADER, S/S	24B0377LN20	7
-	1	-	1	ROLLER TRUCK ASSY, TOP BELT, BP, IXP DOOR, GV	24B227F1	8
1	-	1	-	ROLLER TRUCK ASSY, TOP BELT, BP, IXP DOOR, S/S	24B227F2	8
-	1	-	1	ROLLER TRUCK ASSY, BOTTOM BELT, BP, IXP DOOR, GV	24B226F1	9
1	-	1	-	ROLLER TRUCK ASSY, BOTTOM BELT, BP, IXP DOOR, S/S	24B226F2	9
1	1	1	1	BELT, B P.MANUAL, IXP DOOR	50A137	10
-	4	-	4	SCREW, 3/8-16 X 1.500 SL FHMS, ZN	41A364	11
4	-	4	-	SCREW, 3/8-16 X 1.500 SL FHMS, S/S	41A814	11
-	4	-	4	NUT, 3/8-16. WZLK, ZN	41A216	12
4	-	4	-	NUT, 3/8-16. WZLK, S/S	41A710	12
4	4	4	4	SCREW, #10 x .625, PH TRSMS, SS	41A158	13
4	4	4	4	SCREW, #8 x .75, SLDR, HEX	41A542	14
2	2	2	2	GROMMET, .875 ID	11A086	15
1	1	1	1	JUNCTION BOX, WEATHERPROOF, 1-GANG	22B029	16
1	1	1	1	BELL BOX, COVER AND GASKET	22A084	17
1	1	1	1	JUNCTION BOX, WEATHERPROOF, 2-GANG	22A003	18
1	1	1	1	COVER, ELECTRICAL, BLANK, 2-GANG	22A004	19
2	2	2	2	BUSHING, SNAP	22A221	20

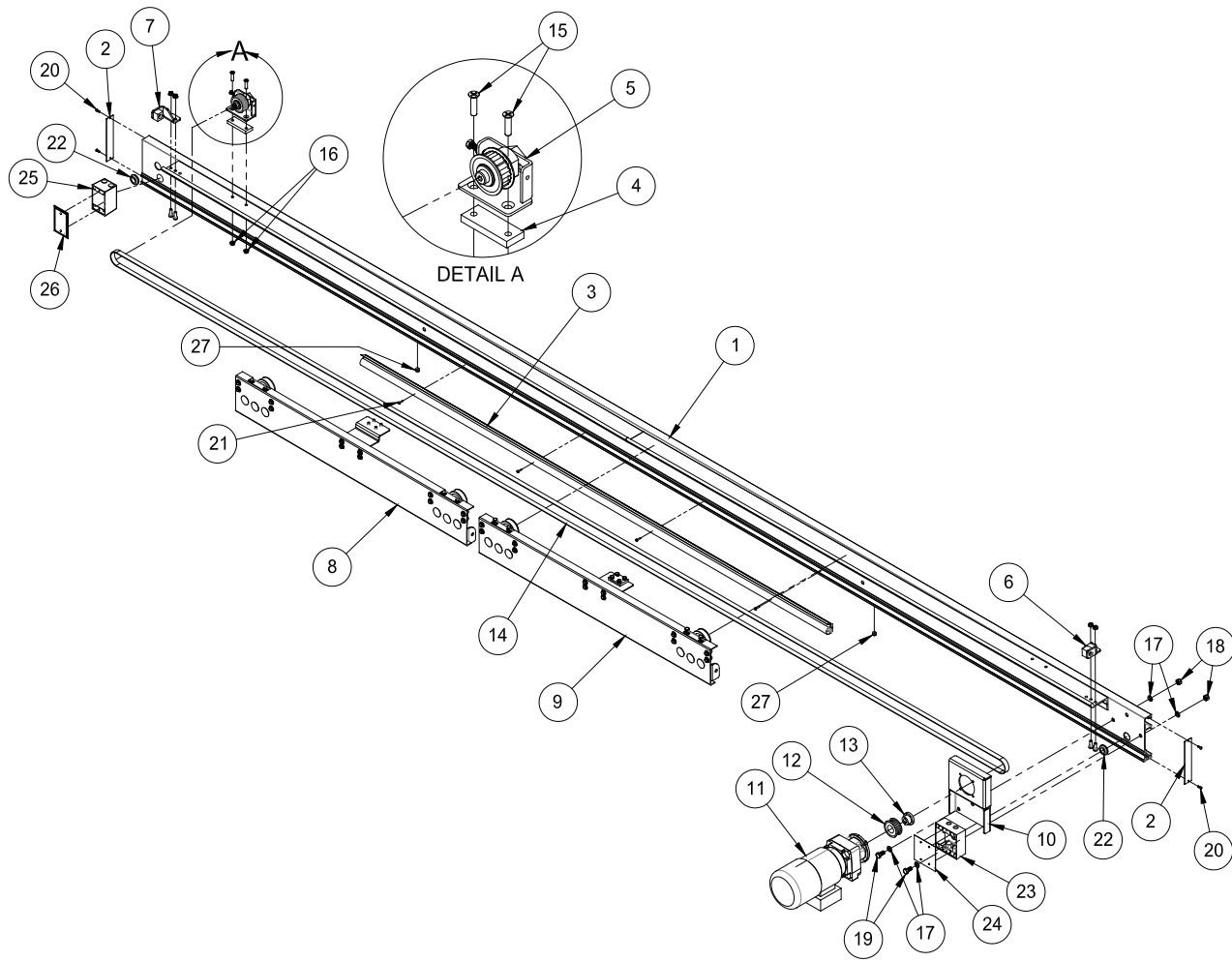
NOTE

Note items 15, 16, 17, 18, 19 & 20 are used on freezer option only.

When ordering parts, specify Job Number, Door Number and Manufacture Date

Header Assembly, Power, RH

Part # 80D020



NOTE

Note items 15, 16, 17, 18, 19 & 20 are used on freezer option only.

When ordering parts, specify Job Number, Door Number and Manufacture Date

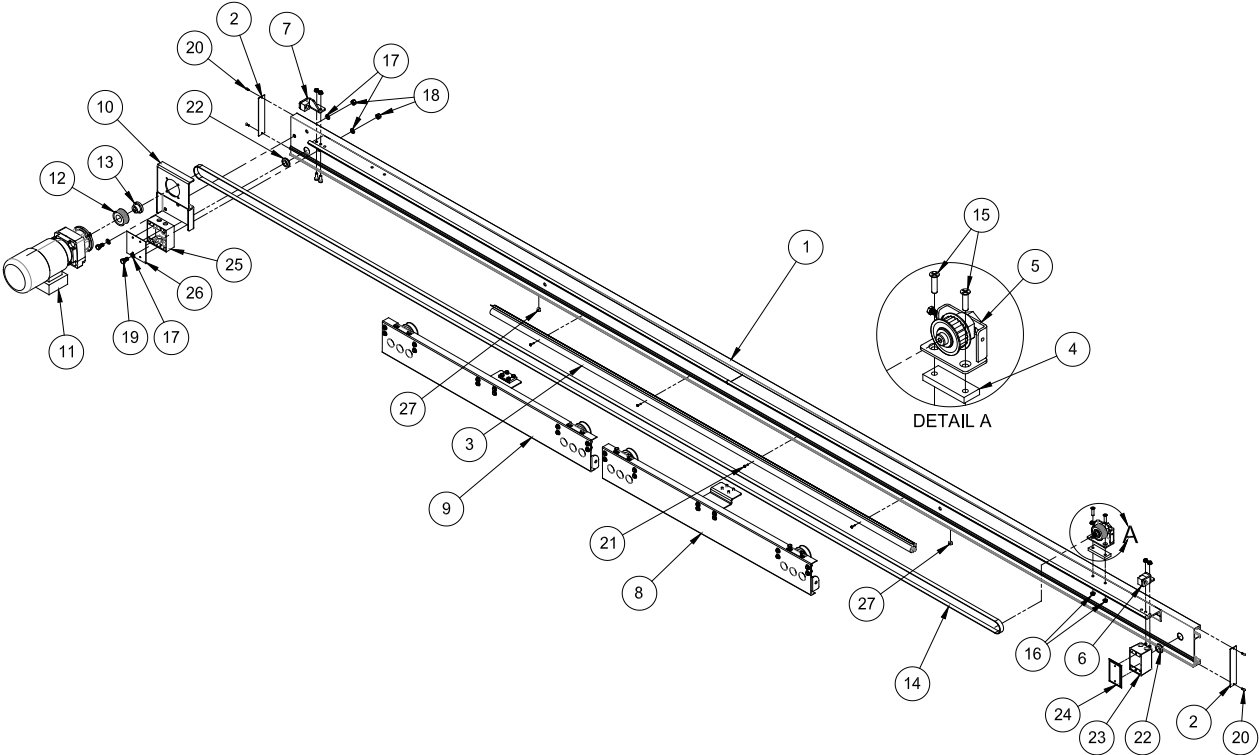
Power Header Shrouds

Part # 80D020

F4	F3	F2	F1	DESCRIPTION	PART#	Item #
-	-	-	1	ASM, HEADER, BP IXP DOOR, RH, PWR, AL & GV, WIC <=96	80D020F1	-
-	-	1	-	ASM, HEADER, BP IXP DOOR, RH, PWR, AL & S/S, WIC <=96	80D020F2	-
-	1	-	-	ASM, HEADER, BP IXP DOOR, RH, PWR, AL & GV, WIC > 96	80D020F3	-
1	-	-	-	ASM, HEADER, BP IXP DOOR, RH, PWR, AL & S/S, WIC > 96	80D020F4	-
-	-	-	1	HEADER ASSY, PWR, RH, BP, IXP DOOR, WIC <=96, ZN	24B225F1	1
-	1	-	-	HEADER ASSY, PWR, RH, BP, IXP DOOR, WIC > 96, ZN	24B225F2	1
-	-	1	-	HEADER ASSY, PWR, RH, BP, IXP DOOR, WIC <=96, S/S	24B225F3	1
1	-	-	-	HEADER ASSY, PWR, RH, BP, IXP DOOR, WIC > 96, S/S	24B225F4	1
-	2	-	2	COVER, ALUMINUM HEADER, GV	13A239F1	2
2	-	2	-	COVER, ALUMINUM HEADER, S/S	13A239F2	2
-	-	1	1	BULB / BLADE SEAL, TOP, IXP HEADER, WIC <= 96	15B017F1	3
1	1	-	-	BULB / BLADE SEAL, TOP, IXP HEADER, WIC > 96	15B017F2	3
-	1	-	1	RISER BLOCK, IDLER WHEEL, IXP DOOR, ZN	13A245F1	4
1	-	1	-	RISER BLOCK, IDLER WHEEL, IXP DOOR, S/S	13A245F2	4
-	1	-	1	ASSY, IDLER ROLLER WHEEL, IXP DOORS, ZN	24B075F1	5
1	-	1	-	ASSY, IDLER ROLLER WHEEL, IXP DOORS, S/S	24B075F2	5
-	1	-	1	ASM, END STOP, RH, IXP HEADER, ZN	24B0377RN10	6
1	-	1	-	ASM, END STOP, RH, IXP HEADER, S/S	24B0377RN20	6
-	1	-	1	ASM, END STOP, LH, IXP HEADER, ZN	24B0377LN10	7
1	-	1	-	ASM, END STOP, LH, IXP HEADER, S/S	24B0377LN20	7
-	1	-	1	ROLLER TRUCK ASSY, TOP BELT, BP, IXP DOOR, GV	24B227F1	8
1	-	1	-	ROLLER TRUCK ASSY, TOP BELT, BP, IXP DOOR, S/S	24B227F2	8
-	1	-	1	ROLLER TRUCK ASSY, BOTTOM BELT, BP, IXP DOOR, GV	24B226F1	9
1	-	1	-	ROLLER TRUCK ASSY, BOTTOM BELT, BP, IXP DOOR, S/S	24B226F2	9
-	1	-	1	BRACKET, MOTOR MTG, RH, IXP DOOR, ZN	13B279F1	10
1	-	1	-	BRACKET, MOTOR MTG, RH, IXP DOOR, S/S	13B279F2	10
1	1	1	1	NORD SK172.1F-80L/4 MOTOR	23B044	11
-	1	-	1	SPROCKET, DRIVE, ZN	50A122	12
1	-	1	-	SPROCKET, DRIVE, S/S	50A133	12
1	1	1	1	BUSHING, DRIVE, IXP W/ECTI - TB WOODS# JA-3/4	50A129	13
1	1	1	1	BELT, BP, POWER, IXP DOOR	50A136	14
-	2	-	2	SCREW, 3/8-16 X 1.500 SL FHMS, ZN	41A364	15
2	-	2	-	SCREW, 3/8-16 X 1.500 SL FHMS, S/S	41A814	15
-	2	-	2	NUT, 3/8-16. WZLK, ZN	41A216	16
2	-	2	-	NUT, 3/8-16. WZLK, S/S	41A710	16
-	4	-	4	WASHER, LOCK, 1/2, REG SPLIT, ZN	41A119	17
4	-	4	-	WASHER, LOCK, 1/2, REG SPLIT, S/S	41A558	17
-	2	-	2	NUT, 1/2-13. HEX, ZN	41A120	18
2	-	2	-	NUT, 1/2-13. HEX, S/S	41A515	18
-	2	-	2	SCREW, 1/2-13 x 1.00, HHCS, ZN	41A388	19
2	-	2	-	SCREW, 1/2-13 x 1.00, HHCS, S/S	41A478	19
4	4	4	4	SCREW, #10 x .625, PH TRSMS, SS	41A158	20
4	4	4	4	SCREW, #8 x .75, SLDR, HEX	41A542	21
2	2	2	2	GROMMET, .875 ID	11A086	22
1	1	1	1	JUNCTION BOX, WEATHERPROOF, 2-GANG	22A003	23
1	1	1	1	COVER, ELECTRICAL, BLANK, 2-GANG	22A004	24
1	1	1	1	JUNCTION BOX, WEATHERPROOF, 1-GANG	22B029	25
1	1	1	1	BELL BOX, COVER AND GASKET	22A084	26
2	2	2	2	BUSHING, SNAP	22A221	27

Header Assembly, Power, LH

Part # 80D021



NOTE

Note items 15, 16, 17, 18, 19 & 20 are used on freezer option only.

When ordering parts, specify Job Number, Door Number and Manufacture Date

Header Assembly, Power, LH

Part # 80D021

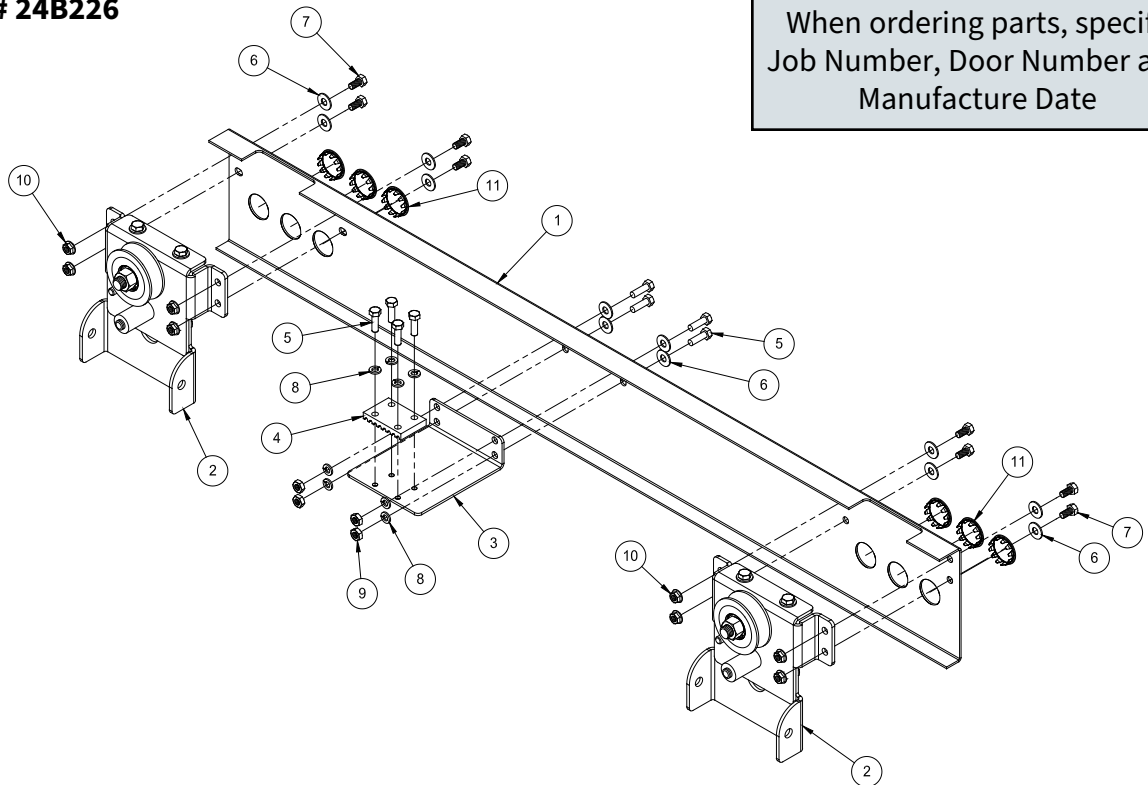
F4	F3	F2	F1	DESCRIPTION	PART#	Item #
-	-	-	1	ASM, HEADER, BP IXP DOOR, LH, PWR, AL & GV, WIC <=96	80D021F1	-
-	-	1	-	ASM, HEADER, BP IXP DOOR, LH, PWR, AL & S/S, WIC <=96	80D021F2	-
-	1	-	-	ASM, HEADER, BP IXP DOOR, LH, PWR, AL & GV, WIC > 96	80D021F3	-
1	-	-	-	ASM, HEADER, BP IXP DOOR, LH, PWR, AL & S/S, WIC > 96	80D021F4	-
-	-	-	1	HEADER ASSY, PWR, LH, BP, IXP DOOR, WIC <=96, ZN	24B278F1	1
-	1	-	-	HEADER ASSY, PWR, LH, BP, IXP DOOR, WIC > 96, ZN	24B278F2	1
-	-	1	-	HEADER ASSY, PWR, LH, BP, IXP DOOR, WIC <=96, S/S	24B278F3	1
1	-	-	-	HEADER ASSY, PWR, LH, BP, IXP DOOR, WIC > 96, S/S	24B278F4	1
-	2	-	2	COVER, ALUMINUM HEADER, GV	13A239F1	2
2	-	2	-	COVER, ALUMINUM HEADER, S/S	13A239F2	2
-	-	1	1	BULB / BLADE SEAL, TOP, IXP HEADER, WIC <= 96	15B017F1	3
1	1	-	-	BULB / BLADE SEAL, TOP, IXP HEADER, WIC > 96	15B017F2	3
-	1	-	1	RISER BLOCK, IDLER WHEEL, IXP DOOR, ZN	13A245F1	4
1	-	1	-	RISER BLOCK, IDLER WHEEL, IXP DOOR, S/S	13A245F2	4
-	1	-	1	ASSY, IDLER ROLLER WHEEL, IXP DOORS, ZN	24B075F1	5
1	-	1	-	ASSY, IDLER ROLLER WHEEL, IXP DOORS, S/S	24B075F2	5
-	1	-	1	ASM, END STOP, LH, IXP HEADER, ZN	24B0377RN10	6
1	-	1	-	ASM, END STOP, LH, IXP HEADER, S/S	24B0377RN20	6
-	1	-	1	ASM, END STOP, LH, IXP HEADER, ZN	24B0377LN10	7
1	-	1	-	ASM, END STOP, LH, IXP HEADER, S/S	24B0377LN20	7
-	1	-	1	ROLLER TRUCK ASSY, TOP BELT, BP, IXP DOOR, GV	24B227F1	8
1	-	1	-	ROLLER TRUCK ASSY, TOP BELT, BP, IXP DOOR, S/S	24B227F2	8
-	1	-	1	ROLLER TRUCK ASSY, BOTTOM BELT, BP, IXP DOOR, GV	24B226F1	9
1	-	1	-	ROLLER TRUCK ASSY, BOTTOM BELT, BP, IXP DOOR, S/S	24B226F2	9
-	1	-	1	BRACKET, MOTOR MTG, LH, IXP DOOR, ZN	13B1173F1	10
1	-	1	-	BRACKET, MOTOR MTG, LH, IXP DOOR, S/S	13B1173F2	10
1	1	1	1	NORD SK172.1F-80L/4 MOTOR	23B044	11
-	1	-	1	SPROCKET, DRIVE, ZN	50A122	12
1	-	1	-	SPROCKET, DRIVE, S/S	50A133	12
1	1	1	1	BUSHING, DRIVE, IXP W/ECTI - TB WOODS# JA-3/4	50A129	13
1	1	1	1	BELT, BP, POWER, IXP DOOR	50A136	14
-	2	-	2	SCREW, 3/8-16 X 1.500 SL FHMS, ZN	41A364	15
2	-	2	-	SCREW, 3/8-16 X 1.500 SL FHMS, S/S	41A814	15
-	2	-	2	NUT, 3/8-16. WZLK, ZN	41A216	16
2	-	2	-	NUT, 3/8-16. WZLK, S/S	41A710	16
-	4	-	4	WASHER, LOCK, 1/2, REG SPLIT, ZN	41A119	17
4	-	4	-	WASHER, LOCK, 1/2, REG SPLIT, S/S	41A558	17
-	2	-	2	NUT, 1/2-13. HEX. ZN	41A120	18
2	-	2	-	NUT, 1/2-13. HEX. S/S	41A515	18
-	2	-	2	SCREW, 1/2-13 x 1.00. HHCS, ZN	41A388	19
2	-	2	-	SCREW, 1/2-13 x 1.00. HHCS, S/S	41A478	19
4	4	4	4	SCREW, #10 x .625, PH TRSMS, SS	41A158	20
4	4	4	4	SCREW, #8 x .75. SLDR, HEX	41A542	21
2	2	2	2	GROMMET, .875 ID	11A086	22
1	1	1	1	JUNCTION BOX, WEATHERPROOF, 2-GANG	22B029	23
1	1	1	1	COVER, ELECTRICAL, BLANK, 2-GANG	22A084	24
1	1	1	1	JUNCTION BOX, WEATHERPROOF, 1-GANG	22A003	25
1	1	1	1	BELL BOX, COVER AND GASKET	22A004	26
2	2	2	2	BUSHING, SNAP	22A221	27

Roller Truck Assembly (Bottom Belt)

F4	F3	F2	F1	DESCRIPTION	PART#	Item #
-	-	-	1	ROLLER TRUCK ASSY, BOTTOM BELT, BP, IXP DOOR, GALV	24B226F1	-
-	-	1	-	ROLLER TRUCK ASSY, BOTTOM BELT, BP, IXP DOOR, S/S	24B226F2	-
-	1	-	-	ROLLER TRUCK ASSY, BOTTOM BELT, BP, IXP DOOR, HD, GALV	24B226F3	-
1	-	-	-	ROLLER TRUCK ASSY, BOTTOM BELT, BP, IXP DOOR, HD, S/S	24B226F4	-
-	1	-	1	BRACE, TROLLEY, BP, IXP DOOR, GALV	13B964F1	1
1	-	1	-	BRACE, TROLLEY, BP, IXP DOOR, S/S	13B964F2	1
-	-	-	2	TROLLEY ASSEMBLY, IXP DOOR, STD, ZINC	24B022F1	2
-	-	2	-	TROLLEY ASSEMBLY, IXP DOOR, STD, S/S	24B022F2	2
-	2	-	-	TROLLEY ASSEMBLY, IXP DOOR, HD, ZINC	24B298F1	2
2	-	-	-	TROLLEY ASSEMBLY, IXP DOOR, HD, S/S	24B298F2	2
-	1	-	1	BELT BRACKET, RH & LH SLIDES, IXP DOOR, ZINC	13B1149F1	3
1	-	1	-	BELT BRACKET, RH & LH SLIDES, IXP DOOR, S/S	13B1149F2	3
1	1	1	1	CLAMP PLATE, 8MM HTD BELT	14A191-A	4
-	8	-	8	SCREW, 5/16-18 x 1.00, HHCS, ZN	41A061	5
8	-	8	-	SCREW, 5/16-18 x 1.00, HHCS, S/S	41A346	5
-	12	-	12	WASHER, FLAT, 5/16, STANDARD, ZN	41A126	6
12	-	12	-	WASHER, FLAT, 5/16, STANDARD, S/S	41A608	6
-	8	-	8	SCREW, 5/16-18 x .625, HHCS, ZN	41A113	7
8	-	8	-	SCREW, 5/16-18 x .625, HHCS, S/S	41A611	7
-	8	-	8	WASHER, LOCK, 5/16, REG. SPLIT, ZN	41A093	8
8	-	8	-	WASHER, LOCK, 5/16, REG. SPLIT, S/S	41A347	8
-	4	-	4	HEX NUT, 5/16-18, ZN	41A092	9
4	-	4	-	HEX NUT, 5/16-18, S/S	41A345	9
-	8	-	8	NUT, 5/16 WHIZLOCK, ZN	41A033	10
8	-	8	-	NUT, 5/16 WHIZLOCK, S/S	41A712	10
-	6	-	6	HOLE PLUG, 1-3/8" DIA., NICKEL	16A115	11
6	-	6	-	HOLE PLUG, 1-3/8" DIA., BLACK PLASTIC	16A144	11

Part # 24B226

When ordering parts, specify Job Number, Door Number and Manufacture Date

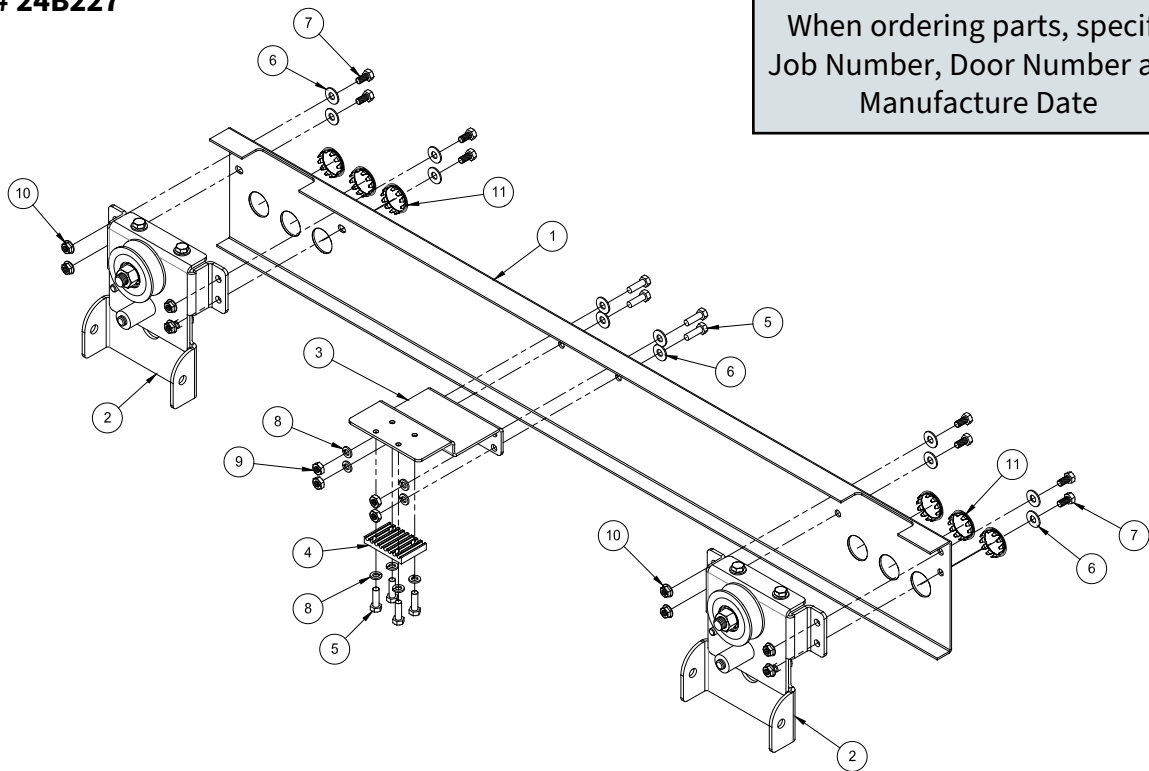


Roller Truck Assembly (Top Belt)

F4	F3	F2	F1	DESCRIPTION	PART#	ITEM #
-	-	-	1	ROLLER TRUCK ASSY, TOPBELT, BP, IXP DOOR, GALV	24B227F1	-
-	-	1	-	ROLLER TRUCK ASSY, TOPBELT, BP, IXP DOOR, S/S	24B227F2	-
-	1	-	-	ROLLER TRUCK ASSY, TOPBELT, BP, IXP DOOR, HD, GALV	24B227F3	-
1	-	-	-	ROLLER TRUCK ASSY, TOPBELT, BP, IXP DOOR, HD, S/S	24B227F4	-
-	1	-	1	BRACE, TROLLEY, BP, IXP DOOR, GALV	13B964F1	1
1	-	1	-	BRACE, TROLLEY, BP, IXP DOOR, S/S	13B964F2	1
-	-	-	2	TROLLEY ASSEMBLY, IXP DOOR, STD, ZINC	24B022F1	2
-	-	2	-	TROLLEY ASSEMBLY, IXP DOOR, STD, S/S	24B022F2	2
-	2	-	-	TROLLEY ASSEMBLY, IXP DOOR, HD, ZINC	24B298F1	2
2	-	-	-	TROLLEY ASSEMBLY, IXP DOOR, HD, S/S	24B298F2	2
-	1	-	1	BELT BRACKET, RH & LH SLIDES, IXP DOOR, ZINC	13B1149F1	3
1	-	1	-	BELT BRACKET, RH & LH SLIDES, IXP DOOR, S/S	13B1149F2	3
1	1	1	1	CLAMP PLATE, 8MM HTD BELT	14A191-A	4
-	8	-	8	SCREW, 5/16-18 x 1.00, HHCS, ZN	41A061	5
8	-	8	-	SCREW, 5/16-18 x 1.00, HHCS, S/S	41A346	5
-	12	-	12	WASHER, FLAT, 5/16, STANDARD, ZN	41A126	6
12	-	12	-	WASHER, FLAT, 5/16, STANDARD, S/S	41A608	6
-	8	-	8	SCREW, 5/16-18 x .625, HHCS, ZN	41A113	7
8	-	8	-	SCREW, 5/16-18 x .625, HHCS, S/S	41A611	7
-	8	-	8	WASHER, LOCK, 5/16, REG. SPLIT, ZN	41A093	8
8	-	8	-	WASHER, LOCK, 5/16, REG. SPLIT, S/S	41A347	8
-	4	-	4	HEX NUT, 5/16-18, ZN	41A092	9
4	-	4	-	HEX NUT, 5/16-18, S/S	41A345	9
-	8	-	8	NUT, 5/16 WHIZLOCK, ZN	41A033	10
8	-	8	-	NUT, 5/16 WHIZLOCK, S/S	41A712	10
-	6	-	6	HOLE PLUG, 1-3/8" DIA., NICKEL	16A115	11
6	-	6	-	HOLE PLUG, 1-3/8" DIA., BLACK PLASTIC	16A144	11

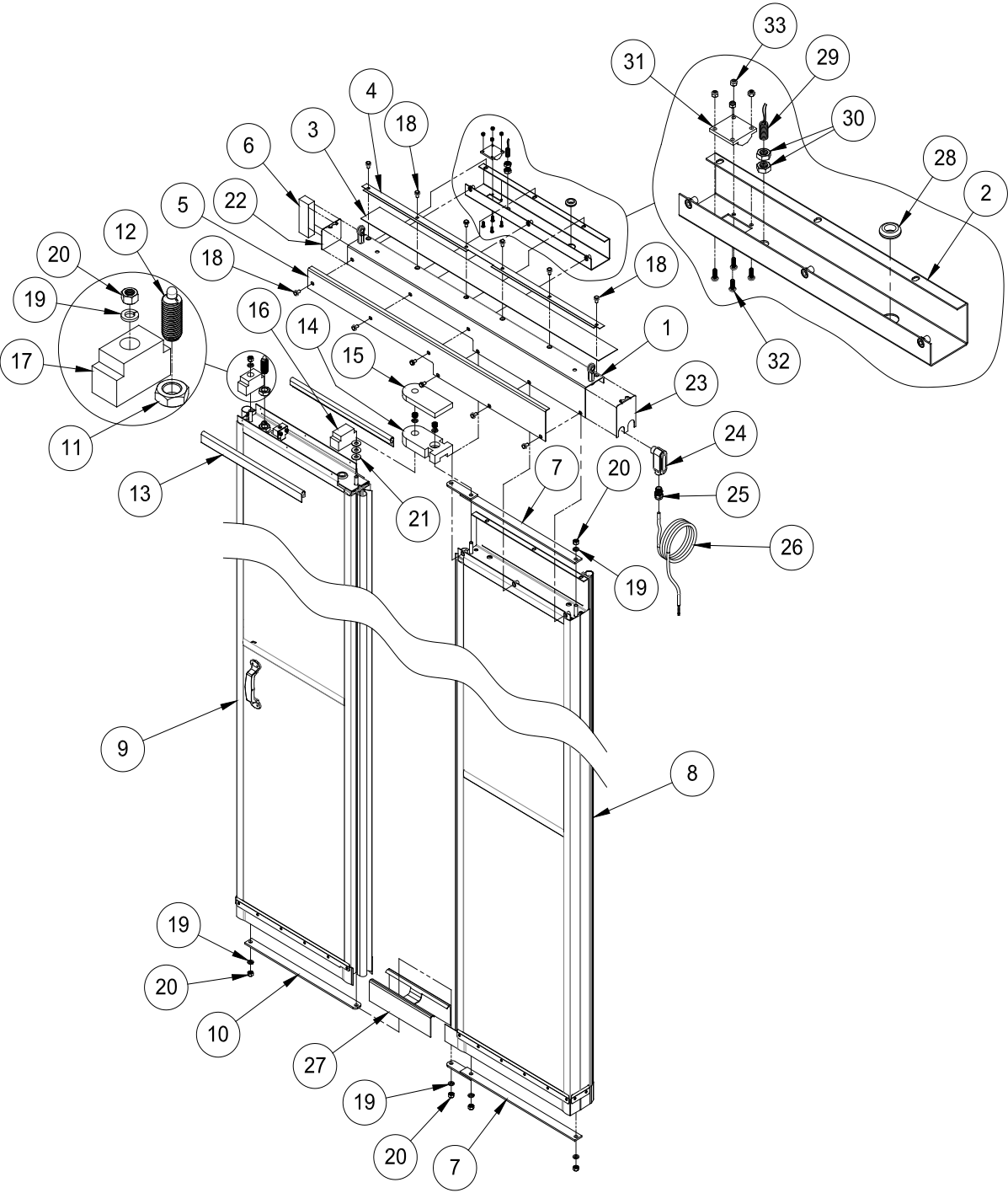
Part # 24B227

When ordering parts, specify Job Number, Door Number and Manufacture Date



REPLACEMENT PARTS

Door Panel Assembly, RH



REPLACEMENT PARTS

When ordering parts, specify Job Number, Door Number and Manufacture Date

Door Panel Assembly, RH

								DESCRIPTION	PART#	ITEM #
-	-	-	-	-	-	-	1	DOOR ASSY, RH, W<=96, H<=144, BP, IXP, GALV	86D038F1	-
-	-	-	-	-	-	-	1	DOOR ASSY, RH, W<=96, H<=144, BP, IXP, S/S	86D038F2	-
-	-	-	-	-	1	-	-	DOOR ASSY, W<=96, H>144, RH, BP, IXP, GALV	86D050F1	-
-	-	-	-	1	-	-	-	DOOR ASSY, W<=96, H>144, RH, BP, IXP, S/S	86D050F2	-
-	-	-	1	-	-	-	-	DOOR ASSY, W>96 H<=144, RH, BP, IXP, GALV	86D039F1	-
-	-	1	-	-	-	-	-	DOOR ASSY, W>96 H<=144, RH, BP, IXP, S/S	86D039F2	-
-	1	-	-	-	-	-	-	DOOR ASSY, RH, W>96, H>144, BP, IXP, GALV	86D051F1	-
1	-	-	-	-	-	-	-	DOOR ASSY, RH, W>96, H>144, BP, IXP, S/S	86D051F2	-
-	-	-	-	-	-	-	1	ASSY, HEADER CHNL, RH, WIC < 96, BP, IXP, GALV	24B286F1	1
-	-	-	-	1	-	1	-	ASSY, HEADER CHNL, RH, WIC < 96, BP, IXP, S/S	24B286F2	1
-	1	-	1	-	-	-	-	ASSY, HEADER CHNL, RH, WIC >= 96, BP, IXP, GALV	24B285F1	1
1	-	1	-	-	-	-	-	ASSY, HEADER CHNL, RH, WIC >= 96, BP, IXP, S/S	24B285F2	1
-	-	-	-	-	1	-	1	ASSY, 18" SWING, <= 96 WIC, RH, BP IXP, GALV	24B282F1	2
-	-	-	-	1	-	1	-	ASSY, 18" SWING, <= 96 WIC, RH, BP IXP, S/S	24B282F2	2
-	1	-	1	-	-	-	-	ASSY, 24" SWING, >= 96 WIC, RH, BP IXP DOOR, GALV	24B281F1	2
1	-	1	-	-	-	-	-	ASSY, 24" SWING, >= 96 WIC, RH, BP IXP DOOR, S/S	24B281F2	2
1	1	1	1	1	1	1	1	GASKET, 4.00", URETHANE, BLACK, (WIC/2) + 2.5"	15A016	3
-	-	-	-	1	1	1	1	RETAINER, GASKET, TOP, IXP, BP, W < 96, RH	13B1433	4
1	1	1	1	-	-	-	-	RETAINER, GASKET, TOP, IXP, BP, W >= 96, RH	13B1416	4
-	-	-	-	-	1	-	-	PLATE, DBLR, HDR CHNL, RH, WIC < 96, BP, IXP, GALV	13B1408F1	5
-	-	-	-	1	-	-	-	PLATE, DBLR, HDR CHNL, RH, WIC < 96, BP, IXP, S/S	13B1408F2	5
-	1	-	-	-	-	-	-	PLATE, DBLR, HDR CHNL, RH, WIC >= 96, BP, IXP, GALV	13B1410F1	5
1	-	-	-	-	-	-	-	PLATE, DBLR, HDR CHNL, RH, WIC >= 96, BP, IXP, S/S	13B1410F2	5
1	1	1	1	1	1	1	1	FOAM BUMPER PAD, 1-1/4" X 2" X 5-7/8"	15A063	6
-	-	-	-	-	2	-	2	WELDMENT, PIVOT BAR, < 96 WIC, BP IXP, HR	28B109F1	7
-	-	-	-	2	-	2	-	WELDMENT, PIVOT BAR, < 96 WIC, BP IXP, S/S	28B109F2	7
-	2	-	2	-	-	-	-	WELDMENT, PIVOT BAR, >= 96 WIC, BP IXP, HR	28B108F1	7
2	-	2	-	-	-	-	-	WELDMENT, PIVOT BAR, >= 96 WIC, BP IXP, S/S	28B108F2	7

When ordering parts, specify
Job Number, Door Number and
Manufacture Date

Door Panel Assembly, RH

								DESCRIPTION	PART#	ITEM #
-	-	-	-	-	-	-	1	DOOR ASSY, RH, W<=96, H<=144, BP, IXP, GALV	86D038F1	-
-	-	-	-	-	-	-	1	DOOR ASSY, RH, W<=96, H<=144, BP, IXP, S/S	86D038F2	-
-	-	-	-	-	-	1	-	DOOR ASSY, W<=96, H>144, RH, BP, IXP, GALV	86D050F1	-
-	-	-	-	-	1	-	-	DOOR ASSY, W<=96, H>144, RH, BP, IXP, S/S	86D050F2	-
-	-	-	1	-	-	-	-	DOOR ASSY, W>96 H<=144, RH, BP, IXP, GALV	86D039F1	-
-	-	1	-	-	-	-	-	DOOR ASSY, W>96 H<=144, RH, BP, IXP, S/S	86D039F2	-
-	1	-	-	-	-	-	-	DOOR ASSY, RH, W>96, H>144, BP, IXP, GALV	86D051F1	-
1	-	-	-	-	-	-	-	DOOR ASSY, RH, W>96, H>144, BP, IXP, S/S	86D051F2	-
-	-	-	-	-	-	-	1	DOOR ASM, FIXED, RH, W<96, H<=144, BP, IXP, GALV	86D040F1	8
-	-	-	-	-	-	-	1	DOOR ASM, FIXED, RH, W<96, H<=144, BP, IXP, S/S	86D040F2	8
-	-	-	-	-	-	1	-	DOOR ASSY, FIXED, RH, W<96, H>144, BP, IXP, GALV	86D052F1	8
-	-	-	-	1	-	-	-	DOOR ASSY, FIXED, RH, W<96, H>144, BP, IXP, S/S	86D052F2	8
-	-	-	1	-	-	-	-	DOOR ASSY, FIXED, RH, W>=96 H<=144, BP, IXP, GALV	86D042F1	8
-	-	1	-	-	-	-	-	DOOR ASSY, FIXED, RH, W>=96 H<=144, BP, IXP, S/S	86D042F2	8
-	1	-	-	-	-	-	-	DOOR ASSY, FIXED, RH, W>=96, H>144, BP, IXP, GALV	86D054F1	8
1	-	-	-	-	-	-	-	DOOR ASSY, FIXED, RH, W>=96, H>144, BP, IXP, S/S	86D054F2	8
-	-	-	-	-	-	-	1	DOOR ASM, 18" SWING, RH, W<96, H<=144, BP, IXP, GALV	86D041F1	9
-	-	-	-	-	-	-	1	DOOR ASM, 18" SWING, RH, W<96, H<=144, BP, IXP, S/S	86D041F2	9
-	-	-	-	-	-	1	-	DOOR ASSY, 18" SWING, RH, W<96, H>144, BP, IXP, GALV	86D053F1	9
-	-	-	-	1	-	-	-	DOOR ASSY, 18" SWING, RH, W<96, H>144, BP, IXP, S/S	86D053F2	9
-	-	-	1	-	-	-	-	DOOR ASSY, 24" SWING, RH, W>=96 H<=144, BP, IXP, GALV	86D043F1	9
-	-	1	-	-	-	-	-	DOOR ASSY, 24" SWING, RH, W>=96 H<=144, BP, IXP, S/S	86D043F2	9
-	1	-	-	-	-	-	-	DOOR ASSY, 24" SWING, RH, W>=96, H>144, BP, IXP, GALV	86D055F1	9
1	-	-	-	-	-	-	-	DOOR ASSY, 24" SWING, RH, W>=96, H>144, BP, IXP, S/S	86D055F2	9
-	-	-	-	-	1	-	1	PIVOT BAR, 18" SWING PANEL, BP, IXP DOOR, HR	14B190F1	10
-	-	-	-	1	-	1	-	PIVOT BAR, 18" SWING PANEL, BP, IXP DOOR, S/S	14B190F2	10
-	1	-	1	-	-	-	-	PIVOT BAR, 24" SWING PANEL, BP, IXP DOOR, HR	14B189F1	10
1	-	1	-	-	-	-	-	PIVOT BAR, 24" SWING PANEL, BP, IXP DOOR, S/S	14B189F2	10
-	1	-	1	-	1	-	1	NUT, 1-8 UNC, JAM, HEX, ZN	41A198	11
1	-	1	-	1	-	1	-	NUT, 1-8 UNC, JAM, HEX, SS	41A834	11
1	1	1	1	1	1	1	1	SPRING PLUNGER, 1"-8 UNC	41A797	12
-	-	-	-	2	2	2	2	BULB SEAL, 18" SWING PANEL, BP IXP DOOR	15A048	13
2	2	2	2	-	-	-	-	BULB SEAL, 24" SWING PANEL, BP IXP DOOR	15A047	13

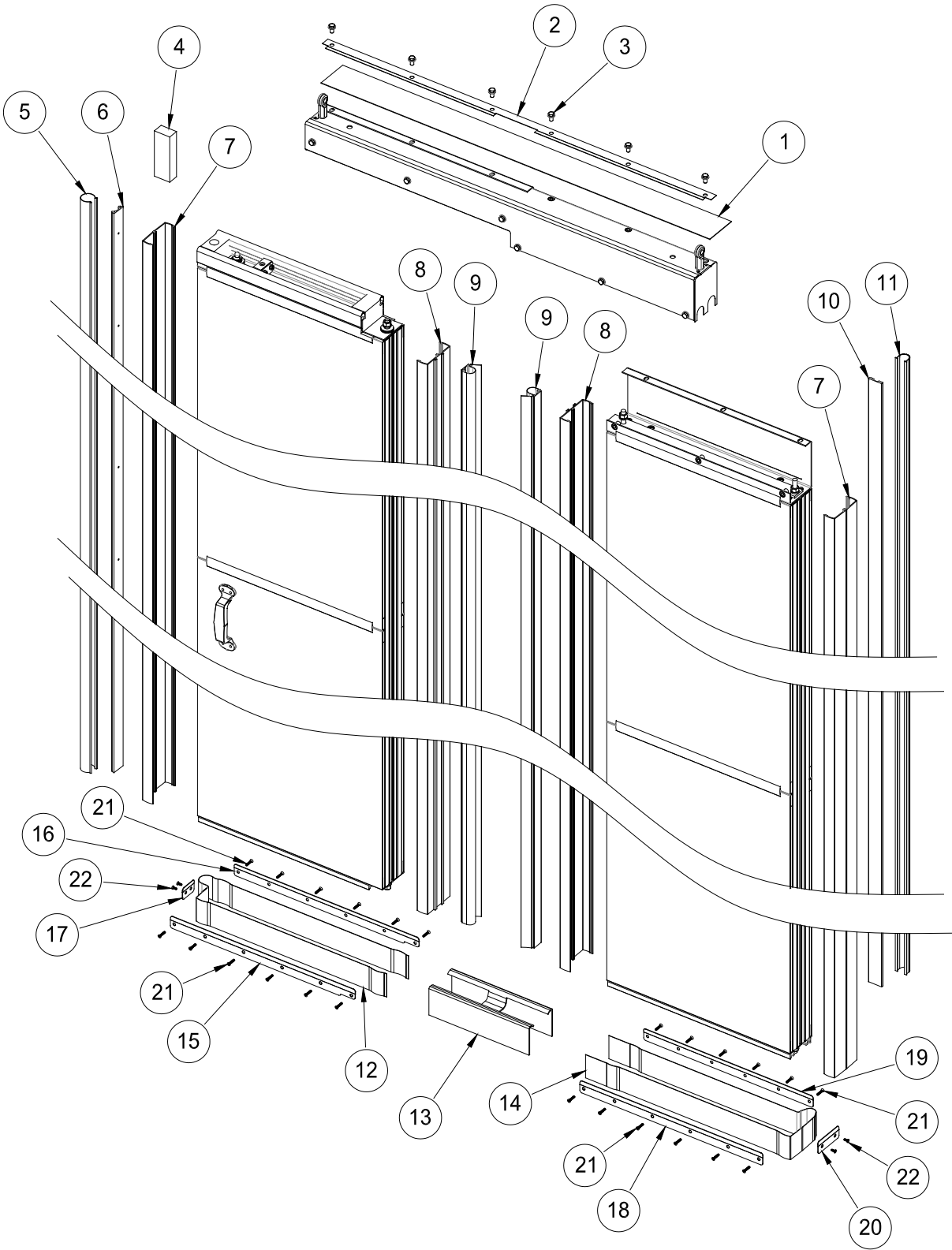
When ordering parts, specify
Job Number, Door Number and
Manufacture Date

Door Panel Assembly, RH

								DESCRIPTION	PART#	ITEM #
-	-	-	-	-	-	-	1	DOOR ASSY, RH, W<=96, H<=144, BP, IXP, GALV	86D038F1	-
-	-	-	-	-	-	-	1	DOOR ASSY, RH, W<=96, H<=144, BP, IXP, S/S	86D038F2	-
-	-	-	-	-	1	-	-	DOOR ASSY, W<=96, H>144, RH, BP, IXP, GALV	86D050F1	-
-	-	-	-	1	-	-	-	DOOR ASSY, W<=96, H>144, RH, BP, IXP, S/S	86D050F2	-
-	-	-	1	-	-	-	-	DOOR ASSY, W>96 H<=144, RH, BP, IXP, GALV	86D039F1	-
-	-	1	-	-	-	-	-	DOOR ASSY, W>96 H<=144, RH, BP, IXP, S/S	86D039F2	-
-	1	-	-	-	-	-	-	DOOR ASSY, RH, W>96, H>144, BP, IXP, GALV	86D051F1	-
1	-	-	-	-	-	-	-	DOOR ASSY, RH, W>96, H>144, BP, IXP, S/S	86D051F2	-
1	1	1	1	1	1	1	1	PIVOT BLOCK, RADIUS, SWING, BOTTOM, IXP DOOR	11A080	14
1	1	1	1	1	1	1	1	PIVOT BLOCK, RADIUS, SWING, TOP, IXP DOOR	11A081	15
1	1	1	1	1	1	1	1	SEAL BLOCK, CENTER, SWING, IXP DOOR	11A089	16
1	1	1	1	1	1	1	1	SEAL BLOCK, LEAD EDGE, SWING, IXP DOOR	11A091	17
-	12	-	12	-	12	-	12	SCREW, 3/8-16 X 5/8 WHIZ ZN	41A297	18
12	-	12	-	12	-	12	-	SCREW, 3/8-16 X 5/8 WHIZ SS	41A839	18
								WASHER, LOCK, 1/2, REG SPLIT, ZN	41A119	19
								WASHER, LOCK, 1/2, REG SPLIT, SS	41A558	19
								NUT, 1/2-20, HEX, ZN	41A200	20
								NUT, 1/2-20, HEX, SS	41A813	20
								WASHER, FLAT, 1/2, STANDARD, ZN	41A043	21
								WASHER, FLAT, 1/2, STANDARD, SS	41A516	21
								END CAP, HEADER CHNL, SWING, IXP DOOR, GALV	13A456F1	22
								END CAP, HEADER CHNL, SWING, IXP DOOR, S/S	13A456F2	22
								END CAP, HEADER CHNL, FIXED, RH, IXP DOOR, GALV	13A457F1	23
								END CAP, HEADER CHNL, FIXED, RH, IXP DOOR, S/S	13A457F2	23
								ELEC BOX ASSY, 90° ELBOW, 1/2"	22A280	24
								CONNECTOR, CORD GRIP, .438"-.500"	23A031	25
								CABLE, 18GA., 4 CONDUCTOR, 7 AMP, (WIC/2)+36"	22A283	26
								SEAL, PIVOT, BOTTOM, IXP DOORS	15B025	27
								GROMMET, .875 ID	11A086	28
								ASM, REED SWITCH & RETAINER	24B164	29
								NUT, 5/8-11, JAM, HEX	41A458	30
								V-BLOCK, SWING PANEL, IXP DOOR	14A028	31
								SCREW, 1/4-20, X .750, SL PHMS	41A489	32
								NUT, 1/4-20, HEX, NYLOCK	41A337	33

When ordering parts, specify
Job Number, Door Number and
Manufacture Date

Door Panel Gaskets & Capping, RH



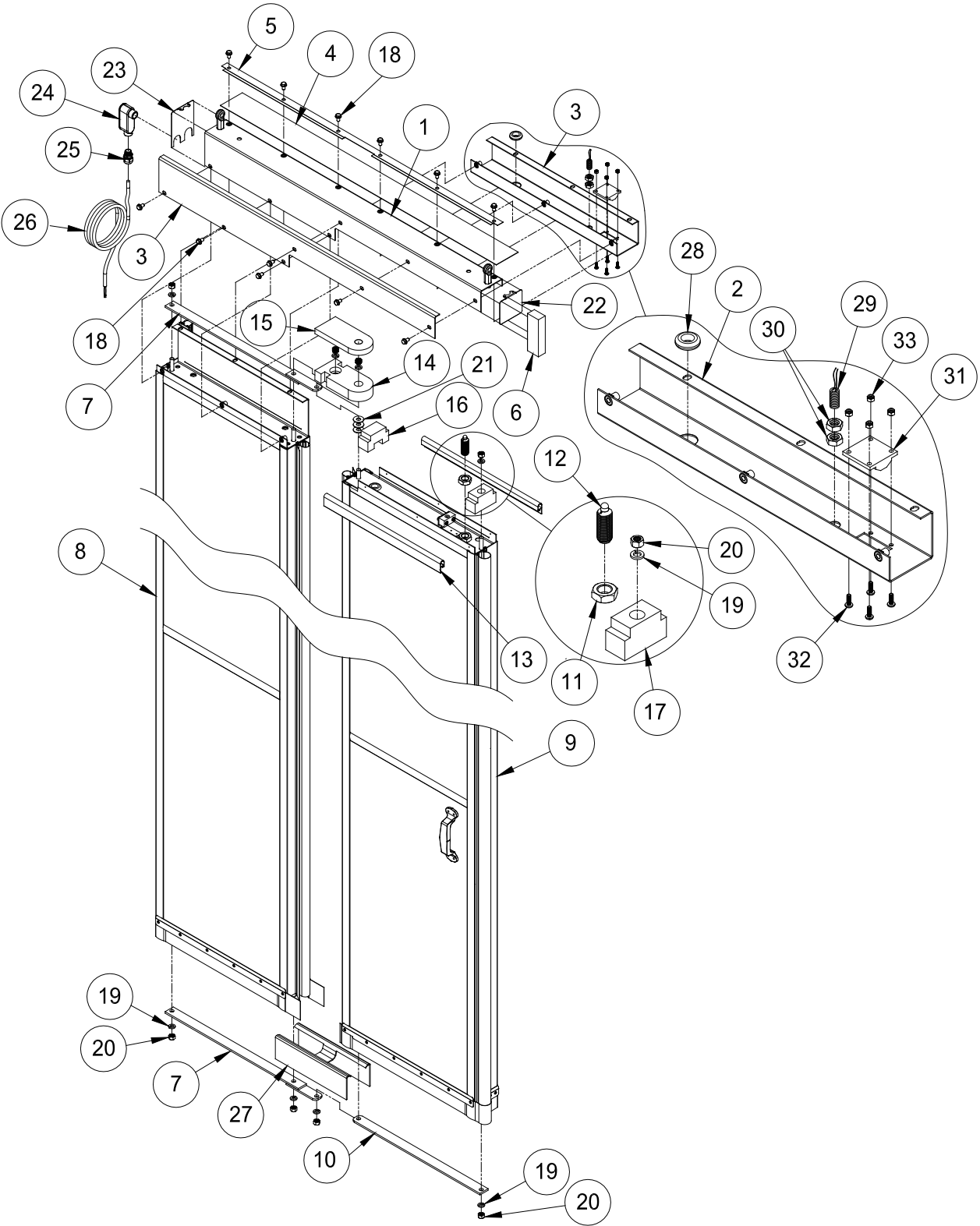
REPLACEMENT PARTS

Control Panel Assembly

				DESCRIPTION	PART#	ITEM #
-	-	-	1	DOOR ASSEMBLY, RH, BI-PART, IXP, WIC < 96", HIC <= 144"	86D038	-
-	-	1	-	DOOR ASSEMBLY, RH, BI-PART, IXP, WIC >= 96", HIC <= 144"	86D039	-
-	1	-	-	DOOR ASSEMBLY, RH, BI-PART, IXP, WIC < 96", HIC > 144"	86D050	-
1	-	-	-	DOOR ASSEMBLY, RH, BI-PART, IXP, WIC >= 96", HIC > 144"	86D051	-
1	1	1	1	GASKET, 4.00", URETHANE, BLACK, (WIC/2) + 2.5"	15A016	1
-	1	-	1	RETAINER, GASKET, TOP, IXP, BP, W<96, RH	13B1433	2
1	-	1	-	RETAINER, GASKET, TOP, IXP, BP, W>=96, RH	13B1416	2
A/R	A/R	A/R	A/R	SCREW, 3/8-16 X 5/8 WHIZ ZN	41A297	3
A/R	A/R	A/R	A/R	SCREW, 3/8-16 X 5/8 WHIZ, S/S	41A839	3
1	1	1	1	FOAM BUMPER PAD, 1-1/4" X 2" X 5-7/8"	15A063	4
1	1	1	1	GASKET, FLEX, EXTR LT. GRAY, HIC - 2.75"	15A041	5
1	1	1	1	GASKET RETAINER, VINYL, HIC - 4.25"	11A061	6
2	2	2	2	PANEL CLIP, SIDE, SINGLE-SLIDE, IXP DOOR	14B164	7
2	2	2	2	PANEL CLIP, W/SEAL, IXP DOOR	14B180	8
2	2	2	2	BULB/BLADE SEAL, SINGLE-SLIDE, IXP DOOR	15B020	9
1	1	1	1	RETAINER, "T"-STYLE BULB SEAL, HIC + 1.5"	15A124	10
1	1	1	1	BULB SEAL, "T"-STYLE, 3", HIC + 2.75"	15A125	11
-	1	-	1	GASKET, 3.00", URETHANE, BLACK, (WIC / 2) - 2.0"	15A017	12
1	-	1	-	GASKET, 3.00", URETHANE, BLACK, (WIC / 2) + 9.5"	15A017	12
1	1	1	1	SEAL, PIVOT, BOTTOM, IXP DOORS	15B025	13
-	1	-	1	GASKET, 3.00", URETHANE, BLACK, (WIC / 2) + 24.0"	15A017	14
1	-	1	-	GASKET, 3.00", URETHANE, BLACK, (WIC / 2) + 17.5"	15A017	14
-	1	-	1	RETAINER, GASKET, 18" SWING, BOTTOM, RH, IXP, BP	13B1418	15
1	-	1	-	RETAINER, GASKET, 24" SWING, BOTTOM, RH, IXP, BP	13B1419	15
-	1	-	1	RETAINER, GASKET, 18" SWING, BOTTOM, LH, IXP, BP	13B1428	16
1	-	1	-	RETAINER, GASKET, 24" SWING, BOTTOM, LH, IXP, BP	13B1429	16
1	1	1	1	RETAINER, GASKET, LEAD EDGE, BOTTOM, IXP, BP	13B1426	17
-	1	-	1	RTNR, GSKT, WIC<96 FIXED, BOT, FRNT, IXP, BP	13B1420	18
1	-	1	-	RTNR, GSKT, WIC>=96 FIXED, BOT, FRNT, IXP, BP	13B1422	18
-	1	-	1	RTNR, GSKT, WIC<96 FIXED, BOT, BACK, IXP, BP	13B1421	19
1	-	1	-	RTNR, GSKT, WIC>=96 FIXED, BOT, BACK, IXP, BP	13B1423	19
1	1	1	1	RETAINER, GASKET, END, BOTTOM, IXP DOORS	13B1427	20
A/R	A/R	A/R	A/R	SCREW, #10-24 x 1.00, PH FHMS, SS	41A199	21
4	4	4	4	SCREW, #10-24 x .50, PH FHMS, SS	41A141	22

When ordering parts, specify
Job Number, Door Number and
Manufacture Date

Door Panel Assembly, LH



When ordering parts, specify
Job Number, Door Number and
Manufacture Date

Door Panel Assembly, LH

								DESCRIPTION	PART#	ITEM #
-	-	-	-	-	-	-	1	DOOR ASSY, LH, W<=96 H<=144, BP, IXP, GALV	86D032F1	-
-	-	-	-	-	-	-	1	DOOR ASSY, LH, W<=96 H<=144, BP, IXP, S/S	86D032F2	-
-	-	-	-	-	-	1	-	DOOR ASSY, LH, W<=96, H>144, LH, BP, IXP, GALV	86D044F1	-
-	-	-	-	-	1	-	-	DOOR ASSY, LH, W<=96, H>144, LH, BP, IXP, S/S	86D044F2	-
-	-	-	1	-	-	-	-	DOOR ASSY, LH, W>96 H<=144, BP, IXP, GALV	86D033F1	-
-	-	1	-	-	-	-	-	DOOR ASSY, LH, W>96 H<=144, BP, IXP, S/S	86D033F2	-
-	1	-	-	-	-	-	-	DOOR ASSY, LH, W>96 H>144, LH, BP, IXP, GALV	86D045F1	-
1	-	-	-	-	-	-	-	DOOR ASSY, LH, W>96 H>144, LH, BP, IXP, S/S	86D045F2	-
-	-	-	-	-	1	-	1	ASSY, HEADER CHNL, LH, WIC < 96, BP, IXP, GALV	24B292F1	1
-	-	-	-	-	1	-	1	ASSY, HEADER CHNL, LH, WIC < 96, BP, IXP, S/S	24B292F2	1
-	1	-	1	-	-	-	-	ASSY, HEADER CHNL, LH, WIC >= 96, BP, IXP, GALV	24B291F1	1
1	-	1	-	-	-	-	-	ASSY, HEADER CHNL, LH, WIC >= 96, BP, IXP, S/S	24B291F2	1
-	-	-	-	-	1	-	1	ASSY, 18" SWING, < 96 WIC, LH, BP IXP DOOR, GALV	24B294F1	2
-	-	-	-	-	1	-	1	ASSY, 18" SWING, < 96 WIC, LH, BP IXP DOOR, S/S	24B294F2	2
-	1	-	1	-	-	-	-	ASSY, 24" SWING, >= 96 WIC, LH, BP IXP DOOR, GALV	24B293F1	2
1	-	1	-	-	-	-	-	ASSY, 24" SWING, >= 96 WIC, LH, BP IXP DOOR, S/S	24B293F2	2
-	-	-	-	-	1	-	-	PLATE, DBLR, HDR CHNL, LH, WIC < 96, BP, IXP, GALV	13B1409F1	3
-	-	-	-	-	1	-	-	PLATE, DBLR, HDR CHNL, LH, WIC < 96, BP, IXP, S/S	13B1409F2	3
-	1	-	-	-	-	-	-	PLATE, DBLR, HDR CHNL, LH, WIC >= 96, BP, IXP, GALV	13B1411F1	3
1	-	-	-	-	-	-	-	PLATE, DBLR, HDR CHNL, LH, WIC >= 96, BP, IXP, S/S	13B1411F2	3
1	1	1	1	1	1	1	1	GASKET, 4.00", URETHANE, BLACK, (WIC/2) + 2.5"	15A016	4
-	-	-	-	-	1	1	1	RETAINER, GASKET, TOP, IXP, BP, W< 96, LH	13B1434	5
1	1	1	1	-	-	-	-	RETAINER, GASKET, TOP, IXP, BP, W >= 96, LH	13B1417	5
1	1	1	1	1	1	1	1	FOAM BUMPER PAD, 1-1/4" X 2" X 5-7/8"	15A063	6
-	-	-	-	-	2	-	2	WELDMENT, PIVOT BAR, < 96 WIC, BP IXP, HR	28B109F1	7
-	-	-	-	-	2	-	2	WELDMENT, PIVOT BAR, < 96 WIC, BP IXP, S/S	28B109F2	7
-	2	-	2	-	-	-	-	WELDMENT, PIVOT BAR, >= 96 WIC, BP IXP, HR	28B108F1	7
2	-	2	-	-	-	-	-	WELDMENT, PIVOT BAR, >= 96 WIC, BP IXP, S/S	28B108F2	7

Door Panel Assembly, LH

								DESCRIPTION	PART#	ITEM #
-	-	-	-	-	-	-	1	DOOR ASSY, LH, W<=96 H<=144, BP, IXP, GALV	86D032F1	-
-	-	-	-	-	-	-	1	DOOR ASSY, LH, W<=96 H<=144, BP, IXP, S/S	86D032F2	-
-	-	-	-	-	1	-	-	DOOR ASSY, LH, W<=96, H>144, LH, BP, IXP, GALV	86D044F1	-
-	-	-	-	1	-	-	-	DOOR ASSY, LH, W<=96, H>144, LH, BP, IXP, S/S	86D044F2	-
-	-	-	1	-	-	-	-	DOOR ASSY, LH, W>96 H<=144, BP, IXP, GALV	86D033F1	-
-	-	1	-	-	-	-	-	DOOR ASSY, LH, W>96 H<=144, BP, IXP, S/S	86D033F2	-
-	1	-	-	-	-	-	-	DOOR ASSY, LH, W>96 H>144, LH, BP, IXP, GALV	86D045F1	-
1	-	-	-	-	-	-	-	DOOR ASSY, LH, W>96 H>144, LH, BP, IXP, S/S	86D045F2	-
-	-	-	-	-	-	-	1	DOOR ASSY, FIXED, LH, W<96 H<=144, BP, IXP, GALV	86D034F1	8
-	-	-	-	-	-	-	1	DOOR ASSY, FIXED, LH, W<96 H<=144, BP, IXP, S/S	86D034F2	8
-	-	-	-	-	1	-	-	DOOR ASSY, FIXED, LH, W<96, H>144, BP, IXP, GALV	86D046F1	8
-	-	-	-	1	-	-	-	DOOR ASSY, FIXED, LH, W<96, H>144, BP, IXP, S/S	86D046F2	8
-	-	-	1	-	-	-	-	ASM, DOOR, FIXED, LH, W>=96 H<=144, BP, IXP, GALV	86D036F1	8
-	-	1	-	-	-	-	-	ASM, DOOR, FIXED, LH, W>=96 H<=144, BP, IXP, S/S	86D036F2	8
-	1	-	-	-	-	-	-	DOOR ASSY, FIXED, LH, W>=96 H>144, BP, IXP, GALV	86D048F1	8
1	-	-	-	-	-	-	-	DOOR ASSY, FIXED, LH, W>=96 H>144, BP, IXP, S/S	86D048F2	8
-	-	-	-	-	-	-	1	DOOR ASSY, 18" SWING, LH, <96 WIC <=144 HIC, BP, IXP, GALV	86D035F1	9
-	-	-	-	-	-	1	-	DOOR ASSY, 18" SWING, LH, <96 WIC <=144 HIC, BP, IXP, S/S	86D035F2	9
-	-	-	-	-	1	-	-	DOOR ASSY, 18" SWING, LH, W<96, H>144, BP, IXP, GALV	86D047F1	9
-	-	-	-	1	-	-	-	DOOR ASSY, 18" SWING, LH, W<96, H>144, BP, IXP, S/S	86D047F2	9
-	-	-	1	-	-	-	-	ASM, DOOR, 24" SWING, LH, W>=96 H<=144, BP, IXP, GALV	86D037F1	9
-	-	1	-	-	-	-	-	ASM, DOOR, 24" SWING, LH, W>=96 H<=144, BP, IXP, S/S	86D037F2	9
-	1	-	-	-	-	-	-	DOOR ASM, 24" SWING, LH, W>=96 H>144, BP, IXP, GALV	86D049F1	9
1	-	-	-	-	-	-	-	DOOR ASM, 24" SWING, LH, W>=96 H>144, BP, IXP, S/S	86D049F2	9
-	-	-	-	-	1	-	1	PIVOT BAR, 18" SWING PANEL, BP, IXP, HR	14B190F1	10
-	-	-	-	1	-	1	-	PIVOT BAR, 18" SWING PANEL, BP, IXP, S/S	14B190F2	10
-	1	-	1	-	-	-	-	PIVOT BAR, 24" SWING PANEL, BP, IXP DOOR, HR	14B189F1	10
1	-	1	-	-	-	-	-	PIVOT BAR, 24" SWING PANEL, BP, IXP DOOR, S/S	14B189F2	10
-	1	-	1	-	1	-	1	NUT, 1-8 UNC, JAM, HEX, ZN	41A198	11
1	-	1	-	1	-	1	-	NUT, 1-8 UNC, JAM, HEX, SS	41A834	11
1	1	1	1	1	1	1	1	SPRING PLUNGER, 1"-8 UNC	41A797	12
-	-	-	-	2	2	2	2	BULB SEAL, 18" SWING PANEL, BP IXP	15A048	13
2	2	2	2	-	-	-	-	BULB SEAL, 24" SWING PANEL, BP IXP DOOR	15A047	13

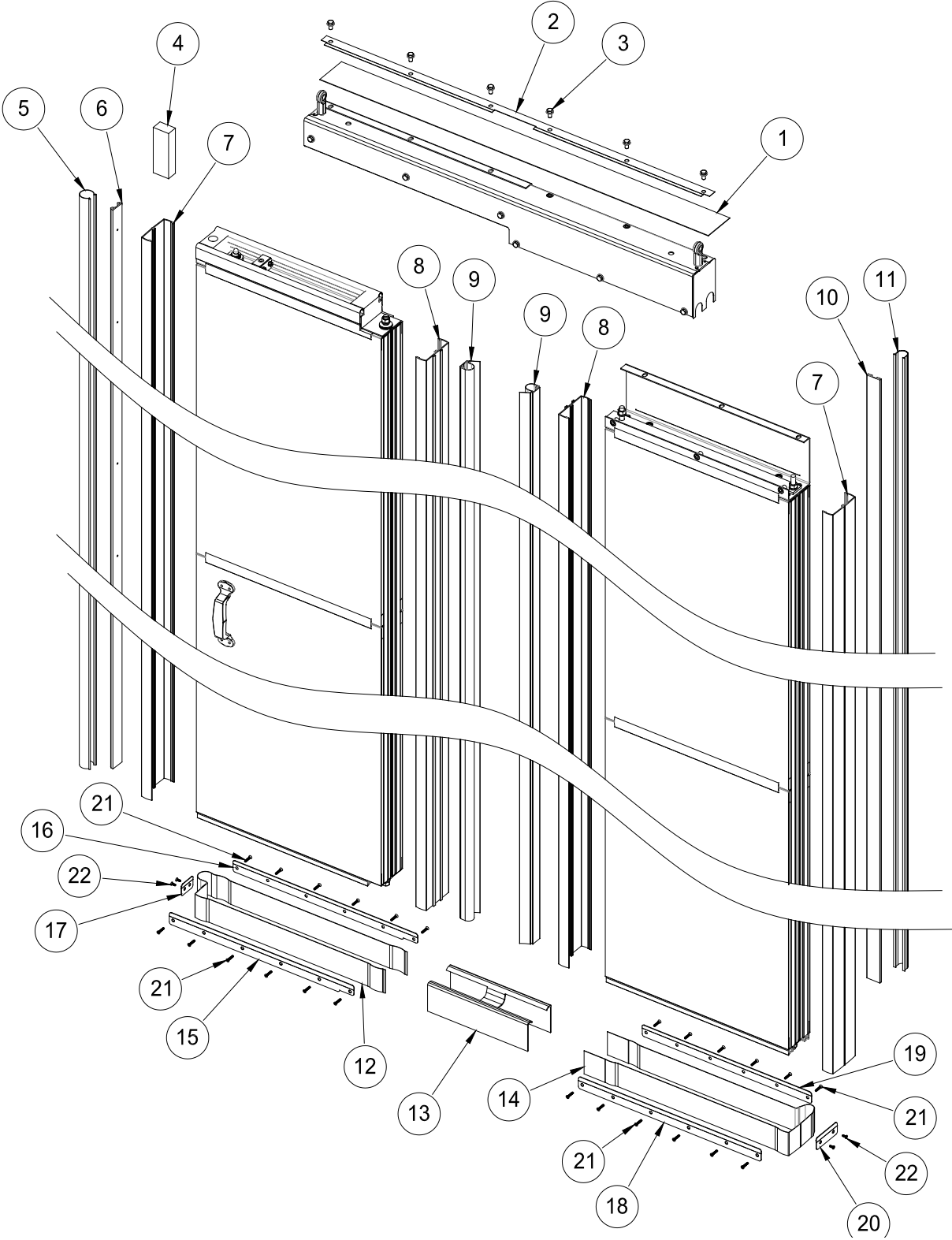
When ordering parts, specify
Job Number, Door Number and
Manufacture Date

Door Panel Assembly, LH

								DESCRIPTION	PART#	ITEM #
-	-	-	-	-	-	-	1	DOOR ASSY, LH, W<=96 H<=144, BP, IXP, GALV	86D032F1	-
-	-	-	-	-	-	-	1	DOOR ASSY, LH, W<=96 H<=144, BP, IXP, S/S	86D032F2	-
-	-	-	-	-	1	-	-	DOOR ASSY, LH, W<=96, H>144, LH, BP, IXP, GALV	86D044F1	-
-	-	-	-	1	-	-	-	DOOR ASSY, LH, W<=96, H>144, LH, BP, IXP, S/S	86D044F2	-
-	-	-	1	-	-	-	-	DOOR ASSY, LH, W>96 H<=144, BP, IXP, GALV	86D033F1	-
-	-	1	-	-	-	-	-	DOOR ASSY, LH, W>96 H<=144, BP, IXP, S/S	86D033F2	-
-	1	-	-	-	-	-	-	DOOR ASSY, LH, W>96 H>144, LH, BP, IXP, GALV	86D045F1	-
1	-	-	-	-	-	-	-	DOOR ASSY, LH, W>96 H>144, LH, BP, IXP, S/S	86D045F2	-
1	1	1	1	1	1	1	1	PIVOT BLOCK, RADIUS, SWING, BOTTOM, IXP DOOR	11A080	14
1	1	1	1	1	1	1	1	PIVOT BLOCK, RADIUS, SWING, TOP, IXP DOOR	11A081	15
1	1	1	1	1	1	1	1	SEAL BLOCK, CENTER, SWING, IXP DOOR	11A089	16
1	1	1	1	1	1	1	1	SEAL BLOCK, LEAD EDGE, SWING, IXP DOOR	11A091	17
-	12	-	12	-	12	-	12	SCREW, 3/8-16 X 5/8 WHIZ, ZN	41A297	18
12	-	12	-	12	-	12	-	SCREW, 3/8-16 X 5/8 WHIZ, SS	41A839	18
-	8	-	8	-	8	-	8	WASHER, LOCK, 1/2, REG SPLIT, ZN	41A119	19
8	-	8	-	8	-	8	-	WASHER, LOCK, 1/2, REG SPLIT, SS	41A558	19
-	8	-	8	-	8	-	8	NUT, 1/2-20, HEX, ZN	41A200	20
8	-	8	-	8	-	8	-	NUT, 1/2-20, HEX, SS	41A813	20
-	3	-	3	-	3	-	3	WASHER, FLAT, 1/2, STANDARD, ZN	41A043	21
3	-	3	-	3	-	3	-	WASHER, FLAT, 1/2, STANDARD, SS	41A516	21
-	1	-	1	-	1	-	1	END CAP, HEADER CHNL, SWING, IXP DOOR, GALV	13A456F1	22
1	-	1	-	1	-	1	-	END CAP, HEADER CHNL, SWING, IXP DOOR, S/S	13A456F2	22
-	1	-	1	-	1	-	1	END CAP, HEADER CHNL, FIXED, LH, IXP DOOR, GALV	13A455F1	23
1	-	1	-	1	-	1	-	END CAP, HEADER CHNL, FIXED, LH, IXP DOOR, S/S	13A455F2	23
1	1	1	1	1	1	1	1	ELEC BOX ASSY, 90° ELBOW, 1/2"	22A280	24
1	1	1	1	1	1	1	1	CONNECTOR, CORD GRIP, .438"-.500"	23A031	25
1	1	1	1	1	1	1	1	CABLE, 18GA., 4 CONDUCTOR, 7 AMP, (WIC/2)+36"	22A283	26
1	1	1	1	1	1	1	1	SEAL, PIVOT, BOTTOM, IXP DOORS	15B025	27
1	1	1	1	1	1	1	1	GROMMET, .875 ID	11A086	28
1	1	1	1	1	1	1	1	ASM, REED SWITCH & RETAINER	24B164	29
2	2	2	2	2	2	2	2	NUT, 5/8-11, JAM, HEX	41A458	30
1	1	1	1	1	1	1	1	V-BLOCK, SWING PANEL, IXP DOOR	14A028	31
4	4	4	4	4	4	4	4	SCREW, 1/4-20, X .750, SL PHMS	41A489	32
4	4	4	4	4	4	4	4	NUT, 1/4-20, HEX, NYLOCK	41A337	33

When ordering parts, specify
Job Number, Door Number and
Manufacture Date

Door Panel Gaskets & Capping, LH



When ordering parts, specify
Job Number, Door Number and
Manufacture Date

REPLACEMENT PARTS

Door Panel Gaskets & Capping, LH

				DESCRIPTION	PART#	ITEM #
-	-	-	1	DOOR ASSEMBLY, LH, BI-PART, IXP, WIC < 96", HIC <= 144"	86D032	-
-	-	1	-	DOOR ASSEMBLY, LH, BI-PART, IXP, WIC >= 96", HIC <= 144"	86D033	-
-	1	-	-	DOOR ASSEMBLY, LH, BI-PART, IXP, WIC < 96", HIC > 144"	86D044	-
1	-	-	-	DOOR ASSEMBLY, LH, BI-PART, IXP, WIC >= 96", HIC > 144"	86D045	-
1	1	1	1	GASKET, 4.00", URETHANE, BLACK, (WIC/2) + 2.5"	15A016	1
-	1	-	1	RETAINER, GASKET, TOP, IXP, BP, W < 96, LH	13B1434	2
1	-	1	-	RETAINER, GASKET, TOP, IXP, BP, W>=96, LH	13B1417	2
A/R	A/R	A/R	A/R	SCREW, 3/8-16 X 5/8 WHIZ ZN	41A297	3
A/R	A/R	A/R	A/R	SCREW, 3/8-16 X 5/8 WHIZ, S/S	41A839	3
1	1	1	1	FOAM BUMPER PAD, 1-1/4" X 2" X 5-7/8"	15A063	4
1	1	1	1	GASKET, FLEX, EXTR LT. GRAY, HIC - 2.75"	15A041	5
1	1	1	1	GASKET RETAINER, VINYL, HIC - 4.25"	11A061	6
2	2	2	2	PANEL CLIP, SIDE, S\SLD, IXP DOOR	14B164	7
2	2	2	2	PANEL CLIP, W/SEAL, IXP DOOR	14B180	8
2	2	2	2	BULB/BLADE SEAL, S\SLD, IXP DOOR	15B020	9
1	1	1	1	RETAINER, "T"-STYLE BULB SEAL	15A124	10
1	1	1	1	BULB SEAL, "T"-STYLE, 3", HIC + 2.75"	15A125	11
-	1	-	1	GASKET, 3.00", URETHANE, BLACK, (WIC / 2) - 2.0"	15A017	12
1	-	1	-	GASKET, 3.00", URETHANE, BLACK, (WIC / 2) + 9.5"	15A017	12
1	1	1	1	SEAL, PIVOT, BOTTOM, IXP DOORS	15B025	13
-	1	-	1	GASKET, 3.00", URETHANE, BLACK, (WIC / 2) + 24.0"	15A017	14
1	-	1	-	GASKET, 3.00", URETHANE, BLACK, (WIC / 2) + 17.5"	15A017	14
-	1	-	1	RETAINER, GASKET, 18" SWING, BOTTOM, LH, IXP, BP	13B1428	15
1	-	1	-	RETAINER, GASKET, 24" SWING, BOTTOM, LH, IXP, BP	13B1429	15
-	1	-	1	RETAINER, GASKET, 18" SWING, BOTTOM, RH, IXP, BP	13B1418	16
1	-	1	-	RETAINER, GASKET, 24" SWING, BOTTOM, RH, IXP, BP	13B1419	16
1	1	1	1	RETAINER, GASKET, LEAD EDGE, BOTTOM, IXP, BP	13B1426	17
-	1	-	1	RTNR, GSKT, WIC < 96 FIXED, BOT, FRNT, IXP, BP	13B1420	18
1	-	1	-	RTNR, GSKT, WIC>=96 FIXED, BOT, FRNT, IXP, BP	13B1422	18
-	1	-	1	RTNR, GSKT, WIC < 96 FIXED, BOT, BACK, IXP, BP	13B1421	19
1	-	1	-	RTNR, GSKT, WIC>=96 FIXED, BOT, BACK, IXP, BP	13B1423	19
1	1	1	1	RETAINER, GASKET, END, BOTTOM, IXP DOORS	13B1427	20
A/R	A/R	A/R	A/R	SCREW, #10-24 x 1.00, PH FHMS, SS	41A199	21
4	4	4	4	SCREW, #10-24 x .50, PH FHMS, SS	41A141	22

When ordering parts, specify
Job Number, Door Number and
Manufacture Date

Padlock Hasp Assembly

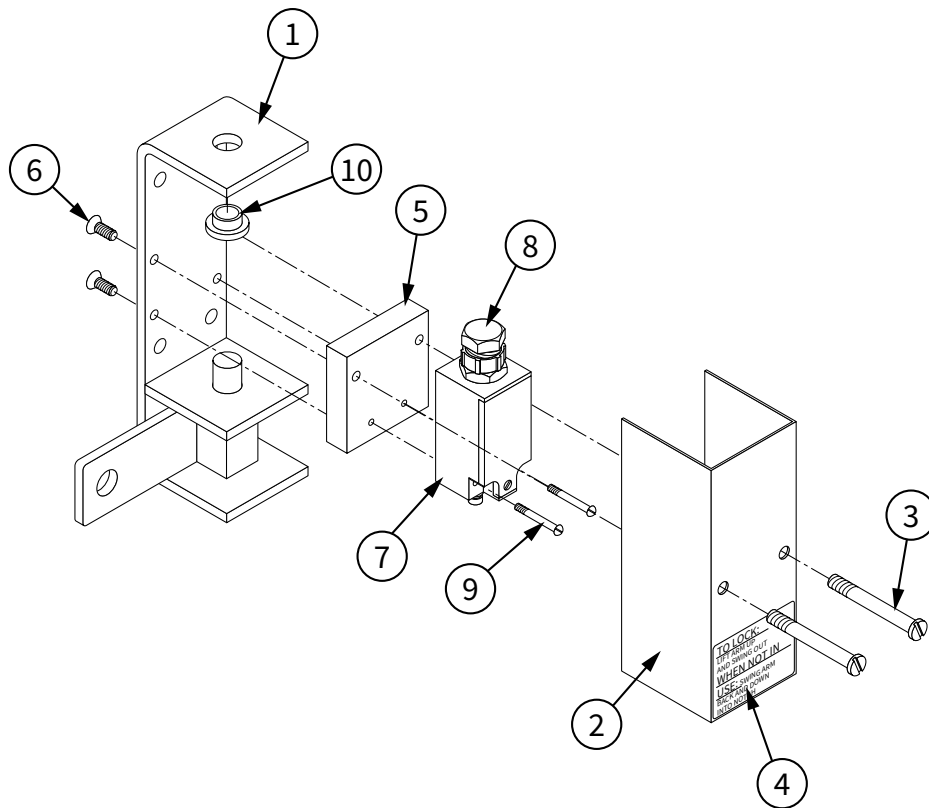
24C042F1, Manual, RH

24C042F2, Manual, LH

24C042F3, Power, RH w/ Cutout Assembly

24C042F4, Power, LH w/ Electric Cutout Assembly

DESCRIPTION	PART #	ITEM #
ASSEMBLY, PADLOCK HASP & SWING ARM, RH	24C041F1	1
ASSEMBLY, PADLOCK HASP & SWING ARM, LH	24C041F2	-
SHROUD	13B110	2
SCREW, #8-32 x 2", SL, PHMS	41A518	3
LABEL, PADLOCK HASP BODY	17A005	4
MOUNTING BLOCK, LIMIT SWITCH	13A076	5
SCREW, #8-32 x 1/2", SL, FHMS	41A519	6
THE FOLLOWING ARE ON POWER OPERATED MODELS ONLY		
CUTOUT SWITCH	23A018	7
CORD GRIP	22A038	8
SCREW, #8-32 x 1", SL, RHMS	41A517	9
GROMMET, #Z-3190	22A037	10

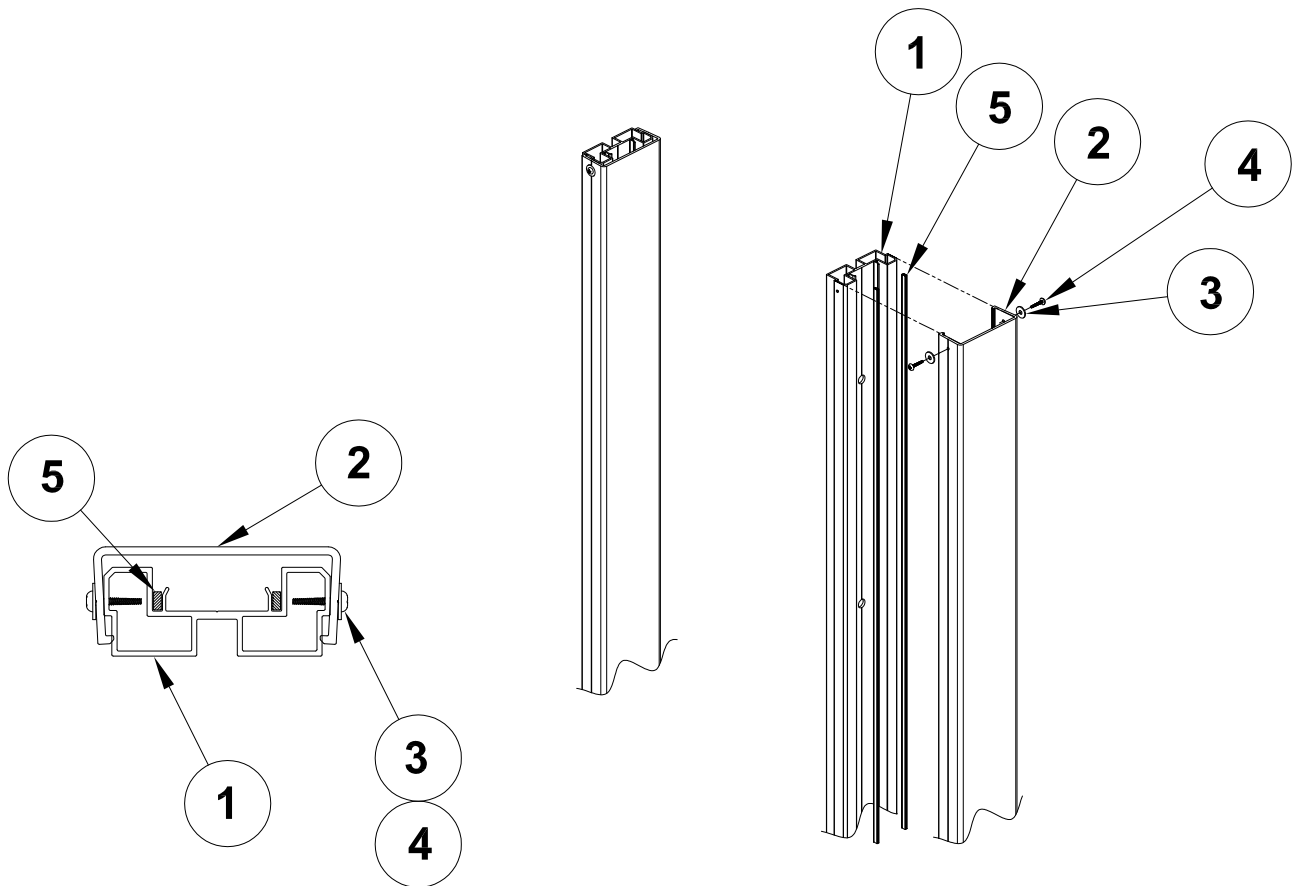


When ordering parts, specify
Job Number, Door Number and
Manufacture Date

Face Frame Assembly & Gasket

- 76B002F1, Face-Frame, Trail Edge, IXP Door, <=96" HIC
- 76B002F2, Face-Frame, Trail Edge, IXP Door, >96"<=120" HIC
- 76B002F3, Face-Frame, Trail Edge, IXP Door, >120"<=144" HIC
- 76B002F4, Face-Frame, Trail Edge, IXP Door, >144" <=180" HIC

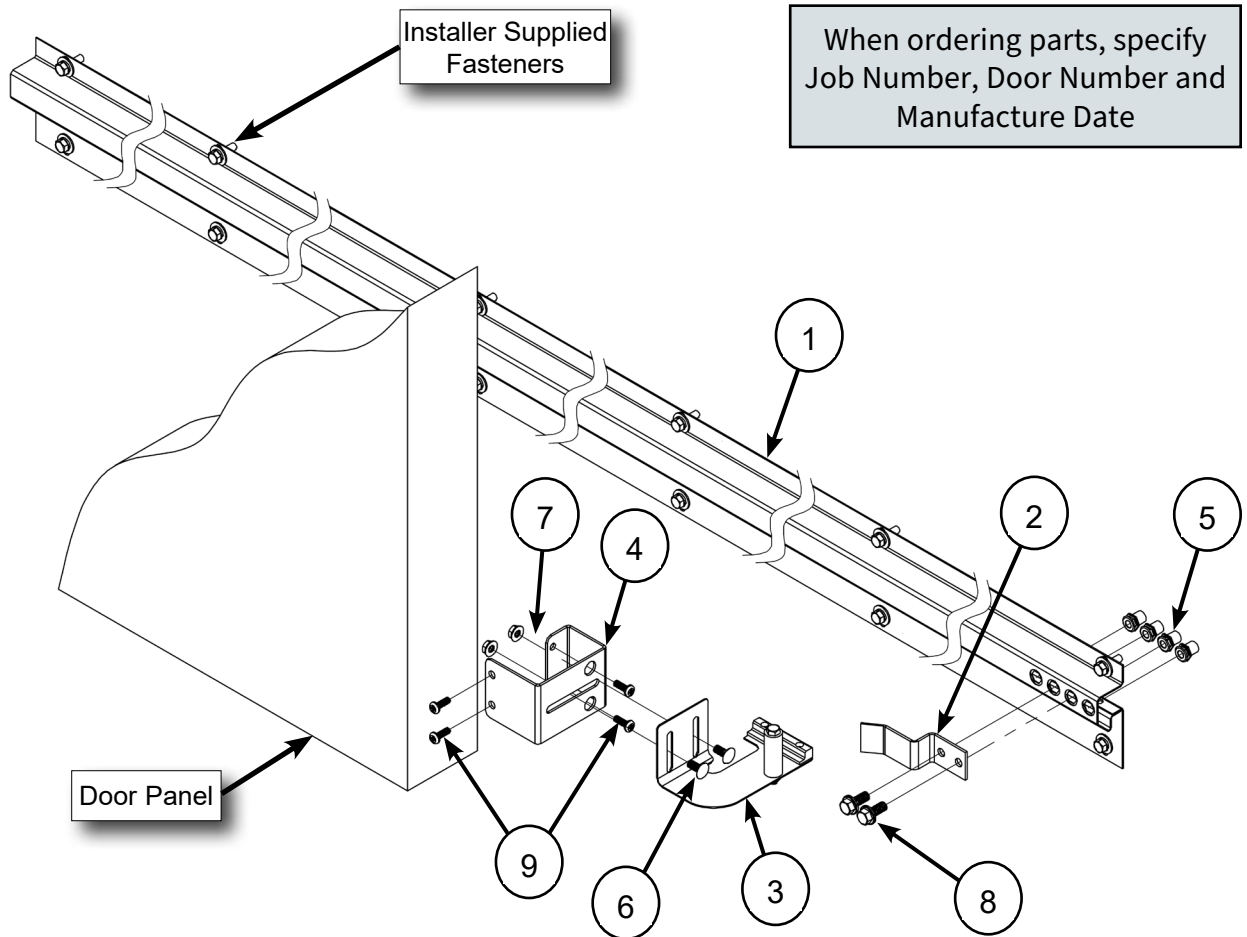
DESCRIPTION	PART #	ITEM #	QTY
ASSY, FACE FRAME, TRAIL EDGE, IXP DOOR	76B002	-	-
EXTRUSION, FACE FRAME, MACHINED, IXP DOOR	14B090	1	1
EXTRUSION, FACE FRAME COVER, IXP DOOR	11B055	2	1
WASHER, FLAT STD, #10, ZN	41A080	3	AS REQ.
SCREW, #10 x .75, PH TRSMS, SS	41A232	4	AS REQ.
HEAT TAPE (FREEZER ONLY)	22A260	5	AS REQ.



When ordering parts, specify Job Number, Door Number and Manufacture Date

Wall Track Assembly

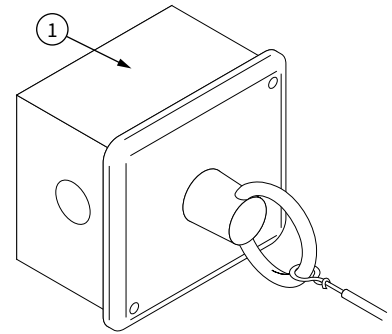
F4	F3	F2	F1	DESCRIPTION	PART #	ITEM
-	-	-	1	ASM, WALL TRACK, S/SLD, XP DOORS, GALVANIZED, RH	24B0573F1	-
-	-	1	-	ASM, WALL TRACK, S/SLD, XP DOORS, STAINLESS, RH	24B0573F2	-
-	1	-	-	ASM, WALL TRACK, S/SLD, XP DOORS, GALVANIZED, LH	24B0573F3	-
1	-	-	-	ASM, WALL TRACK, S/SLD, XP DOORS, STAINLESS, LH	24B0573F4	-
-	-	-	1	WLDMT, WALL TRACK S/SLD, XP DOORS, RH, GALV	28B251F1	1
-	-	1	-	WLDMT, WALL TRACK S/SLD, XP DOORS, RH, S/S	28B251F2	1
-	1	-	-	WLDMT, WALL TRACK S/SLD, XP DOORS, LH, GALV	28B251F3	1
1	-	-	-	WLDMT, WALL TRACK S/SLD, XP DOORS, LH, S/S	28B251F4	1
1	1	1	1	BRACKET, DOOR RETURN, S/S	13B911	2
-	-	1	1	ASSY, DETENT BRACKET W/GUIDE BLOCK, RH	24B170F1	3
1	1	-	-	ASSY, DETENT BRACKET W/GUIDE BLOCK, LH	24B170F2	3
-	1	-	1	BRKT, XP WALL TRACK, DOOR MOUNT, GALVANIZED	13B2015NN10	4
1	-	1	-	BRKT, XP WALL TRACK, DOOR MOUNT, STAINLESS	13B2015NN20	4
4	4	4	4	INSERT, HEX, 3/8-16, GRIP RANGE .027-.150	41A788	5
-	2	-	2	BOLT, 5/16-18 X .75 CARRIAGE BOLT, ZN	41A343	6
2	-	2	-	BOLT, 5/16-18 X .75 CARRIAGE BOLT, S/S	41A344	6
-	2	-	2	NUT, 5/16 WHIZLOCK, ZN	41A033	7
2	-	2	-	NUT, 5/16 WHIZLOCK, SS	41A712	7
-	2	-	2	SCREW, 3/8 X 1.00 HEX HEAD, WHIZLOCK, ZN	41A218	8
2	-	2	-	SCREW, 3/8 X 1.00 HEX HEAD, WHIZLOCK, SS	41A793	8
-	4	-	4	SCREW, 1/4-20 x .750, SL PHMS, ZN	41A489	9
4	-	4	-	SCREW, 1/4-20 x 1.00, PH PHMS, S/S	41A250	9



Miscellaneous Options

Pull Station Options

DESCRIPTION	PART #	ITEM #
CEILING PULL SWITCH, UNHEATED	24B102F1	1
CEILING PULL SWITCH, HEATED	24B102F2	-



Pull Stations

Push Button Options

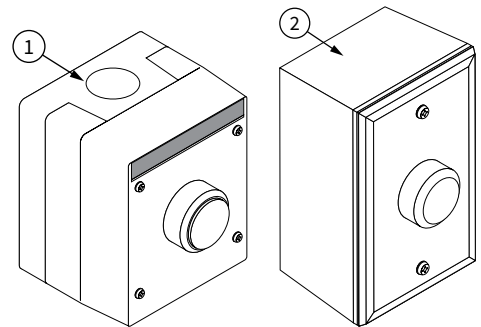
DESCRIPTION	PART #	ITEM #
PUSH BUTTON STATION, UN-HEATED	24B029F1	1
PUSH BUTTON STATION, HEATED	24B029F2	2

Motion Detector Options

DESCRIPTION	PART #	ITEM #
AUTO MICROWAVE DETECTOR	23A158	-
BRACKET	13B335	-
INSTALLATION GUIDE	17C177	-

Radio Control System Options

DESCRIPTION	PART #	ITEM #
RECEIVER, RADIO CONTROL	23A183	-
TRANSMITTER, RADIO CONTROL	23A184	-



Push Buttons

Loop Detector Options

DESCRIPTION	PART #	ITEM #
LOOP DETECTOR, 24 VAC 416A-7	23A019	-
WIRE, 14 GA., BLACK, 7 STRAND #XHHW	22A085	-
EMBEDDING SEALER	23A160	-
INSTALL GUIDE, LOOP DETECTOR	17C174	-

Photoeye Options

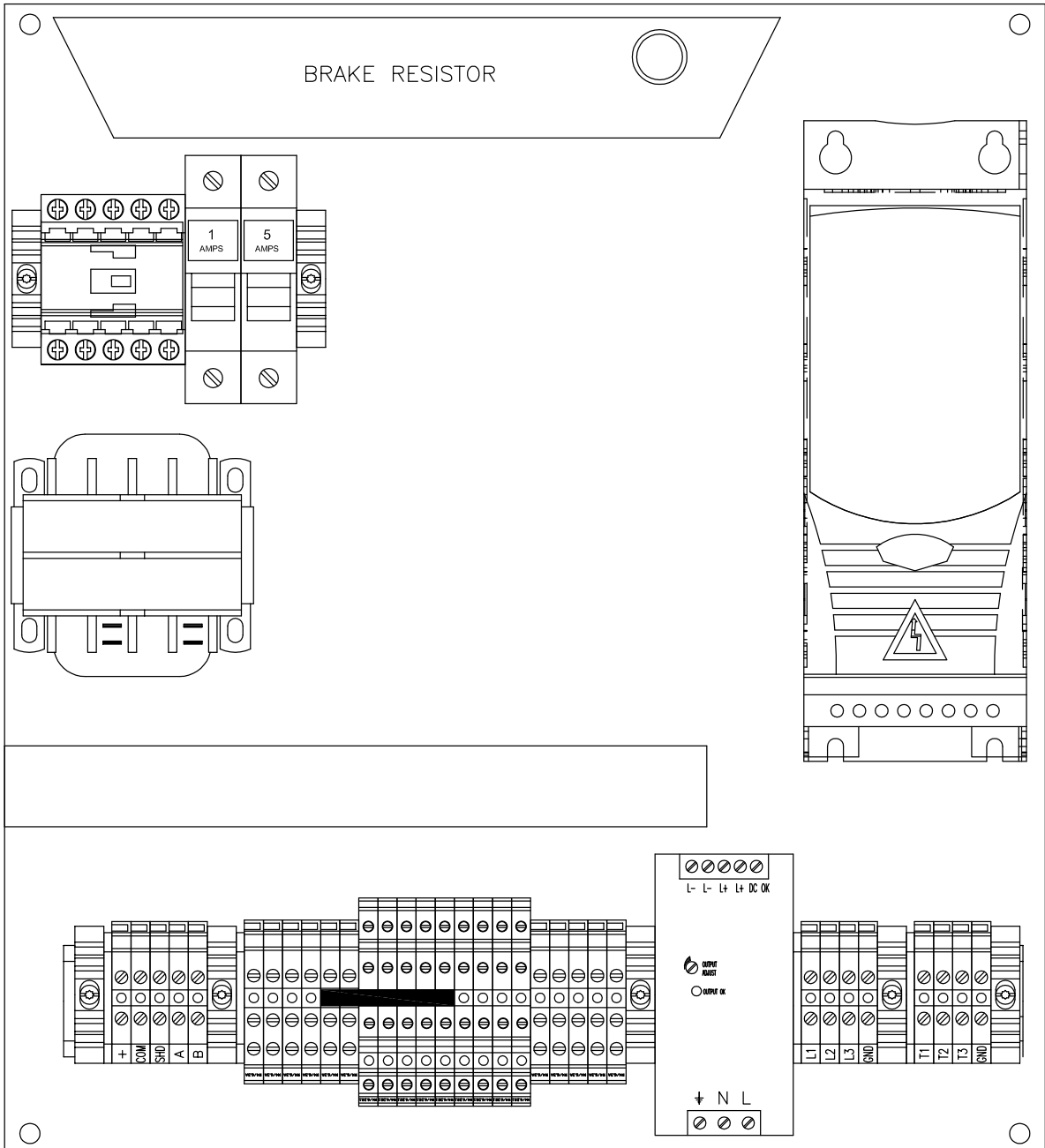
DESCRIPTION	PART #	ITEM #
PHOTOEYE, "915" BANNER TRANSMITTER	22B020	-
REFLECTOR, AMBER, 2" x 4" OVAL	22A078	-
PHOTOEYE, EMITTER, BANNER	22B006	-
PHOTOEYE, RECEIVER, BANNER	22B005	-
MOUNTING BRACKET, PHOTOEYE	22B023	-
INSTALLATION GUIDE	17C175	-

When ordering parts, specify
Job Number, Door Number and
Manufacture Date

Control Panel

DESCRIPTION	PART #	ITEM #
DRIVE, VARIABLE FREQUENCY, 230V	23B102	1
DRIVE, VARIABLE FREQUENCY, 460V	23B103	1
BRAKE RESISTOR, 230V	23B104	2
BRAKE RESISTOR, 460V	23B105	2
CONTROLLER, W/DISPLAY (NOT SHOWN)	23B101	3
TRANSFORMER, 100VA	23B107	4
CONTACTOR, 3-PHASE	23B108	5
POWER SUPPLY, 24VDC	23B109	6
OVERLOAD, THERMAL	23B110	7
CABLE, MOD-BUS (NOT SHOWN)	22A279	8

When ordering parts, specify Job Number, Door Number and Manufacture Date



REPLACEMENT PARTS



OPEN UP TO WHAT'S POSSIBLE



asidoors.com