



**High-Speed  
Fabric Roll-Up  
Doors  
MODEL 415**

**PART'S MANUAL**

## Instructions for Ordering

This parts manual is intended to assist in the correct identification of the more commonly replaced parts; covering, generally, all models and styles offered within the marathon pharm. Line. The manual will also help identify obsolete parts, part design changes and current production parts. For more specific parts information, please contact an authorized representative or consult the factory's customer service or engineering departments. Asi doors reserves the right to discontinue any part and make design changes without notice.

### General Instructions for Ordering Door Parts

Accurate information is always necessary to serve you correctly and promptly. Several steps should be followed to determine exactly the parts that are needed.

Refer to the information tag on your door and record the:

1. Door model number
2. Job number
3. Door number
4. Manufacturing date.

Use part numbers referenced in this manual.

If the item is not found in the manual, the product code on the back of the item is helpful.

If your door has no information label, the approximate purchase date is helpful.

Call  
**1-800-558-7068**  
or visit  
**asidoors.com/parts**  
to order parts

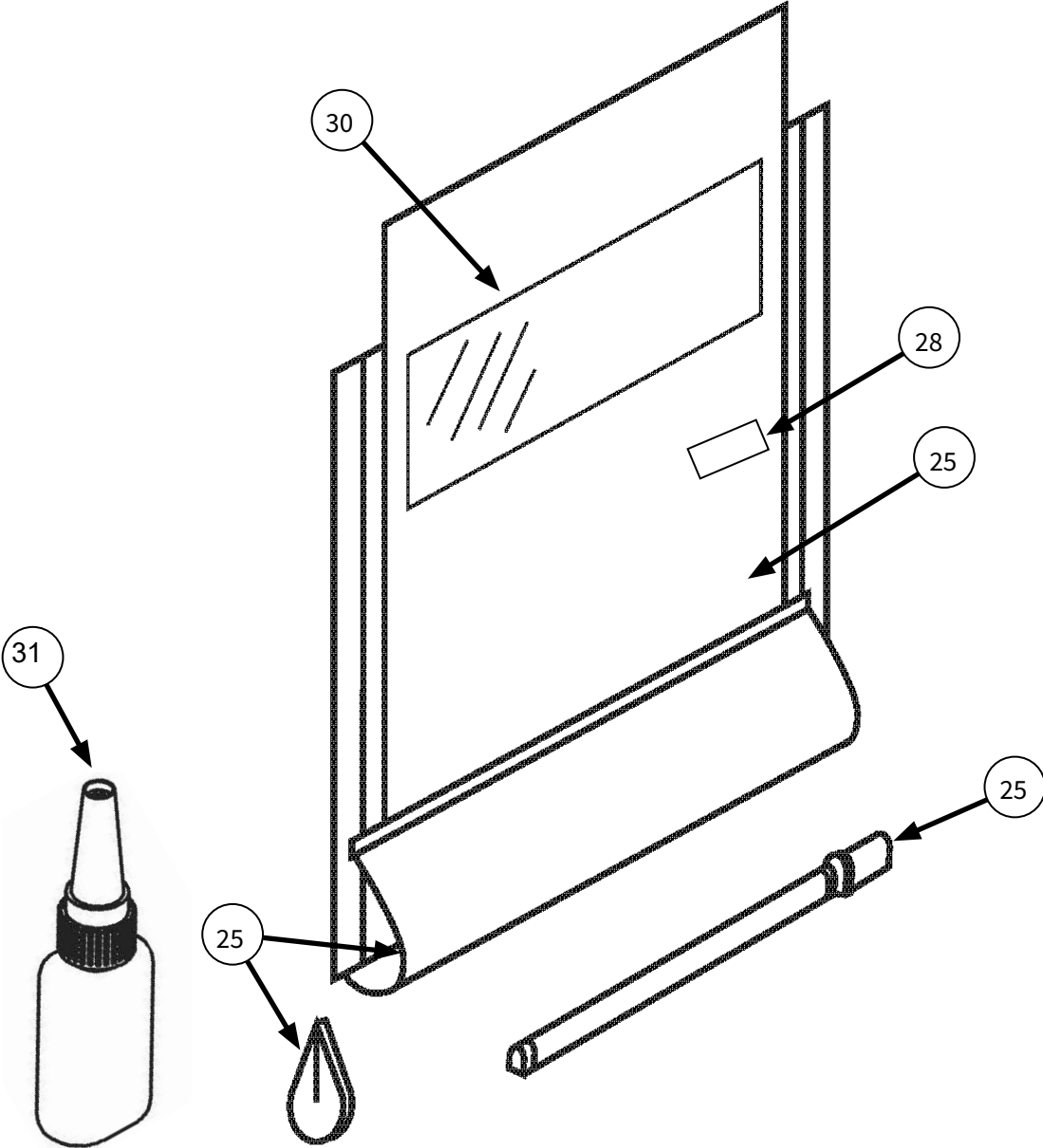
## Mechanical Service Parts List Continued

Item #	Part #	Description	Qty
17	13B1540XV	Cover, wall clip, upper, idler side, rh drive, HIC > 120"	1
17	13B1541XV	Cover, wall clip, upper, idler side, lh drive, HIC > 120"	1
17	13B1764LV	Cover, wall clip, upper, idler side, lh drive, HIC > 120", low profile shroud	1
17	13B1764RV	Cover, wall clip, upper, idler side, rh drive, hic > 120", low profile shroud	1
18	13B1537XV	Cover, wall clip, upper, drive side, rh drive, HIC > 120"	1
18	13B1539XV	Cover, wall clip, upper, drive side, lh drive, HIC > 120"	1
18	13B1763LV	Cover, wall clip, upper, drive side, lh drive, HIC > 120", low profile shroud	1
18	13B1763RV	Cover, wall clip, upper, drive side, rh drive, HIC > 120", low profile shroud	1
19	13B1521NN	Clip, cover, 415 roll-up	AR
-	76B0010XV	Asm, face frame, idler side, rh drive, HIC<=10'	AR
-	76B0011XV	Asm, face frame, drive side, rh drive, HIC<=10'	AR
-	76B0012XV	Asm, face frame, drive side, LH drive, HIC<=10'	AR
-	76B0013XV	Asm, face frame, idler side, LH drive, HIC<=10'	AR
-	76B0014XV	Asm, face frame, idler side, RH drive, HIC>10'	AR
-	76B0015XV	Asm, face frame, drive side, RH drive, HIC>10'	AR
-	76B0016XV	Asm, face frame, idler side, LH drive, HIC>10'	AR
-	76B0017XV	Asm, face frame, drive side, LH drive, HIC>10'	AR
20	24B0374XV	Shroud, 1 piece, RH drive, WIC <= 120"	1
20	24B0375XV	Shroud, 1 piece, LH drive, WIC <= 120"	1
20	24B0370XV	Shroud, 2 piece, RH drive, WIC > 120"	1
20	24B0371XV	Shroud, 2 piece, LH drive, WIC > 120"	1
21	28B0266LV	Shroud, 1 piece, LH drive, WIC <= 120", low profile	1
21	28B0266RV	Shroud, 1 piece, RH drive, WIC <= 120", low profile	1
21	24B0396LV	Shroud, 2 piece, LH drive,, WIC > 120", low profile	1
21	24B0396RV	Shroud, 2 piece, RH drive,, WIC > 120", low profile	1
22	16A089	Hole plug, 2.0" I.D.	1
23	13B1500NN	Shroud support, outside (not used with low-profile shrouds)	AR
24	13B1726NN	Shroud support, center (not used with low-profile shrouds)	AR
25	24A0100NV	Curtain assembly, < 45 sq. ft.	1
25	24A0101NV	Curtain assembly, < 96 sq. ft.	1
25	24A0102NV	Curtain assembly, < 175 sq. ft.	1
25	24A0115NV	Curtain assembly, < 45 sq. ft., w/ banner window	1
25	24A0116NV	Curtain assembly, < 96 sq. ft., w/ banner window	1
25	24A0117NV	Curtain assembly, < 175 sq. ft., w/ banner window	1
26	24A0103LV	Curtain bead repair, 415, LH (requires returning curtain to factory-shipping extra)	-
27	24A0103RV	Curtain bead repair,415, RH (requires returning curtain to factory-shipping extra)	-
28	17B058	Decal, manual release	1
29	05A0030NN	Spare patch material - (note color needed - white standard)	-
30	10A0041NN	Loctite adhesive for spare patch material	-
31	09A0010	Grease, DLFS- H1 food rated, 2 oz tube, SPA-9051-01	1
32	50A0174NN	6MM_Allen Wrench - (For manual operation of door)	1

Consult factory for any part not listed, and for any questions on replacement parts.

# Service Parts - Door Curtain

See page 46 & 47 for part number descriptions.

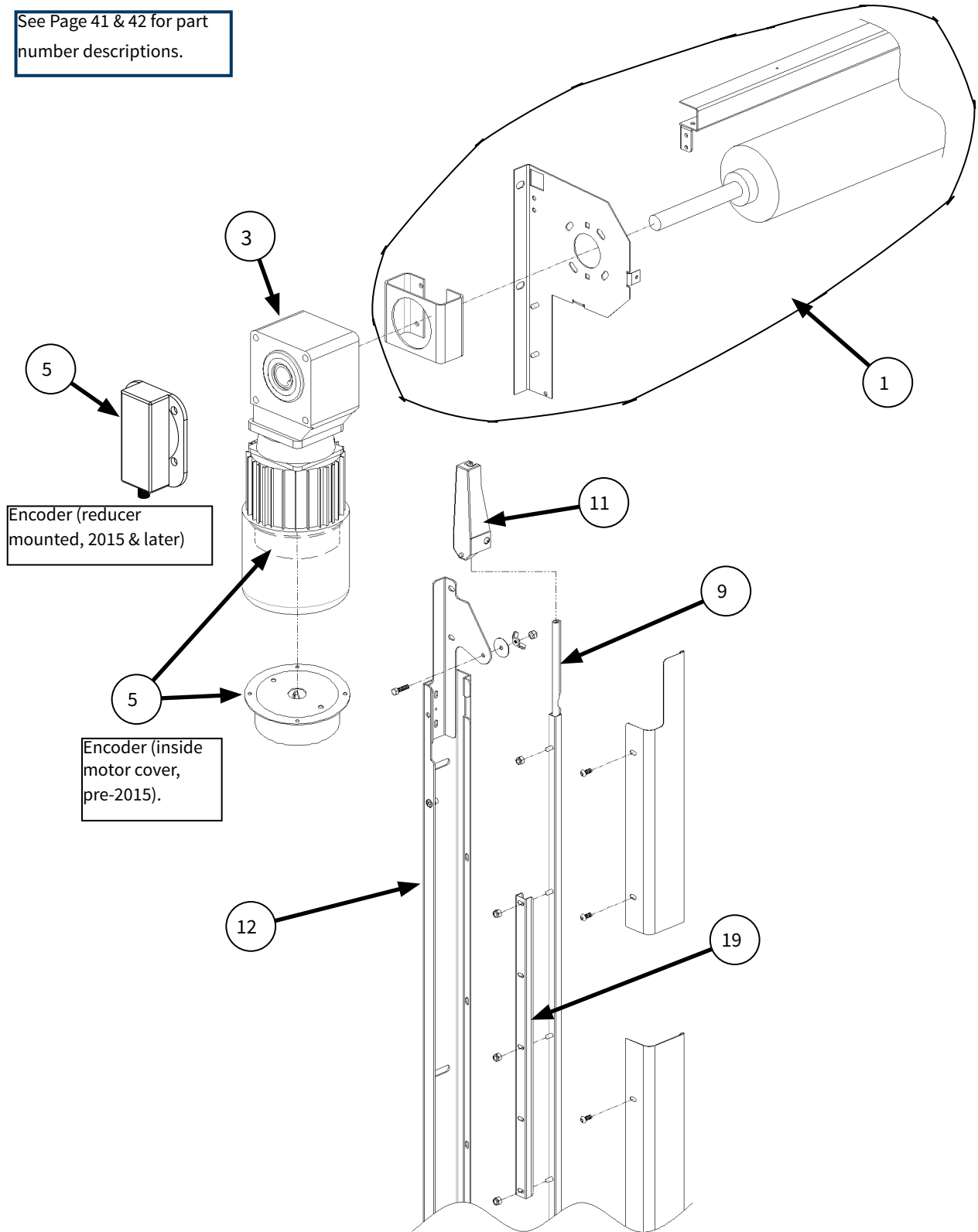


**When ordering parts, specify  
Job Number, Door Number and  
Manufacture Date**

REPLACEMENT  
PARTS

# Service Parts - Motor Side

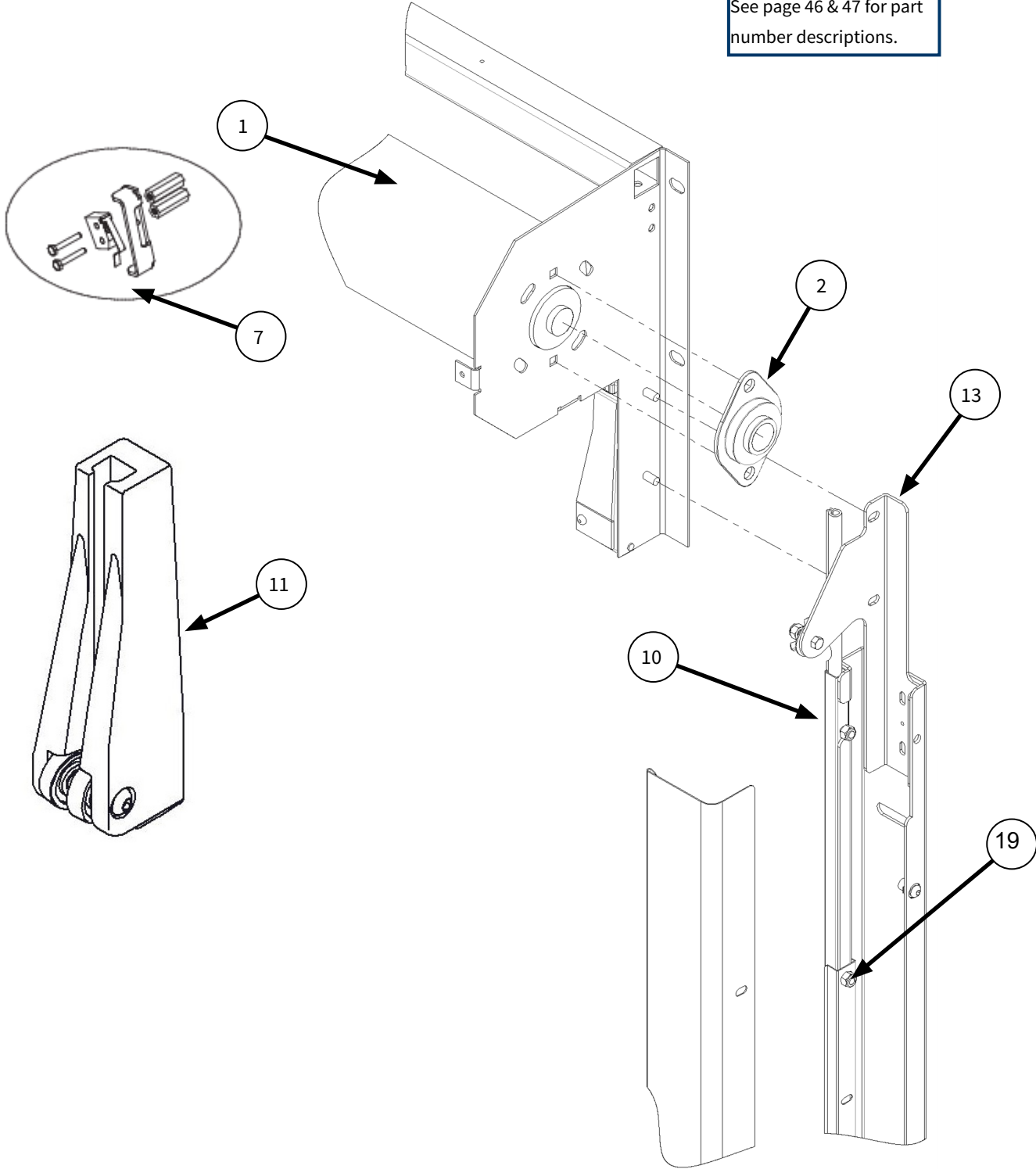
See Page 41 & 42 for part number descriptions.



**When ordering parts, specify Job Number, Door Number and Manufacture Date**

# Service Parts - Idler Side

See page 46 & 47 for part number descriptions.

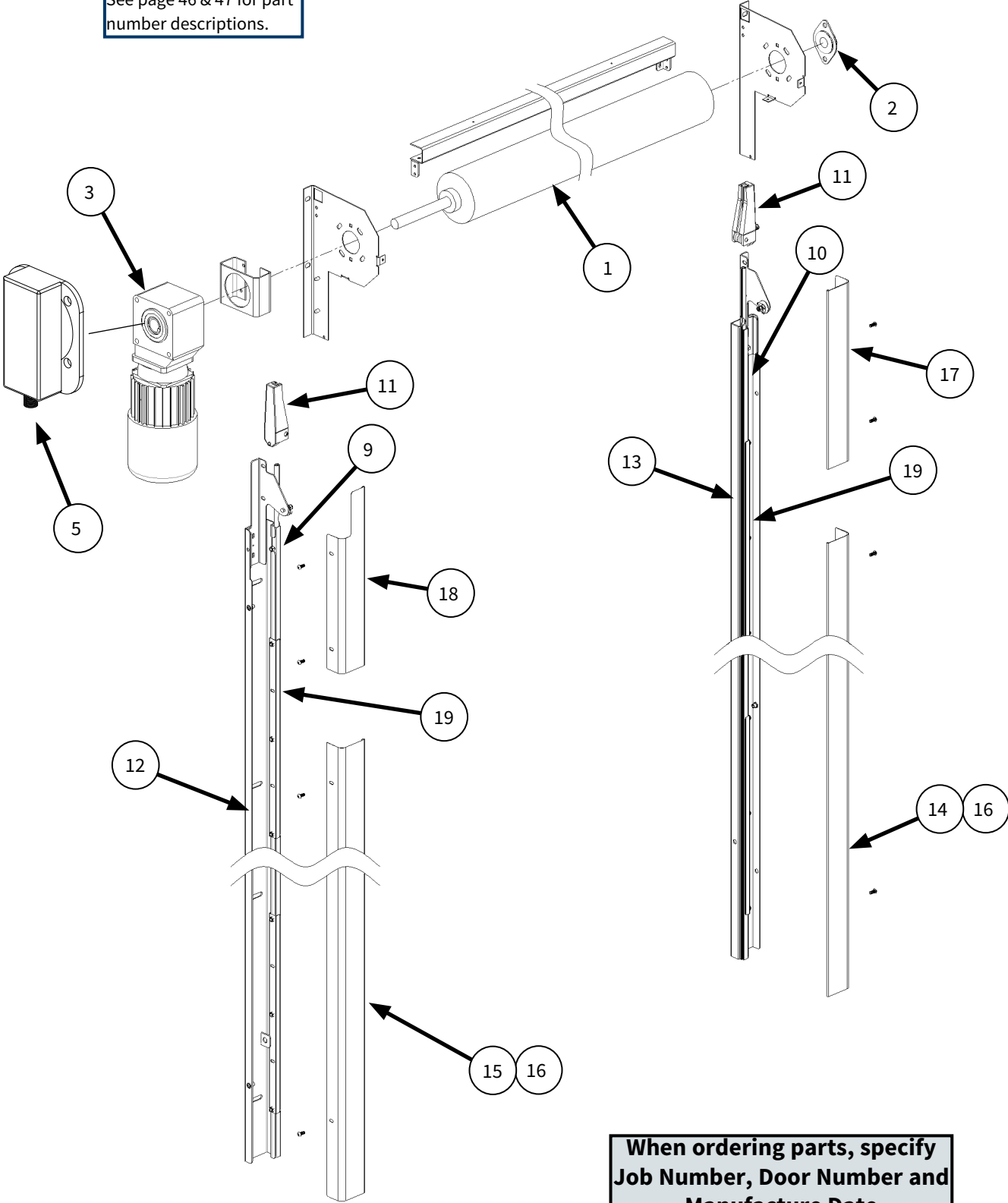


**When ordering parts, specify  
Job Number, Door Number and  
Manufacture Date**

REPLACEMENT  
PARTS

# Service Parts - Side Frames and Drive Assembly

See page 46 & 47 for part number descriptions.

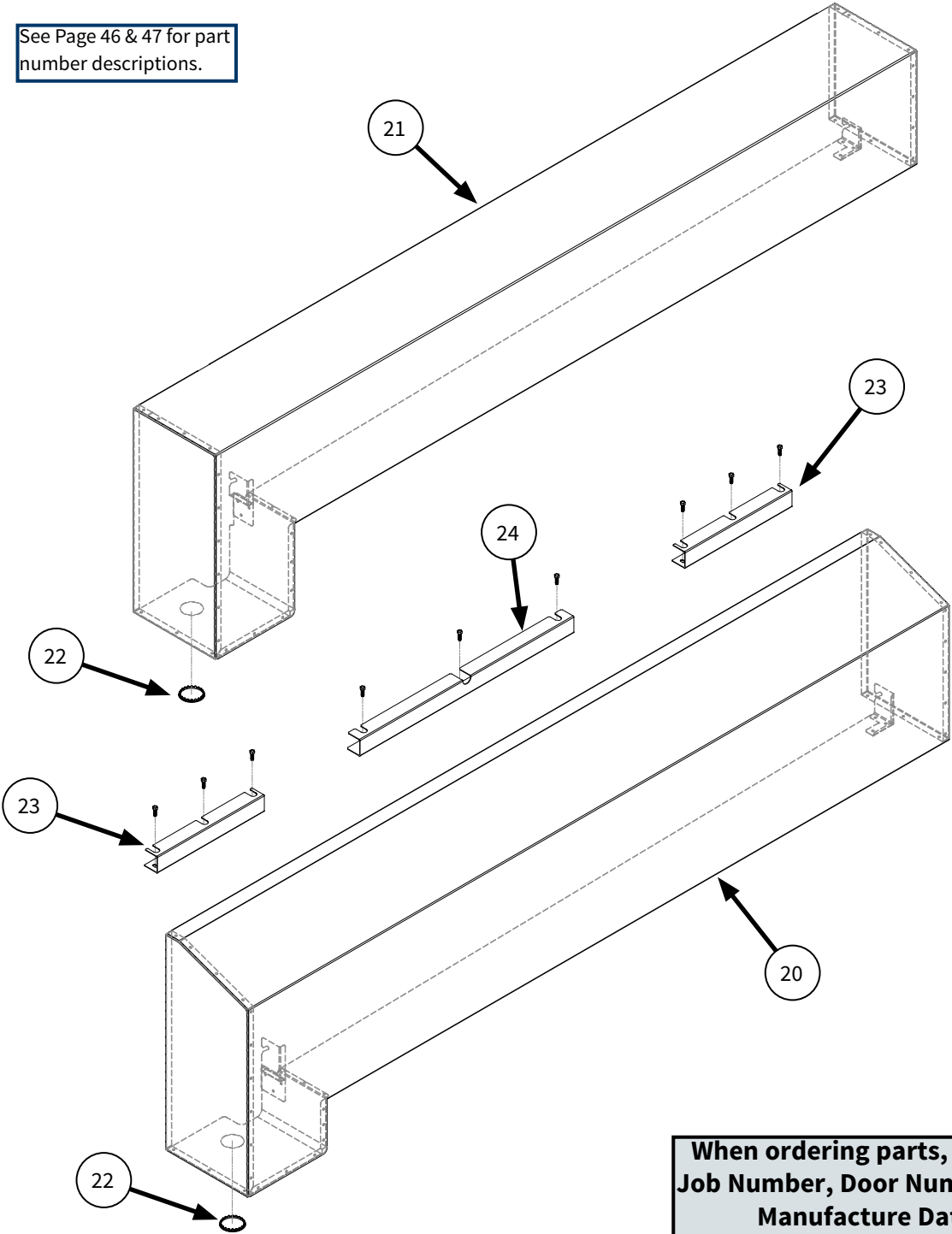


**When ordering parts, specify  
Job Number, Door Number and  
Manufacture Date**

**REPLACEMENT  
PARTS**

# Service Parts - Shrouds

See Page 46 & 47 for part number descriptions.



**When ordering parts, specify Job Number, Door Number and Manufacture Date**

REPLACEMENT PARTS



# Electrical Service Parts List

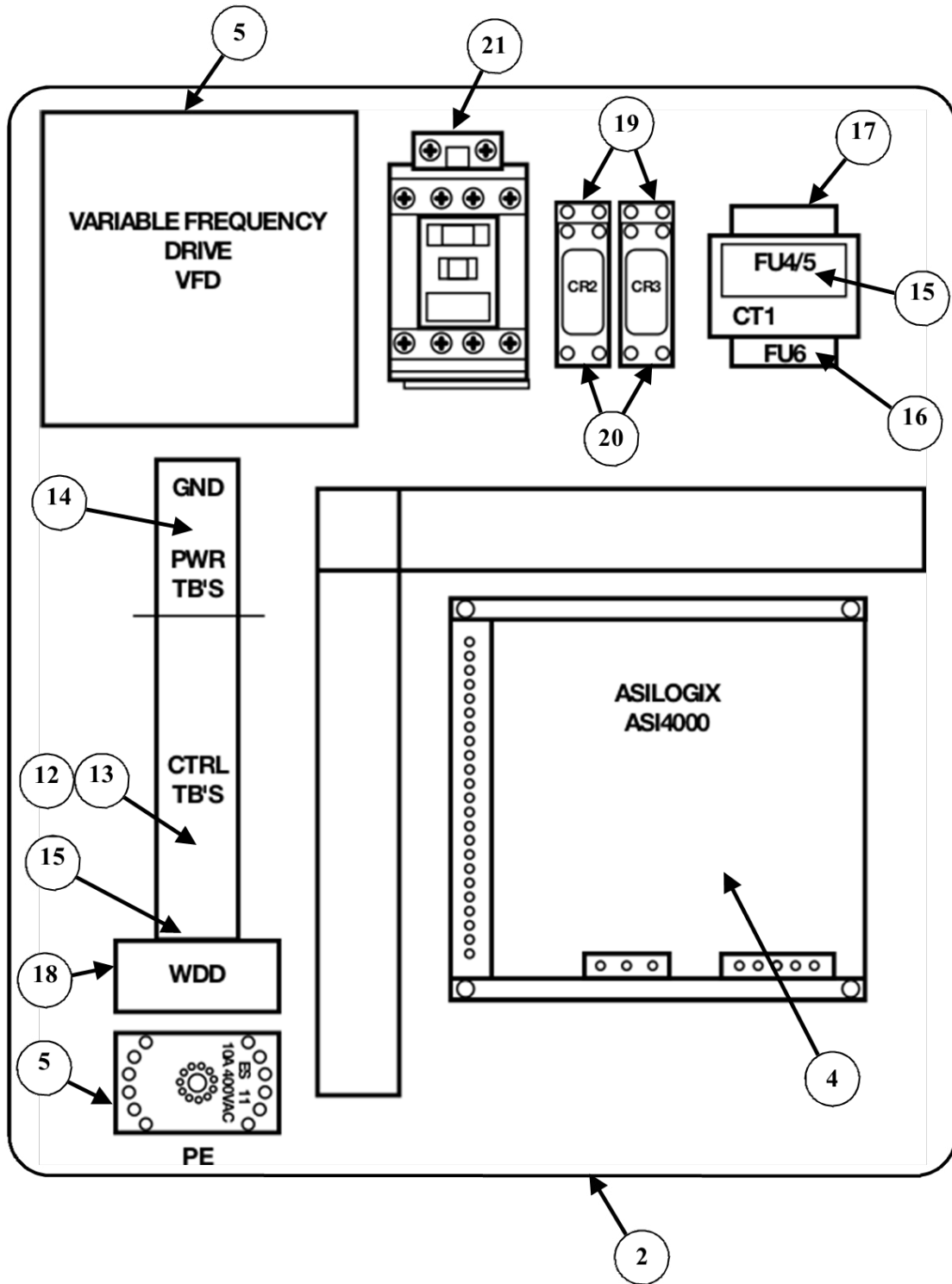
Item #	Part #	Description	Qty
1	Consult Factory	Enclosure, control box, composite	1
2	Consult Factory	Sub panel, control box, composite	1
3	Consult Factory	Control box complete, 1 HP	1
3	Consult Factory	Control box complete, 2 HP	1
4	23A0421	ASILogix II controller board	1
5	23A0416	VFD Drive ATV11 1hp motor 110VAC	1
5	23A0417	VFD drive ATV31 1hp motor 230VAC	1
5	23A0418	VFD drive ATV31 2hp motor 230VAC	1
5	23A0419	VFD drive ATV31 1hp motor 460VAC	1
5	23A0420	VFD drive ATV31 2hp motor 460VAC	1
6	23A0429	Push button, standard	1
7	23A0430	Nameplate, push button, standard (one dozen)	1
8	23A0431	Emergency stop push button	1
9	23A0432	Nameplate, emergency stop, (one dozen nameplates)	1
10	23A0433	Selector switch, airlock (optional)	1
11	23A0434	Nameplate, airlock, ON/OFF (optional)	1
12	23A0439	Terminal block, 35A, red (one dozen)	1
13	23A0438	Terminal block, 35A, black (one dozen)	1
14	23A0437	Terminal block, ground (one dozen)	1
15	23A0422	Fuse 0.5 Amp 600V class CC - (one dozen)	1
16	23A0423	Fuse 2.0 Amp 250V class M - (one dozen)	1
17	Consult Factory	Transformer, step-down, 208/230/460 50VA	1
17	Consult Factory	Transformer, step-down, 208/230/460 100VA (doors w/optional relays)	1
17	Consult Factory	Transformer, step-down, 110V 100VA	1
18	23A0426	Wireless door detector receiver (DIN rail mount-no socket)	1
19	23A0427	Relay 24VAC - DPDT (optional, for special controls)	1
20	23A0428	Socket, 24VAC- DPDT (optional, for special controls)	1
21	23A0435	Contact, 2NO, 2NC (for opt. battery backup)	1
22	23A0409	Photoeye set (Includes transmitter, receiver, amplifier)	1

**When ordering parts, specify  
Job Number, Door Number and  
Manufacture Date**

Consult factory for any part not listed,  
and for any questions on replacement  
parts.

# Service Parts - Electrical

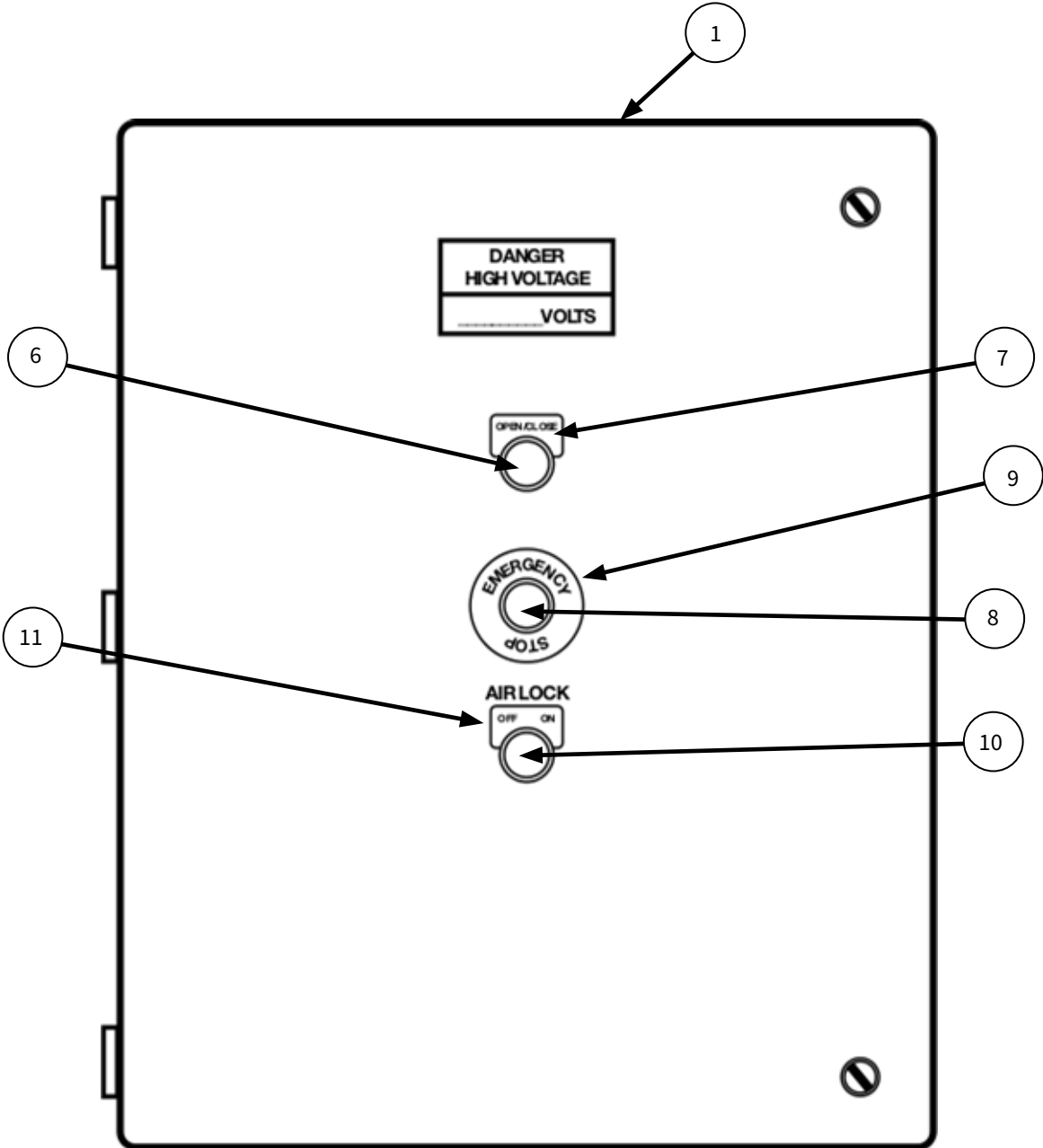
See page 48 for part number descriptions.



**When ordering parts, specify Job Number, Door Number and Manufacture Date**

**REPLACEMENT PARTS**

See page 53 for part number descriptions.



When ordering parts, specify Job Number, Door Number and Manufacture Date



**OPEN UP TO WHAT'S POSSIBLE**



**asidoors.com**