



**High-Speed Interior/
Exterior/Freezer
Fabric Roll-Up Doors
MODEL 615/615F**

PART'S MANUAL

Instructions for Ordering

This parts manual is intended to assist in the correct identification of the more commonly replaced parts; covering, generally, all models and styles offered within the marathon pharm. Line. The manual will also help identify obsolete parts, part design changes and current production parts. For more specific parts information, please contact an authorized representative or consult the factory's customer service or engineering departments. Asi doors reserves the right to discontinue any part and make design changes without notice.

General Instructions for Ordering Door Parts

Accurate information is always necessary to serve you correctly and promptly. Several steps should be followed to determine exactly the parts that are needed.

Refer to the information tag on your door and record the:

1. Door model number
2. Job number
3. Door number
4. Manufacturing date.

Use part numbers referenced in this manual.

If the item is not found in the manual, the product code on the back of the item is helpful.

If your door has no information label, the approximate purchase date is helpful.

Call

1-800-558-7068

or visit

asidoors.com/parts

to order parts

Manual Part #: 17A260

Mechanical Service Parts List

Item #	Description
1	Curtain
2	Vision Panel
4	Rubber Spacer Strips
6	Bottom Bag
8	Bellows
9	Bellows Retaining Straps
10	Intermediate Airpipe Connector
11	Airpipe
12	Zipper
13	Zipper Tooth
14	Lintel Sealing Flap
15	Horizontal U-Profile
16	Curtain Roll-Up Drum
17	Shaft with Airpipe Conct (Motor Side)
18	Airpipe Input Connector
19	Bearing
21	Airpipe Input Connector (On Shaft)
22	Driving Drum C'weight Side (Idler Side)
23	Shock Absorber
24	Driving Drum
25	Driving Drum (Opposite of Motor Side)
26	Support Plate, Drum Bearings
27	Shaft, Reducer Side
28	Support, Motor and Reducer
30	Driving Unit Elbow Guide
31	Bottom Guide (A Guide)
32	Driving Gearwheel
33	Upper Guide (B Guide)
34	Re-introduction Unit
35	Reducer
38	Motor
39	Motor Junction Box
43	Drivig Gearwheel of Limit Switch
44	Limit Switch Chain
45	Fast Link
46	Chain Cover

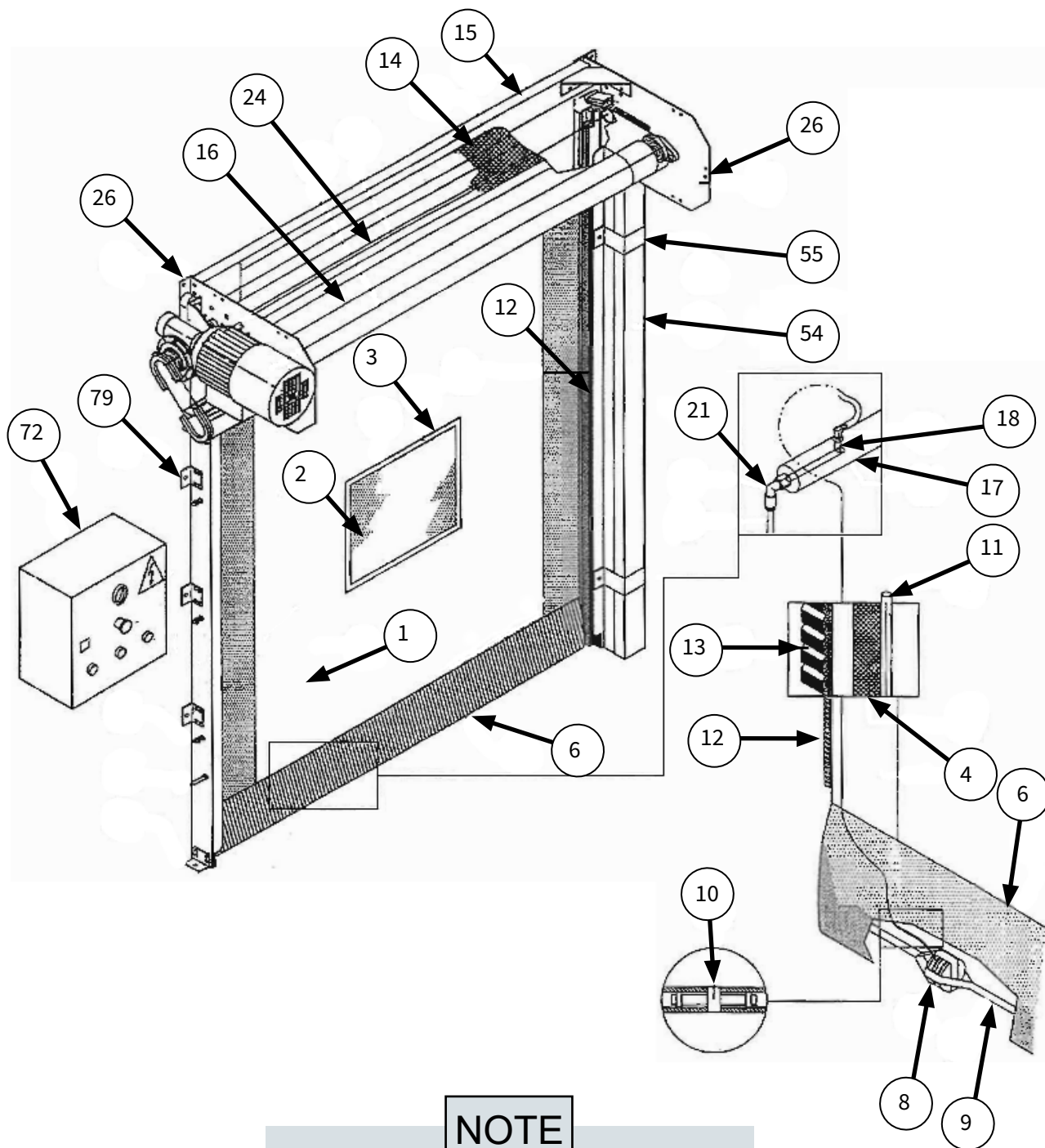
Item #	Description
47	Limit Switch
48	Movement Gearwheel (Limit Switch)
49	Declutching Washer
50	Limit Switch Support
52	Return Pulley of the Counterweight Belt
53	Mounting Bracket of the Return Pulley
54	Counterweight Cover
55	Mounting Bracket of the Counterwieght Cover
57	Upper Post
58	Guide Jention
59	Side Guide
60	Inner Side Guide (Slide)
61	Sealing Flap
62	Hammer Screw
63	Spindle
64	Side Guide Spring
65	Frame Cover
66	Rubber Reinforcement Strip
67	Galv U-Profile Side Guide Reinf. (All Weather Only)
68	Infrared Sender - Receiver
72	Control Box
73	Motor Cover (Option)
74	Counterweight
75	Belt Cover
76	Gearwheel Cover
77	Drum Cover (Option)
78	Brackets for Drum Cover
79	Brackets for Drum Cover
80	Bracket Holder for C'Weight Bracket
81	Counterweight Belt
82	Support Plate Belt Cover
83	Support Plate Motor Cover
84	Access Plate for Adjustment of Limit Switches
85	Motor Handle Access Cover
87	Shaft, Return Pulley
118	Corner Bracket for Fixing Horz U-Profile

NOTE

NOTE this table lists description of parts for identification purpose shown on page 45 through 58. Consult ASI parts department to order replacements.

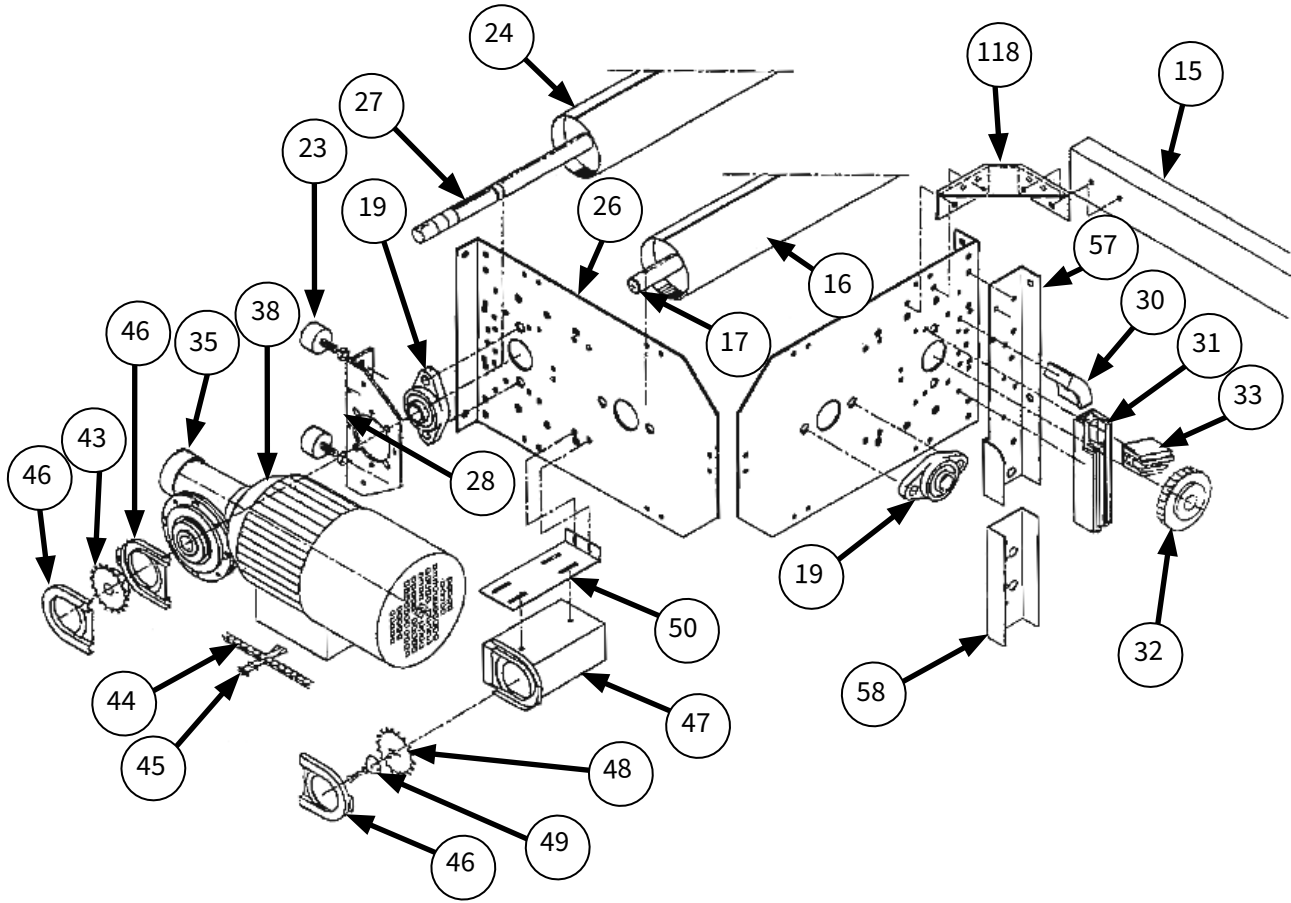
**When ordering parts, specify
Job Number, Door Number
and Manufacture Date**

Replacement Parts



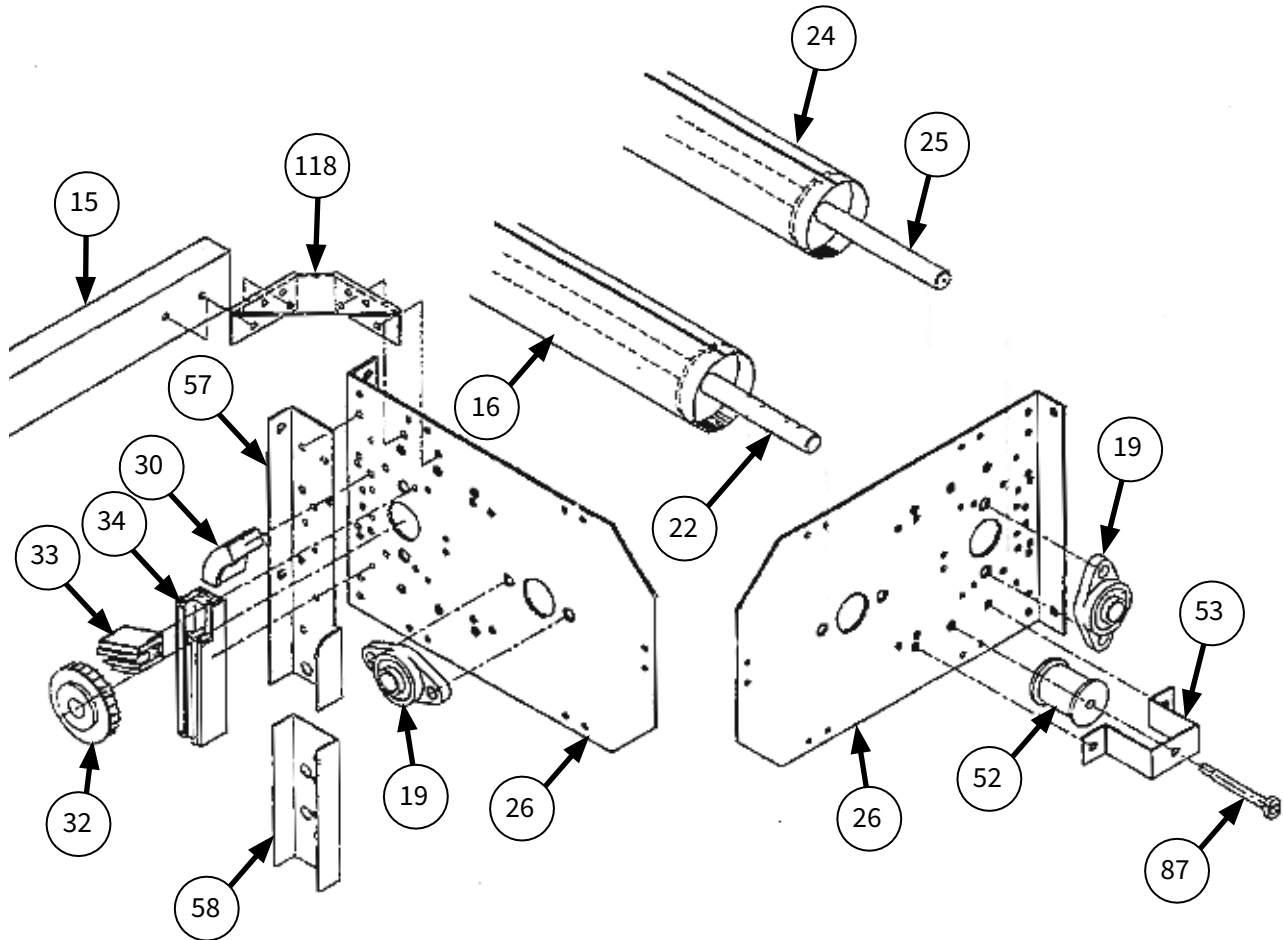
NOTE

NOTE this table lists description of parts for identification purpose shown on page 44 through 58. Consult ASI parts department to order replacements.



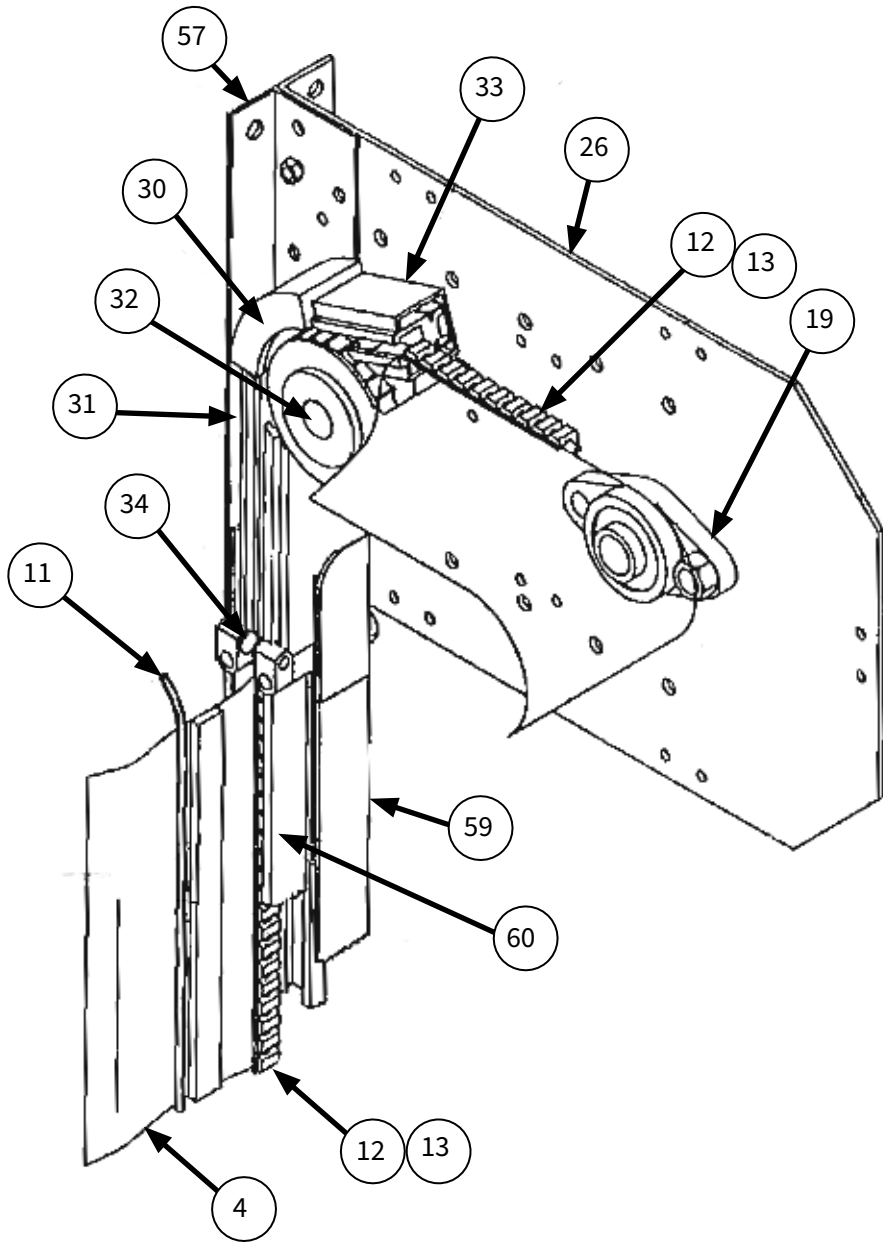
NOTE

NOTE this table lists description of parts for identification purpose shown on page 44 through 58. Consult ASI parts department to order replacements.



NOTE

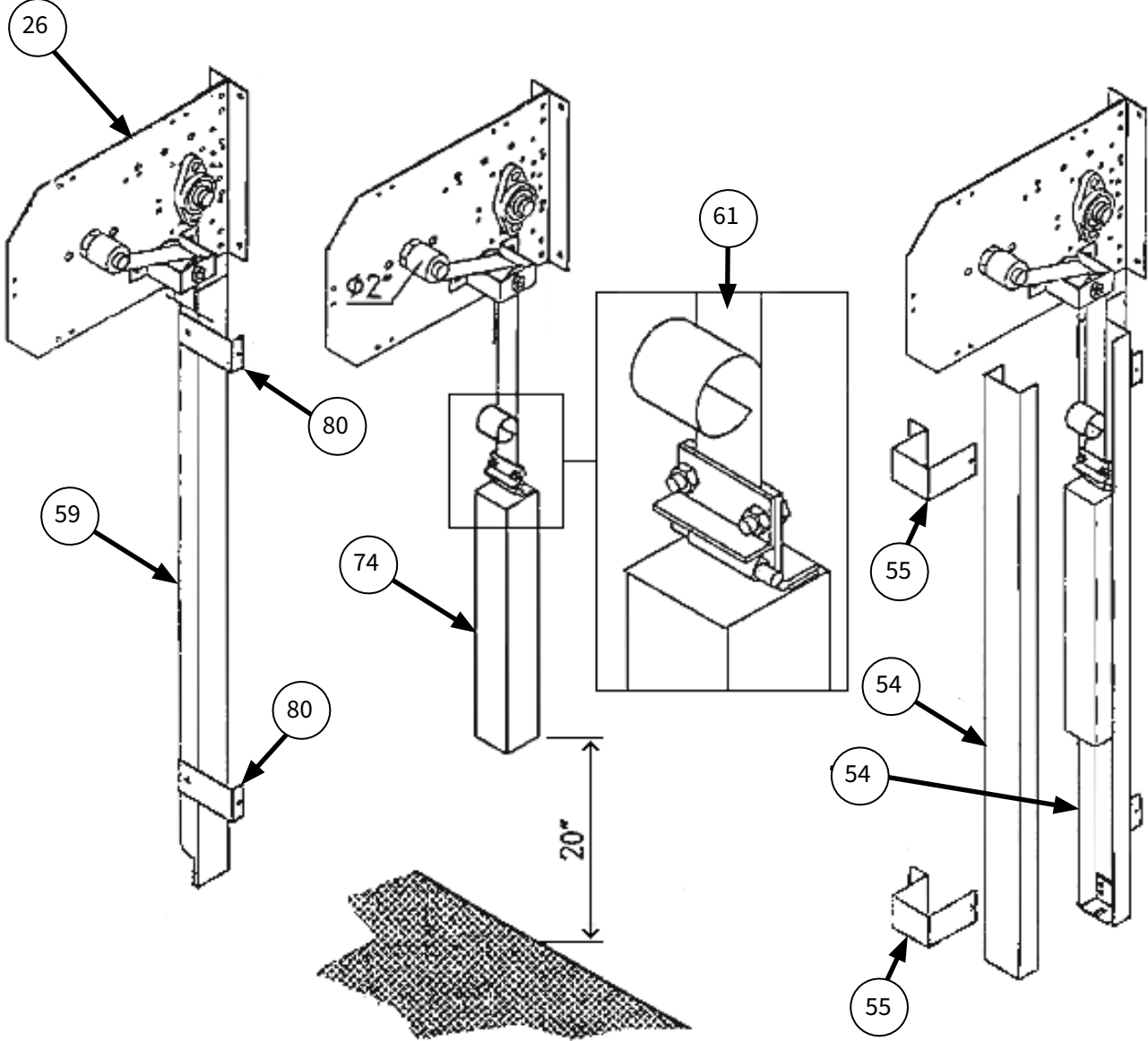
NOTE this table lists description of parts for identification purpose shown on page 44 through 58. Consult ASI parts department to order replacements.



NOTE

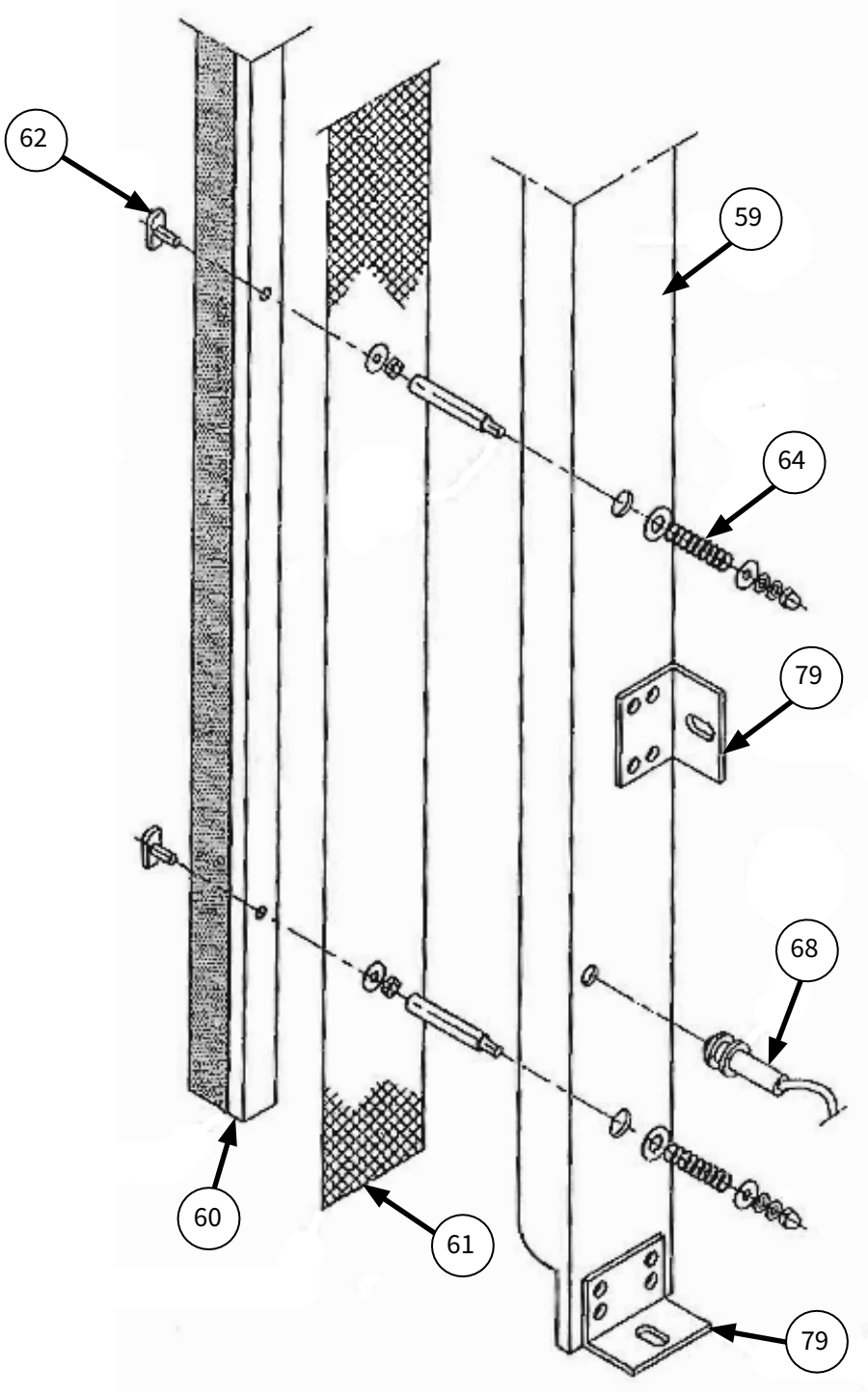
NOTE this table lists description of parts for identification purpose shown on page 44 through 58. Consult ASI parts department to order replacements.

Replacement Parts Continued



NOTE

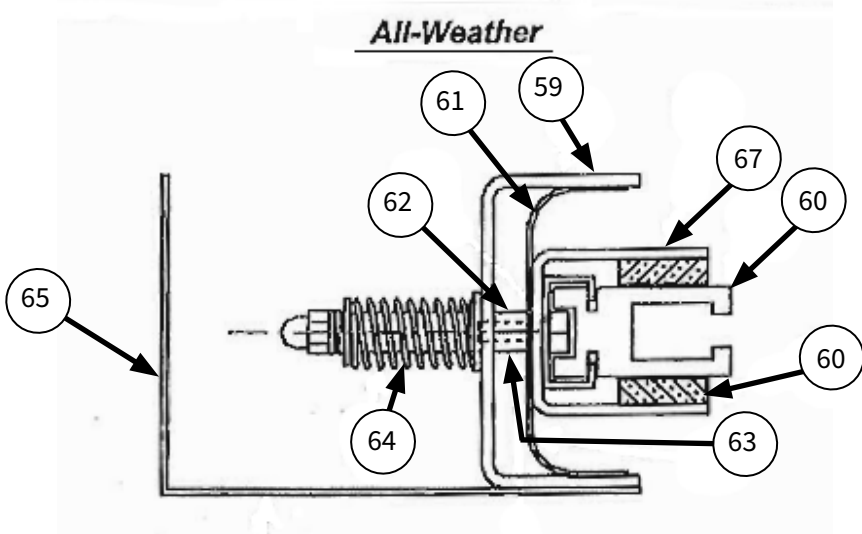
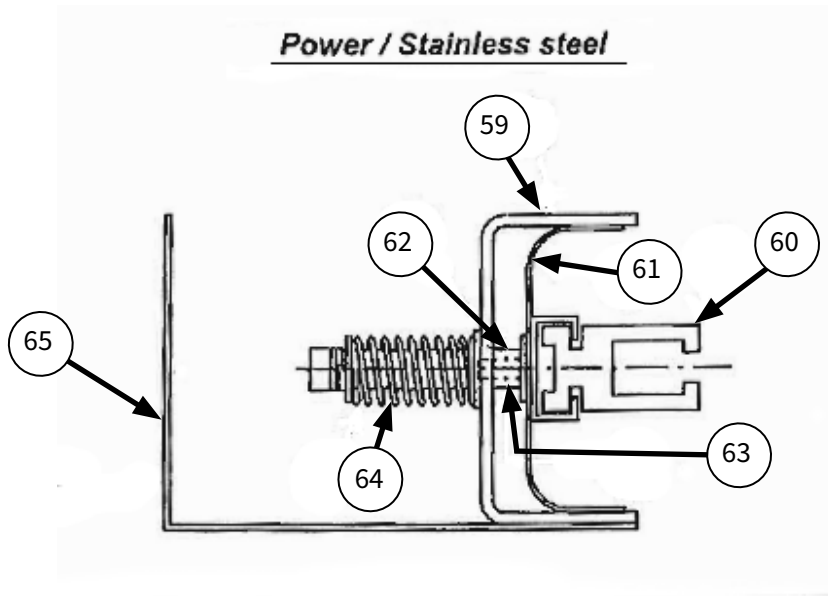
NOTE this table lists description of parts for identification purpose shown on page 44 through 58. Consult ASI parts department to order replacements.



NOTE

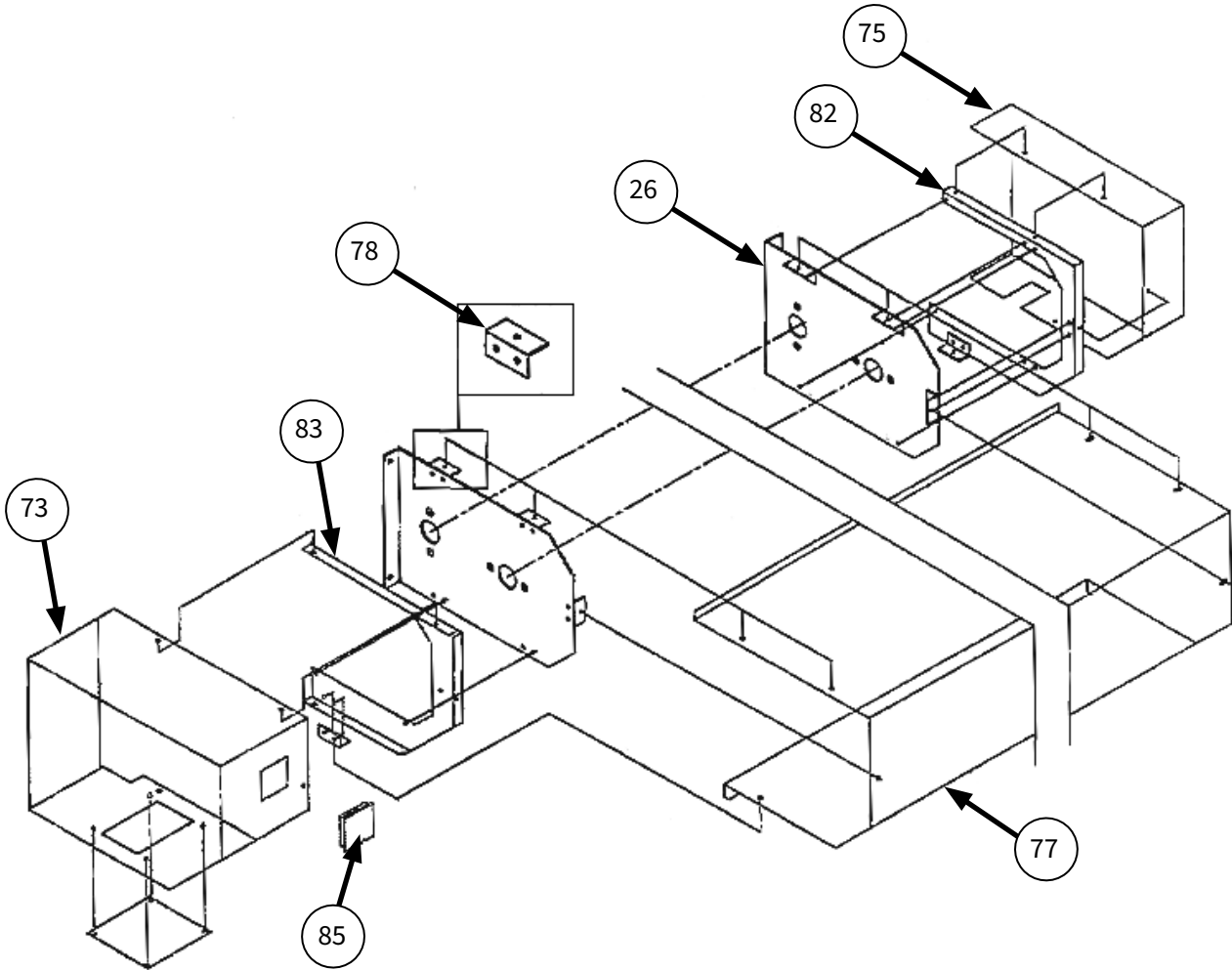
NOTE this table lists description of parts for identification purpose shown on page 44 through 58. Consult ASI parts department to order replacements.

REPLACEMENT PARTS



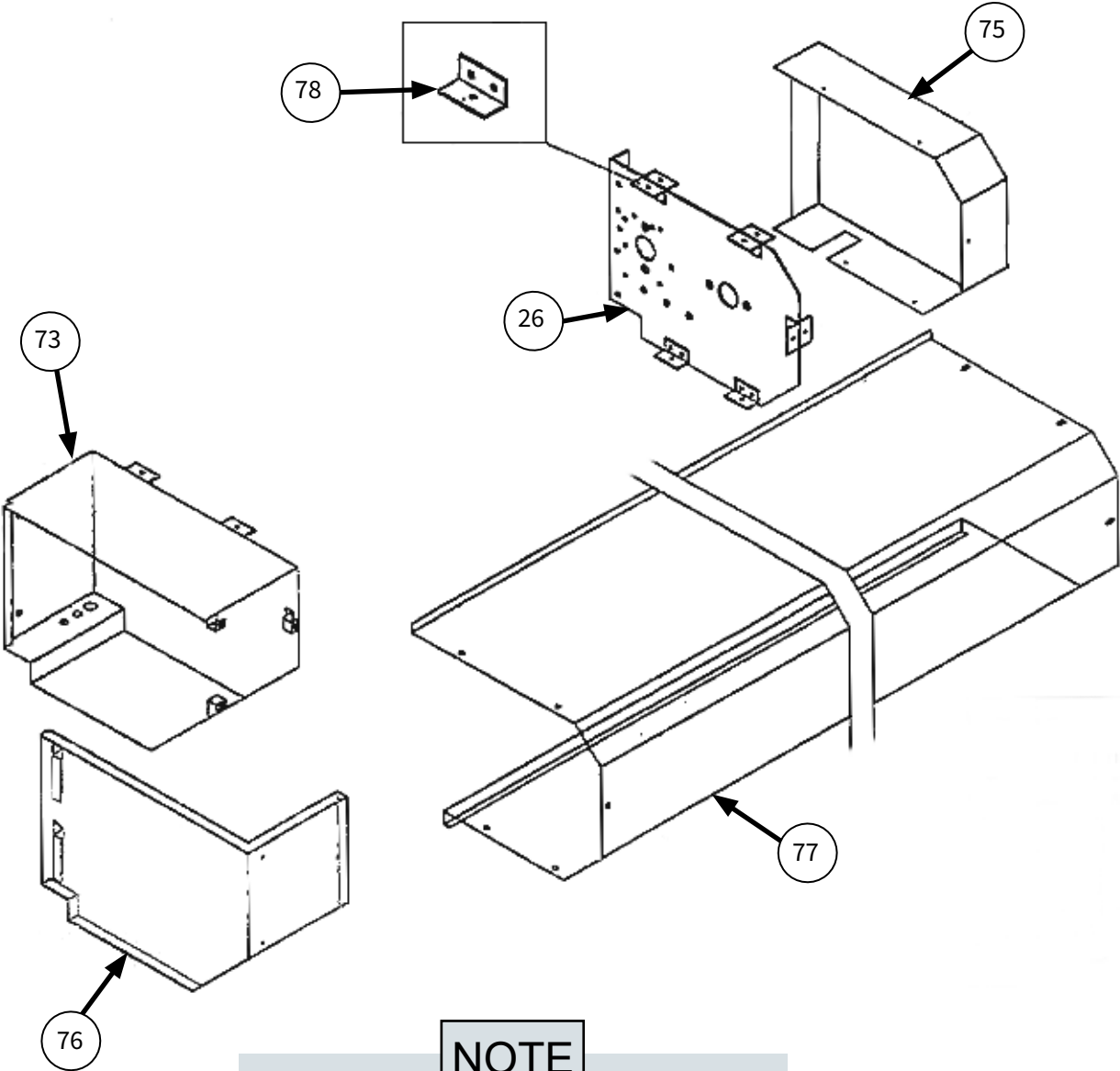
NOTE

NOTE this table lists description of parts for identification purpose shown on page 44 through 58. Consult ASI parts department to order replacements.



NOTE

NOTE this table lists description of parts for identification purpose shown on page 44 through 58. Consult ASI parts department to order replacements.



NOTE

NOTE this table lists description of parts for identification purpose shown on page 44 through 58. Consult ASI parts department to order replacements.

Replacement Parts continued

615/615F Service Parts	
ASI Part Number	Description
23A0409	Photoeye set COMPLETE includes transmitter, receiver, amplifier
23A0410	Photoeye transmitter AND receiver
23A0411	Photoeye AMPLIFIER
23A0412	Photoeye amplifier BASE/SOCKET
23A0436	Diablo Mag. Loop
23A0413	Transformer, Step-down, 208/230/460 50VA
23A0415	Transformer, Step-down, 24/110V 100VA
23A0414	Transformer, Step-down, 208/230/460 100VA (Doors w/opt relays)
23A0427	Relay 24VAC - DPDT for optional interlocking, flashers, etc.
23A0428	Socket, 24VAC- DPDT
23A0429	Pushbutton, Standard
23A0430	Nameplate, Pushbutton, Standard (one dozen nameplates)
23A0431	Emergency Stop Pushbutton
23A0432	Nameplate, Emergency Stop, (one dozen nameplates)
23A0433	Selector Switch, Airlock
23A0434	Nameplate, Airlock, ON/OFF
23A0437	Terminal block, Ground 1 Dz.
23A0438	Terminal block, 35A, Blk, 1 Dz.
23A0439	Terminal block, 35A, Red 1 Dz.
23A0422	Fuse 0.5 Amp 600V Class CC - (one dozen fuses)
23A0423	Fuse 2.0 Amp 250V Class M - (one dozen fuses)
23A0406NV	Cable, motor (per FT)
23A0401NV	Cable, Encoder (per FT)
23A0421	ASILogix II Controller Board
23A0400	Encoder
50A0170NN	Teeth, Replacement
05A0030NN	Spare Patch Material
16B0051NV	Window, Banner, PVC, 15" H Per Ft Width
16B0053NN	Window, Banner, PVC, 24" x 24"
24A0118NV (OPTION)	Curtain assembly, < 45 sq Ft, 615/615F
24A0118NV (OPTION)	Curtain assembly, < 96 sq ft, 615/615F
24A0118NV (OPTION)	Curtain assembly, < 175 sq ft, 615/615F
24A0118NV (OPTION)	Curtain assembly, < 215 sq ft, 615/615F
24A0118NV (OPTION)	Curtain assembly, < 270 sq ft, 615/615F
24A0118NV (OPTION)	Curtain assembly, < 325 sq ft, 615/615F
24A0118NV (OPTION)	Curtain assembly, < 390 sq ft, 615/615F
16B0054NV	Insulated Panel Up Charge, Per Sq. Ft.
50A0171NN	6" Methylene Inner Guide Piece
49A0020	Spring Kit 1.2" 14PCS (Power)
50A0172NN	Upper Drive Methylene
50A0173NN	Lower Drive Methylene
24A0106NN	Re-introduction Block, Model 615/615F
05A0031NV	Counterweight Replacement Belt
23A0424	WDD Transmitter, ≤ 12' WIDTH (Inside bottom of Curtain)
23A0425	WDD Transmitter, > 12' WIDTH (Inside bottom of Curtain)
23A0426	WDD Receiver (DIN rail mount-no socket)
23A0403NV	Cable, Anti-roll switch (per FT)
50A0174NN	6MM Allen Wrench - (For manual operation of door)
10A0041NN	Loctite adhesive for spare patch material

NOTE

NOTE this table lists description of parts for identification purpose shown on page 44 through 58. Consult ASI parts department to order replacements.



OPEN UP TO WHAT'S POSSIBLE



asidoors.com