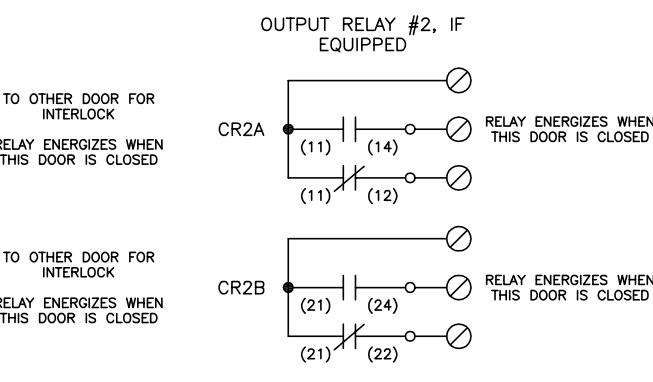
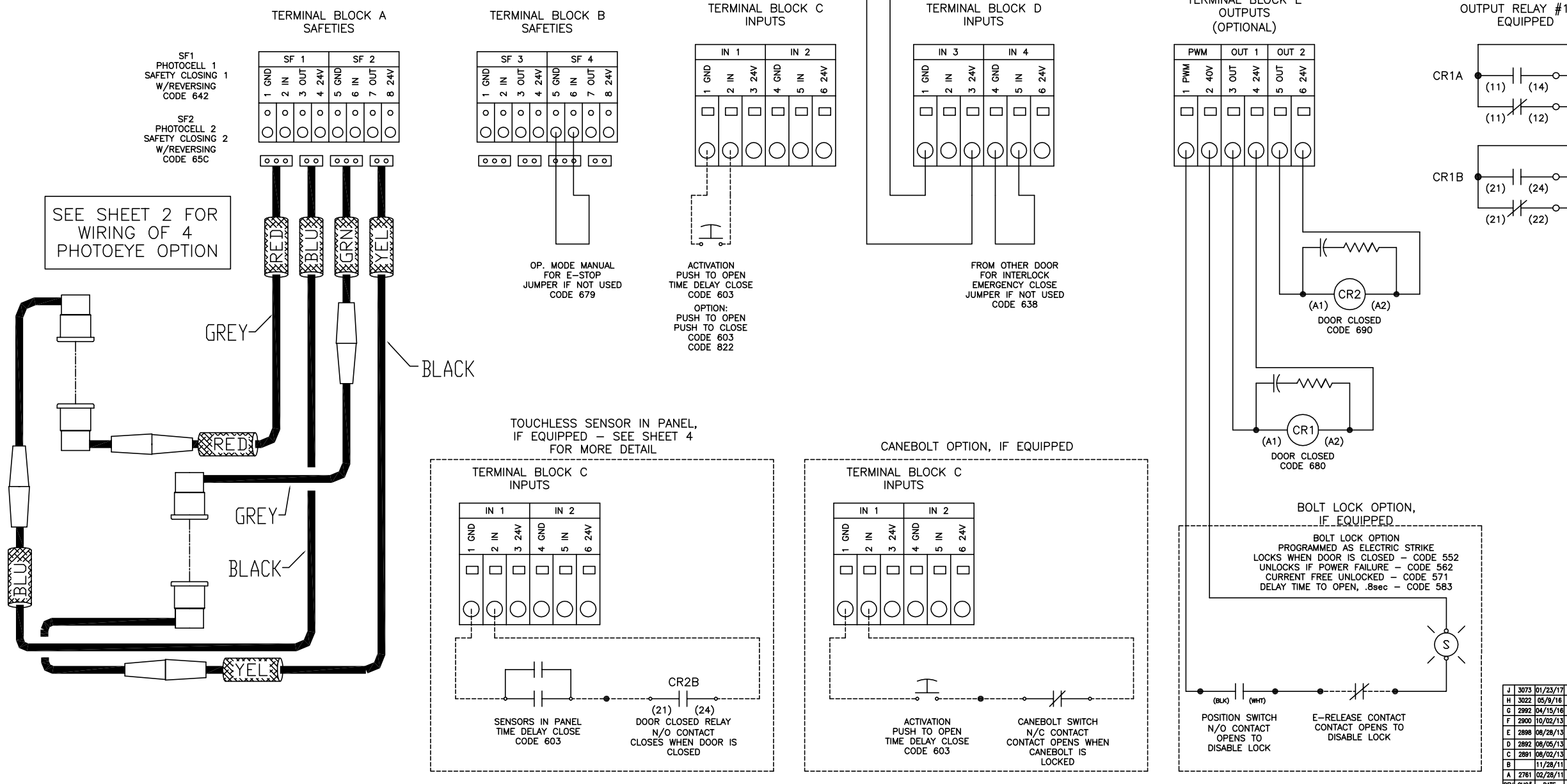


ADDITIONAL PROGRAMMING, T-TYPE ELECTRIC LOCK, IF EQUIPPED:  
 LOCK MODULE DETECTION: - CODE 032  
 LOCKS WHEN DOOR IS CLOSED: - CODE 552  
 UNLOCKS IF POWER FAILURE: - CODE 562  
 WITHOUT ELECTRIC STRIKE: - CODE 572

ADDITIONAL PROGRAMMING, BATTERY BACKUP, IF EQUIPPED:  
 BATTERY DETECTION: - CODE 033  
 RUNTIME BATTERY IN OP MODES 2 THRU 6, 120 MINS: - CODE 176  
 RUNTIME BATTERY IN OFF MODE, 120 MINS: - CODE 186

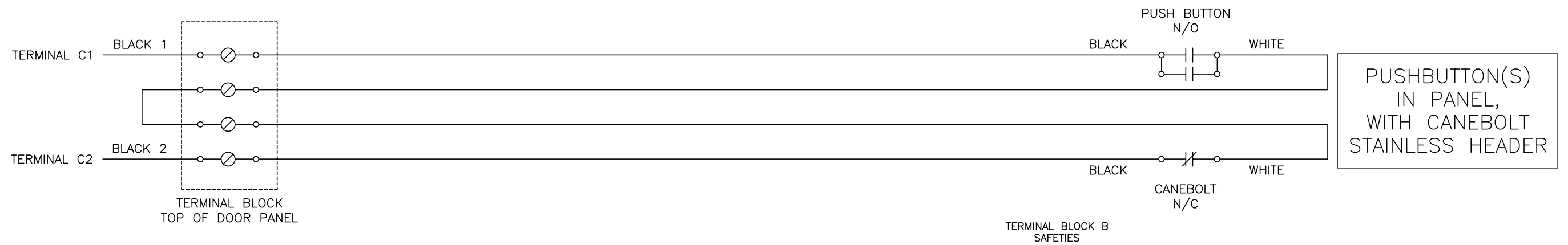
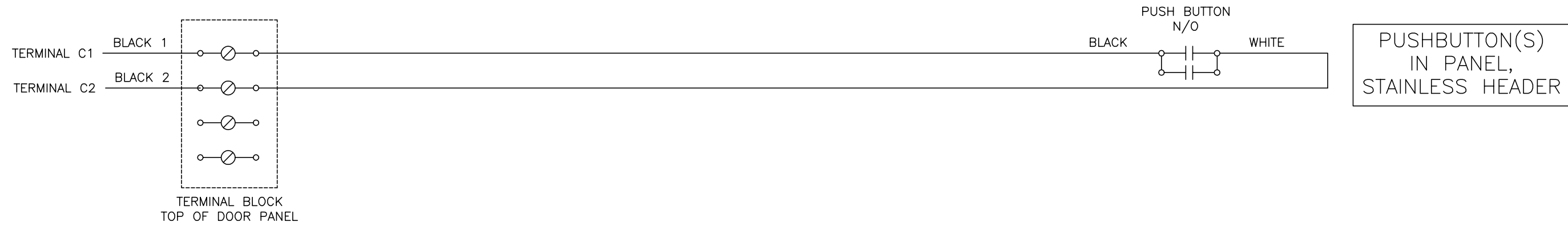
**OPTION, 1 & 2 RELAY BOM (FROM 55B0104):**

F3	F1	DESCRIPTION	PART #	ITEM #
-	1	ASM, INTERLOCK MODULE, 2301/2401, EXCEL, 1 RELAY	55B0104F1	-
1	-	ASM, INTERLOCK MODULE, 2301/2401, EXCEL, 2 RELAYS	55B0104F3	-
1	1	BRACKET, INTERLOCK MODULE/RELAY MOUNT, EXCEL	13B2110NN20	1
2	2	PLATE, SPLICE, INTERLOCK MODULE, EXCEL	13A0461NN20	2
2	1	SOCKET, RELAY, FINDER 95.05	23A232	3
2	1	RELAY, 24VDC, 2P, FINDER 40.52.9.024.0000	23A126	4
2	1	SUPPRESSOR, RC, 6-24 VAC/VDC, FINDER # 9902002409	23A241	5
1	1	DIN RAIL, 35MM, 2.5" LONG	22A006-024	6
2	2	STOP, DIN RAIL	22A008	7
6	6	WASHER, 1/4", FLAT	41A195	8
2	2	SCREW, 1/4-20 X .625, BHS, S/S	41A535	9
2	2	SCREW, 1/4-20 X .375, BH	41A699	10
4	4	NUT, 1/4-20, HEX, NYLOCK, S/S	41A639	11
2	2	SCREW, 10-24 X .625, SHCS, S/S	41A715	12
2	2	NUT, 10-24, WHZLK, S/S	41A716	13
AR	AR	INPUT/OUTPUT MODULE, TORMAX 2301/2401 (REF ONLY)	23A0370NN	14



- NOTES:
- 1) ----- FACTORY WIRED  
----- FIELD WIRED
  - 2) REFER TO OWNER'S MANUAL FOR CORRECT CALIBRATION INSTRUCTIONS. PERFORM CALIBRATION WITHOUT INTERLOCKS ENABLED, IF EQUIPPED.
  - 3) IF THE DOOR IS INTERLOCKED, USE THE N.O. CONTACTS OF THE OUTPUT RELAY TO SIGNAL OTHER DOOR OF THE INTERLOCK. (SEE OUTPUT RELAY WIRING ABOVE)
  - 4) IF DOOR HAS CANEBOLT LOCK, USE THE N.C. CONTACT OF THE CANEBOLT AND WIRE IN SERIES WITH ACTIVATION DEVICE.
  - 5) WHEN COMMISSIONING A SERIES OF INTERLOCKED DOORS, MAKE INTERLOCK CONNECTIONS BETWEEN DOORS WHILE LEAVING JUMPER BETWEEN D4 AND D5 IN PLACE. WHEN ALL TERMINATIONS ARE IN PLACE AND ALL DOORS ARE FUNCTIONING INDEPENDENTLY, REMOVE JUMPERS AND TEST INTERLOCK FUNCTIONALITY. THIS WILL PREVENT DOORS FROM BEING LOCKED OUT IF ALL THE DOORS ARE NOT YET FUNCTIONAL.
  - 6) PER LOCAL CODE, LOW VOLTAGE WIRING MUST BE RUN IN SEPARATE CONDUIT FROM HIGH VOLTAGE WIRING.

REV	DATE	DESCRIPTION	
J	01/23/17	KWG REVISED RELAY BOM (SH 1), ADDED SENSOR WIRING (SH 2)	
H	05/9/16	NEW ADDED 4 PHOTOEYE WIRING SHEET 2	
G	04/15/16	KWG ADDED TOUCHLESS SENSOR WIRING (PAGE 4)	
F	10/02/13	KWG CHANGED WIRING OF BRAKE RELEASE MODULE (PG 1)	
E	08/28/13	KWG ADDED BRAKE RELEASE RELAY "CRB", TOUCHLESS SENSOR, AND CURRENT RELAY "E" CIRCUITS	
D	08/05/13	KWG ADDED PAGE 3, INDOOR CONTROLLED PUSH BUTTONS, LIP	
C	08/02/13	KWG ADDED LOW/HIGH VOLTAGE NOTE	
B	11/28/11	KWG ADDED DETAIL FOR SECOND OUTPUT RELAY	
A	02/28/11	KWG ADDED RELAY / I/O MODULE BOM & DETAILS	
REV	CHG#	DATE	DESCRIPTION

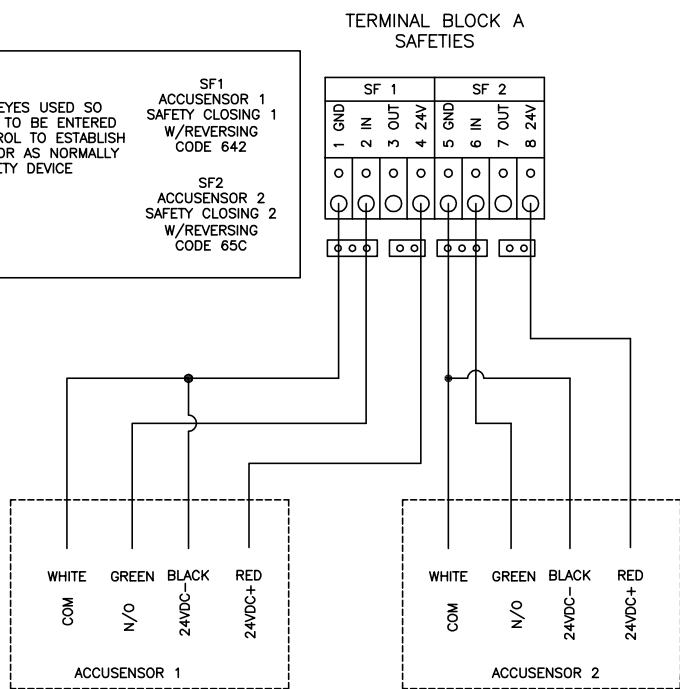


WIRING BELOW FOR NABCO ACCUSENSOR IN PLACE OF STANDARD TORMAX REVERSING PHOTOEYES

NOTE: NO PHOTOEYES USED SO CODE 031 TO BE ENTERED FOR CONTROL TO ESTABLISH ACCUSENSOR AS NORMALLY OPEN SAFETY DEVICE

SF1 ACCUSENSOR 1 SAFETY CLOSING 1 W/REVERSING CODE 64Z

SF2 ACCUSENSOR 2 SAFETY CLOSING 2 W/REVERSING CODE 65C

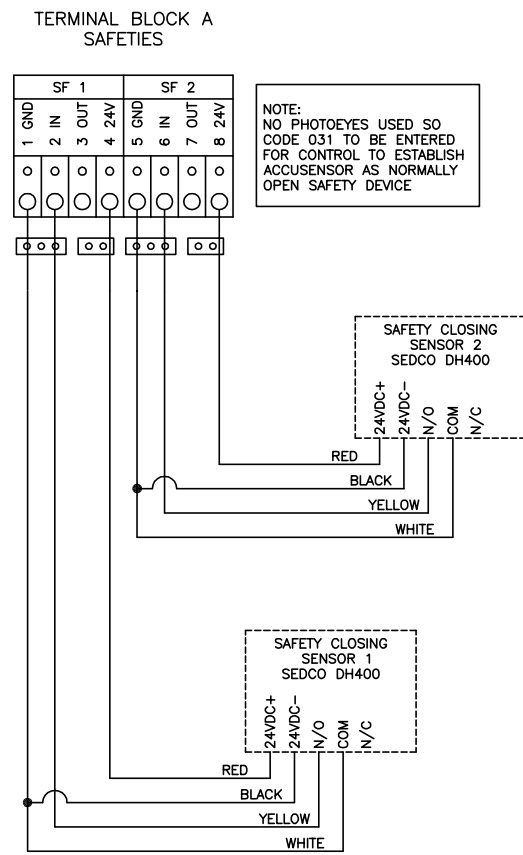


WIRING BELOW FOR MS SEDCO DH400 IN PLACE OF STANDARD TORMAX REVERSING PHOTOEYES

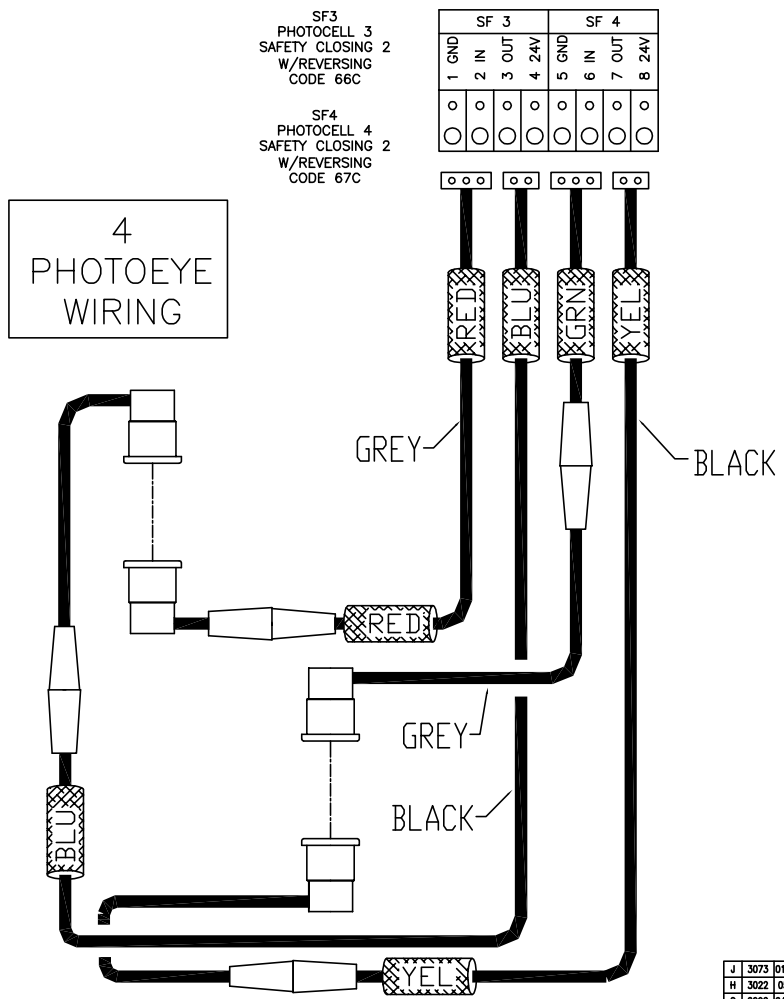
SF1 DH400 SENSOR 1 SAFETY CLOSING 1 W/REVERSING CODE 64Z

SF2 DH400 SENSOR 2 SAFETY CLOSING 2 W/REVERSING CODE 65C

NOTE: NO PHOTOEYES USED SO CODE 031 TO BE ENTERED FOR CONTROL TO ESTABLISH ACCUSENSOR AS NORMALLY OPEN SAFETY DEVICE

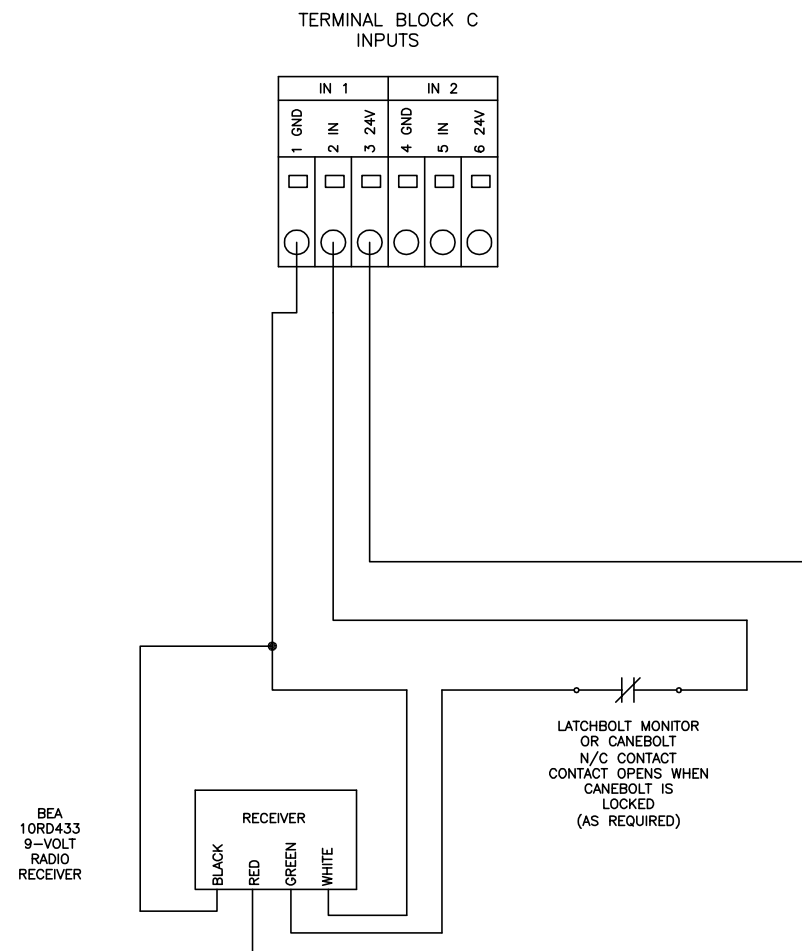


4 PHOTOEYE WIRING



ADD EXTRA RED TAPE TO EACH CABLE

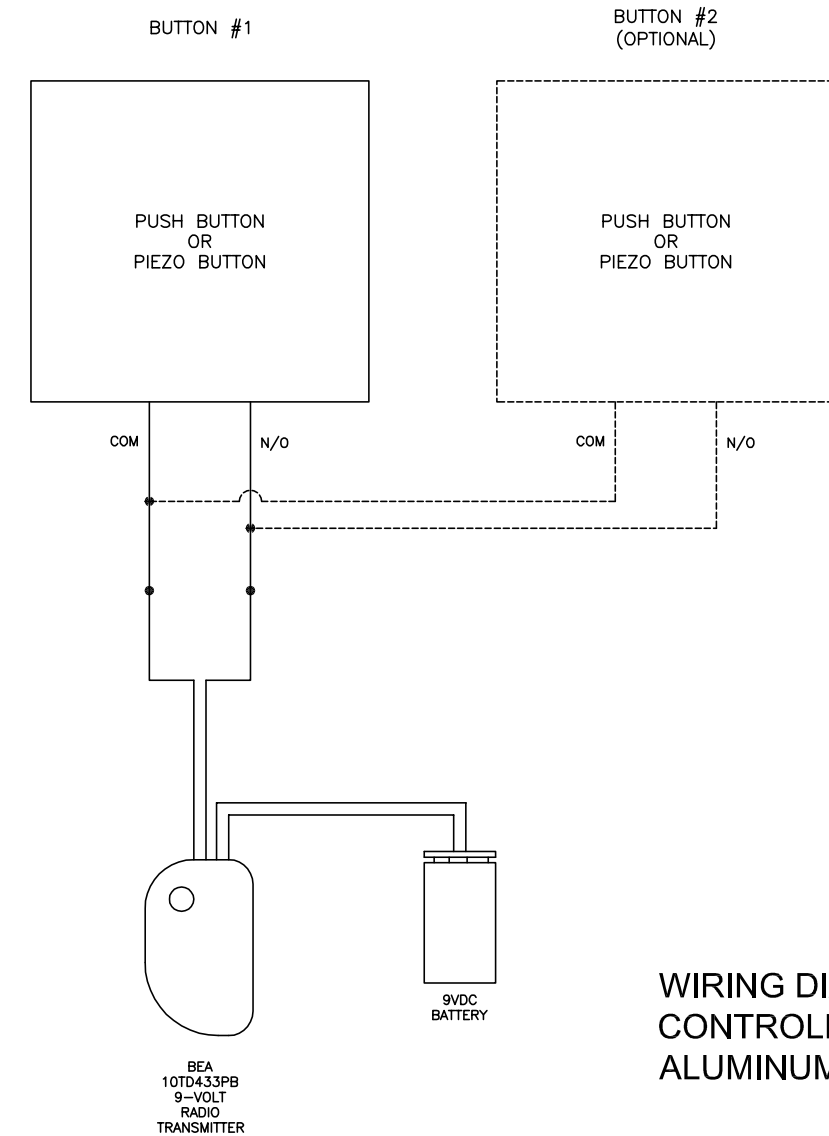
# DOOR HEADER



- PROGRAMMING THE RECEIVER
1. PRESS AND RELEASE THE "NO DELAY" LEARN BUTTON.
  2. PRESS THE BUTTON ON THE TRANSMITTER REPEATEDLY UNTIL THE BLUE LED ON THE RECEIVER ILLUMINATES.

# DOOR PANEL

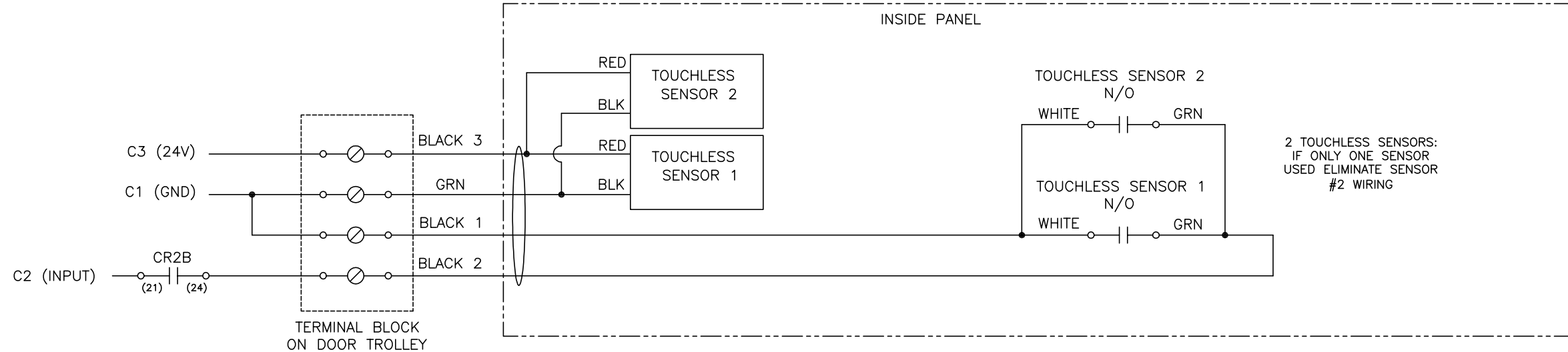
DO NOT USE METAL ELECTRICAL BOX IN DOOR PANEL



WIRING DIAGRAMS, RADIO CONTROLLED PUSH BUTTONS, ALUMINUM (LXP) HEADERS

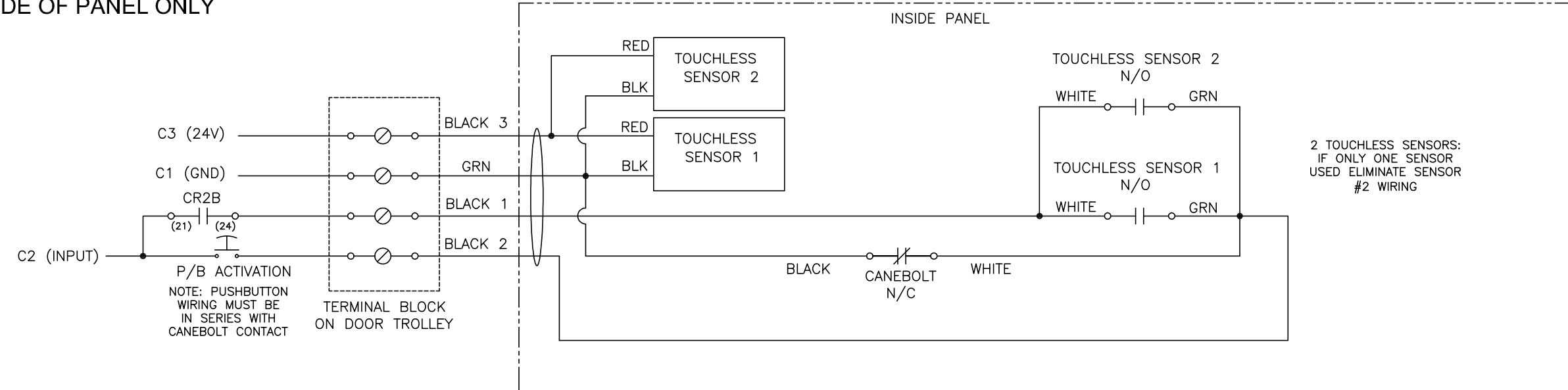
**ASI DOORS, INC.**  
5848 NORTH 95th COURT MILWAUKEE, WISCONSIN 53225

REV	CHG#	DATE	BY	DESCRIPTION	TOLERANCES UNLESS OTHERWISE NOTED	EXP. NO.	DRAWING NO.	REV NO.
J	3073	01/23/17	KWG	REVISED RELAY BOM (SHT 1), ADDED SENSOR WIRING (SHT 2)	X.X ±.08 X.XX ±.03 X.XXX ±.010		18D248	J
H	3022	05/9/16	NEW	ADDED 4 PHOTOEYE WIRING TO SHEET 2	DIA./RADIUS ±.005 ANGLES ±.1			
G	2992	04/15/16	KWG	ADDED TOUCHLESS SENSOR WIRING (PAGE 4)				
F	2900	10/02/13	KWG	CHANGED WIRING OF BRAKE RELEASE MODULE (PG 1)				
E	2898	08/28/13	KWG	ADDED BRAKE RELEASE RELAY "SHT", TOUCHLESS SENSOR, AND CURTAIN RELAY (E DRAWING PAGE 1)				
D	2892	08/05/13	KWG	ADDED PAGE 3, RADIO CONTROLLED PUSH BUTTONS, LXP				
C	2891	08/02/13	KWG	ADDED LOW/HIGH VOLTAGE NOTE				
B		11/28/11	KWG	ADDED DETAIL FOR SECOND OUTPUT RELAY				
A	2761	02/28/11	KWG	ADDED RELAY / I/O MODULE BOM & DETAILS				



PANEL MOUNTED TOUCHLESS SENSORS  
(STAINLESS EXCEL HEADERS ONLY)

**NOTE:**  
CR2B CONTACT REQUIRED TO  
DEFEAT TOUCHLESS SENSOR ON  
BACK SIDE OF PANEL FROM SENSING  
THE WALL WHEN DOOR IS OPEN AND  
CAUSING DOOR TO STAY OPEN - IT  
CAN BE ELIMINATED **IF** TOUCHLESS  
SENSOR IS MOUNTED ON FRONT  
SIDE OF PANEL ONLY



PANEL MOUNTED TOUCHLESS SENSORS WITH CANEBOLT  
(STAINLESS EXCEL HEADERS ONLY)

**ASI DOORS, INC.**  
5848 NORTH 95th COURT MILWAUKEE, WISCONSIN 53225

J	3073	01/23/17	KWG	REVISED RELAY BOM (SHT 1), ADDED SENSOR WIRING (SHT 2)	TOLERANCES UNLESS OTHERWISE NOTED X.X ±.08 X.XX ±.03 X.XXX ±.010 DIA./RADIUS ±.005 ANGLES ±T	ASI DOORS, INC. RESERVES PROPRIETARY RIGHTS TO THIS DRAWING AND THE DATA SHOWN THEREON. SAID DRAWING AND/OR DATA ARE CONFIDENTIAL AND ARE NOT TO BE USED OR REPRODUCED FOR ANY PURPOSE WITHOUT WRITTEN CONSENT OF ASI DOORS, INC.
H	3022	05/9/16	NEW	ADDED 4 PHOTOEYE WIRING SHEET 2	OWN BY	EXP. NO.
G	2992	04/15/16	KWG	ADDED TOUCHLESS SENSOR WIRING (THIS PAGE)	UEG #	DATE
F	2900	10/02/13	KWG	CHANGED WIRING OF BRAKE RELEASE MODULE (PG 1)	DATE	01/12/11
E	2898	08/28/13	KWG	ADDED BRAKE RELEASE RELAY "SHT", TOUCHLESS SENSOR, AND OUTPUT RELAY (E-DRUMS PAGE 1)	SCALE	1:2
D	2892	08/05/13	KWG	ADDED PAGE 3, RADIO CONTROLLED PUSH BUTTONS, LXP	DRAWING NO.	18D248
C	2891	08/02/13	KWG	ADDED LOW/HIGH VOLTAGE NOTE	REV NO.	J
B		11/28/11	KWG	ADDED DETAIL FOR SECOND OUTPUT RELAY		
A	2761	02/28/11	KWG	ADDED RELAY / I/O MODULE BOM & DETAILS		
REV	CHG#	DATE	BY	DESCRIPTION	NEXT ASML	