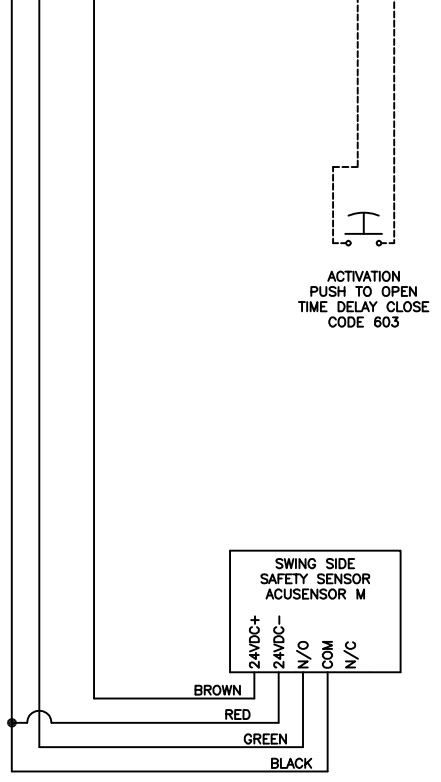
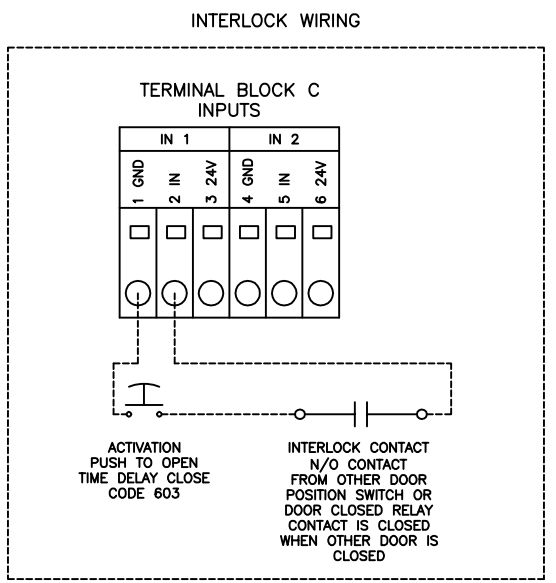


- NOTES:
- 1) ———— FACTORY WIRED
----- FIELD WIRED
 - 2) REFER TO OWNER'S MANUAL FOR CORRECT CALIBRATION INSTRUCTIONS. PERFORM CALIBRATION WITHOUT INTERLOCKS ENABLED, IF EQUIPPED.
 - 2) ACTIVATION DEVICE LEADS TO BE WIRED ACROSS C1 AND C2. SEE TERMINAL DESCRIPTIONS FOR OPERATING FUNCTION DESIRED.
 - 3) IF THE DOOR IS INTERLOCKED, USE THE N.O. CONTACTS OF THE OUTPUT RELAY TO SIGNAL OTHER DOOR OF THE INTERLOCK. (SEE OUTPUT RELAY WIRING ABOVE)
 - 4) WHEN COMMISSIONING A SERIES OF INTERLOCKED DOORS, MAKE INTERLOCK CONNECTIONS BETWEEN DOORS WHILE JUMPING OUT INTERLOCK CONTACT. WHEN ALL TERMINATIONS ARE IN PLACE AND ALL DOORS ARE FUNCTIONING INDEPENDENTLY, REMOVE JUMPERS AND TEST INTERLOCK FUNCTIONALITY. THIS WILL PREVENT PREVENT DOORS FROM BEING LOCKED OUT IF ALL THE DOORS ARE NOT YET FUNCTIONAL.



PART TO BE CLEAN, DEBURRED, AND FREE OF SHARP EDGES

ASI DOORS, INC.
5848 NORTH 95th COURT MILWAUKEE, WISCONSIN 53225

TITLE SCHEMATIC, PHARM DOOR, 115 VAC
1301 SINGLE SWING, ACU-M

TOLERANCES UNLESS OTHERWISE NOTED
X.X ±.08 X.XX ±.03 X.XXX ±.010
DIA./RADIUS ±.005 ANGLES ±.1°

ASI DOORS, INC. RESERVES PROPRIETARY RIGHTS TO THIS DRAWING AND THE DATA SHOWN THEREON. SAID DRAWING AND/OR DATA ARE CONFIDENTIAL AND ARE NOT TO BE USED OR REPRODUCED FOR ANY PURPOSE WITHOUT WRITTEN CONSENT OF ASI DOORS, INC.

B	3142	04/09/18	KWG	ACUSENSOR M WAS DH400, UPDATED SF1
A	2999	06/14/16	UEG	INITIAL RELEASE
REV	CHG #	DATE	BY	REVISION

EXP. NO. 06/14/16
SCALE 1=2
DRAWING NO. 18D292
REV NO. B