

OPTIONS - MAXIMUM 2	
DESCRIPTION	PART NO
DOOR CLOSED RELAY (INTERLOCK OPTION)	55A150
BOLT LOCK RELAY OPTION	55A201
DOOR OPEN RELAY OPTION	55A151

THE FOLLOWING PARTS ARE ADDED IF BOLT LOCK OPTIONS 55A201F7-55A201F12 ARE SELECTED

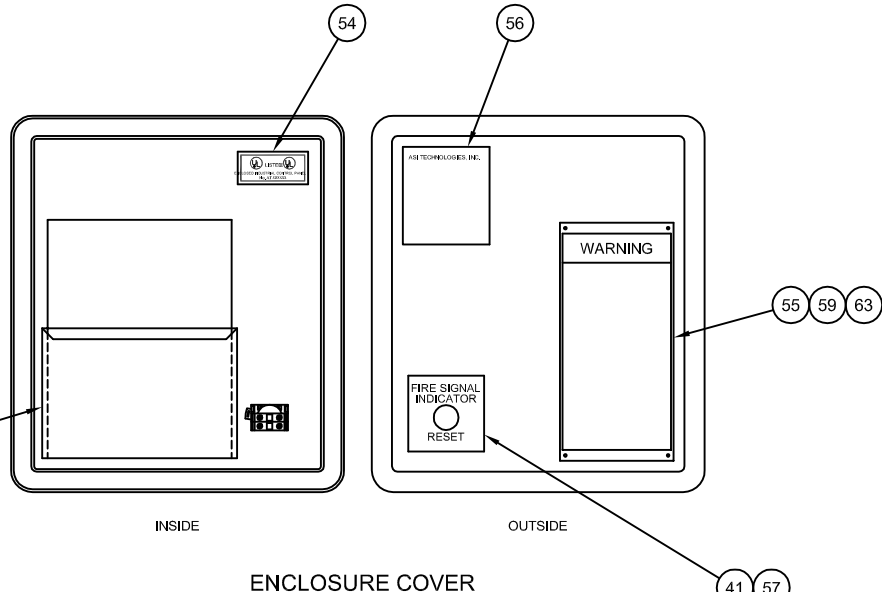
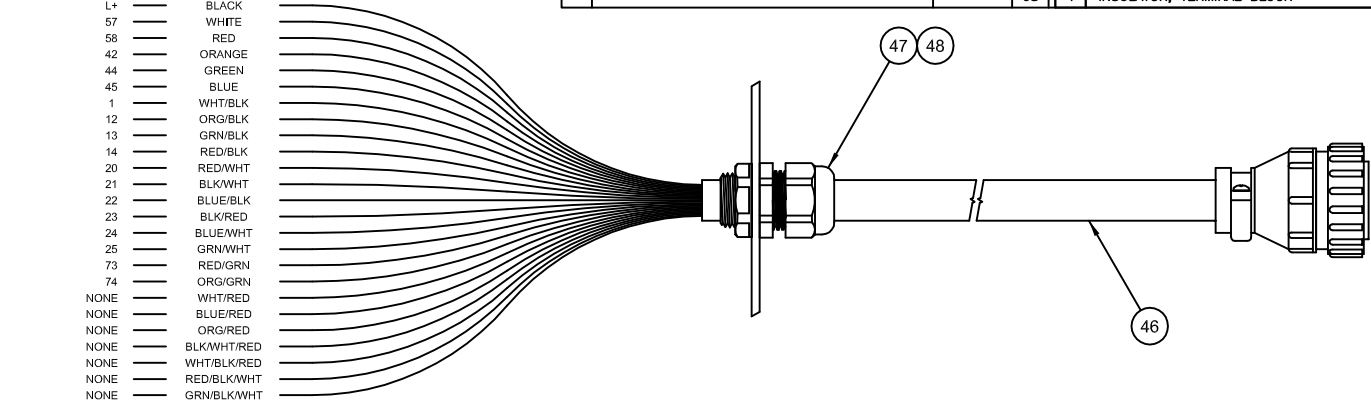
QTY	DESCRIPTION	PART NO.	ITEM
1	POWER SUPPLY	23A256	70
1	BASE, RELAY, FINDER	23A232	-
1	RELAY, 24 VAC, FINDER	23A234	-
1	SUPPRESSOR, RC	23A241	-
3	BLOCK, TERMINAL	22A007	-
3	LABEL, TERMINAL BLOCK	22A012	-
1	DIODE, IN4007	23A249	71
2	PIN, 18-16 AWG	22A057	-
2	SCREW, #10-24 x .50, PH PHMS, S/S	41A618	-
2	NUT, #10-24, HEX, KEPS, ZN	41A116	-

THE FOLLOWING PARTS ARE SUBSTITUTED FOR 23C022F1/23C022F3 IF BOLT LOCK OPTIONS 55A201F7-55A201F12 ARE SELECTED

QTY	DESCRIPTION	PART NO.	ITEM
AR	HARNESS, 25 CONDUCTOR, 16' LONG	23C022F2	-
AR	HARNESS, 25 CONDUCTOR	23C022F4	-

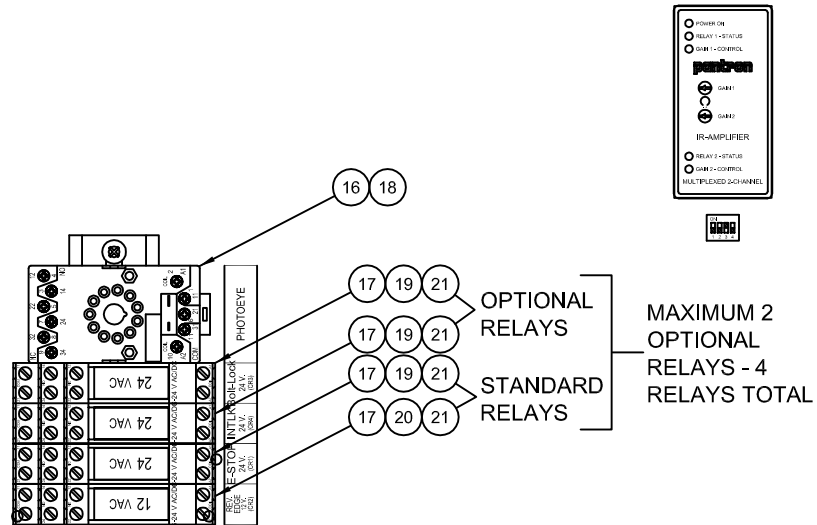
- L+ --- BLACK
- 57 --- WHITE
- 58 --- RED
- 42 --- ORANGE
- 44 --- GREEN
- 45 --- BLUE
- 1 --- WHT/BLK
- 12 --- ORG/BLK
- 13 --- GRN/BLK
- 14 --- RED/BLK
- 20 --- BLK/WHT
- 21 --- BLK/BLK
- 22 --- BLK/RED
- 23 --- BLK/WHT
- 24 --- GRN/WHT
- 25 --- RED/GRN
- 73 --- ORG/GRN
- 74 --- WHT/RED
- NONE --- BLUE/RED
- NONE --- ORG/RED
- NONE --- BLK/WHT/RED
- NONE --- WHT/BLK/RED
- NONE --- RED/BLK/WHT
- NONE --- GRN/BLK/WHT

BILL OF MATERIAL							
QTY	DESCRIPTION	PART NO.	ITEM	QTY	DESCRIPTION	PART NO.	ITEM
1	SEPARATOR, LINK RAIL	22A019	31	1	ENCLOSURE, 16 X 14	14D011	1
5	LINK, RAIL, 2 POSITION	22A010	32	1	SUBPANEL	13C366	2
1	PUSHBUTTON, ILLUMINATED YELLOW	22A060	41	1	COUNTER, 24 VAC	23A003	3
			45	1	RESISTOR, 200 OHMS	23A190-200	4
AR	HARNESS, 19 CONDUCTOR, 16' LONG	23C022F1	46	2	BRACKET, DIN RAIL	13B679	5
AR	HARNESS, 19 CONDUCTOR	23C022F3	46	1	RAIL, DIN, 100 mm	22B025	6
1	STRAIN RELIEF, NYLON	22A217	47	1	RAIL, DIN, 175 mm	22B026	7
1	LOCKNUT, NYLON	22A196	48	1	RAIL, DIN, 375 mm (14.76")	22A006	8
1	ENVELOPE	17A036	50	1	TRANSFORMER, 120/240V TO 24V	23B040	9
			51	1	VFD, 120 VAC, SMV #ESV251N01SXB	23B0175	12
1	LABEL, SUBPANEL	17B020	52	1	PARAMETER SETTINGS, AC TECH VFD, SMV	18B011-SMV	13
1	LABEL, PLC	17B021	53	1	PROGRAMMABLE LOGIC CONTROLLER	23A0490	14
1	LABEL, UL 508	17A107	54	1	PROGRAM, SIEMENS PLC	18B022-2	15
1	LABEL, WARNING	17C012	55	1	BASE, 11 PIN	23A233	16
1	LABEL, RATING PLATE	17B007	56	2	BASE, RELAY, FINDER	23A232	17
1	LABEL, FIRE SIGNAL/RESET	17B023	57	1	AMPLIFIER, PHOTOEYE, DUAL CHANNEL	23A226	18
1	PLC AUXILIARY MODULE	23A0491	58	1	RELAY, 24 VAC, FINDER	23A234	19
1	PLATE, MOUNTING, WARNING LABEL	13B684	59	1	RELAY, 12 VAC, FINDER	23A235	20
2	SCREW, #4-40 X .250", PAN, PHL	41A052	60	2	SUPPRESSOR, RC, FINDER	23A241	21
4	SCREW, #6-32 X .375", PAN, PHL, TYPE "F"	41A720	61	1	BLOCK, FUSE, 2 POLE	23A239	22
21	SCREW, #10-32 X .375", PAN, PHL, TYPE "F"	41A721	62	1	FUSE, MIDGET, 3 AMP	22A210-2	24
4	RIVET, POP, .125 DIA	41A008	63	1	FUSE, MIDGET, 5 AMP	22A210-3	25
3	PLUG, HOLE, 1/2" CONDUIT	22A241	64	37	BLOCK, TERMINAL	22A007	26
1	LABEL, PLC STATUS	17B033	65	4	RETAINER, END	22A008	27
1	LABEL, DRILLING ENCLOSURE	17A231	66	41	LABEL, TERMINAL BLOCK	22A012	28
1	PLC, TIMER POTENTIOMETER	23A0492	67	2	BARRIER, TERMINAL BLOCK	22A009	29
			68	1	INSULATOR, TERMINAL BLOCK	11B039	30



OPTIONAL POWER SUPPLY FOR BOLT-LOCK OPTION

- NOTES:
- IF THE PANEL IS BEING BUILT FOR ONLY 1 SET OF PHOTOEYES, TERMINALS 11 & 12 ON THE PHOTOEYE BASE MUST BE JUMPED TOGETHER.
 - ALL WIRING TO BE COPPER CONDUCTOR ONLY (60° C MINIMUM).
 - ALL TERMINAL STRIP SCREWS ARE TO BE TORQUED TO 4.4 IN-LB.
 - ALL CONDUIT HUBS OR FITTINGS MUST MATCH OR EXCEED ENVIRONMENTAL RATING OF ENCLOSURE.
 - "CAUTION" BONDING BETWEEN CONDUIT CONNECTIONS IS NOT AUTOMATIC AND MUST BE PROVIDED AS PART OF THE INSTALLATION.
 - PER LOCAL CODE, LOW VOLTAGE WIRING MUST BE RUN IN SEPARATE CONDUIT FROM HIGH VOLTAGE WIRING.



ENVELOPE CANNOT HIDE THE LABELS ON THE COVER

MAXIMUM 2
OPTIONAL
RELAYS - 4
RELAYS TOTAL

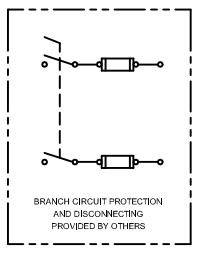
ENCLOSURE COVER
SCALE 1=3

SHEET 1 OF 3

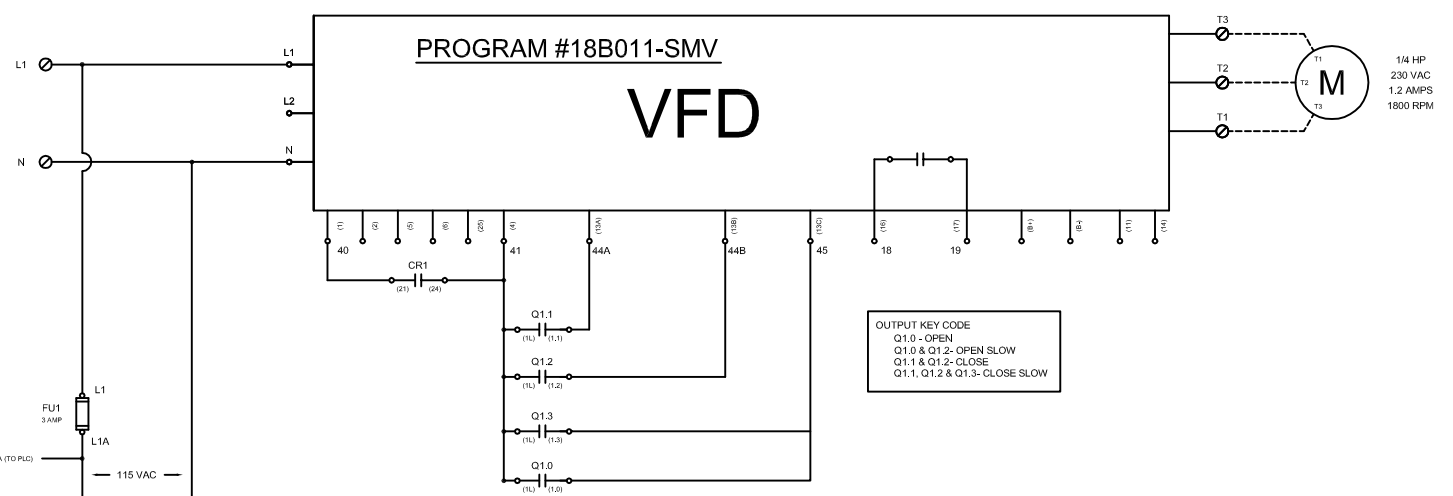
ASI DOORS, INC.
5848 NORTH 95th COURT MILWAUKEE, WISCONSIN 53225
TITLE ASM, PLC, CONTROL PANEL 115 VAC
CLEANSEAL SLIDING FIRE DOOR

B	3234	12/04/19	KWG	CHANGED TEXT FOR POT #1, DOOR OPEN, & DOOR CLOSED CIRCUIT DETAIL ON PAGE 2	DATE	1/14/19	SCALE	1=1
A	3184	1/30/19	WBW	INITIAL RELEASE	DATE	1/14/19	SCALE	1=1
REV	CHG#	DATE	BY	REVISION	DATE	1/14/19	SCALE	1=1

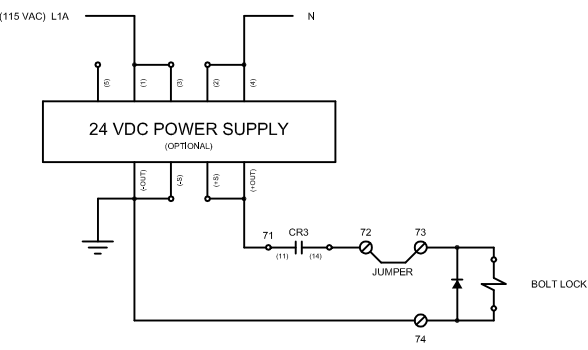
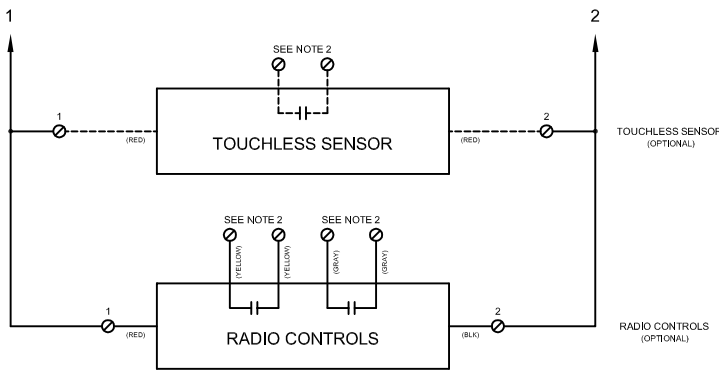
18D340 B



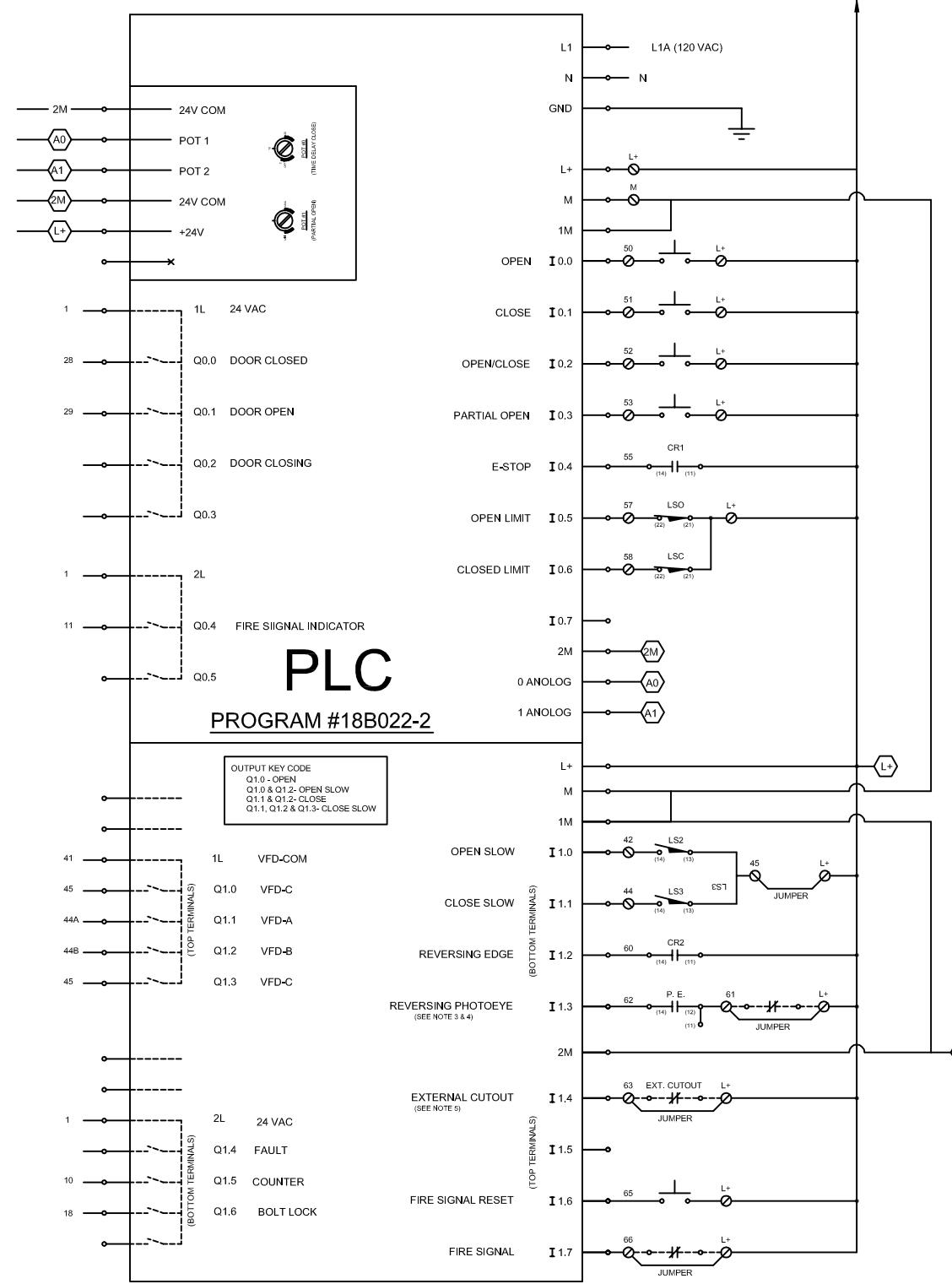
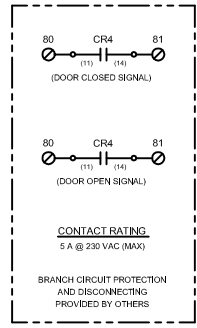
FUSE CHART	
FU1	TRM-3
FU3	TRM-5



OUTPUT KEY CODE
 Q1.0 - OPEN
 Q1.0 & Q1.2 - OPEN SLOW
 Q1.1 & Q1.2 - CLOSE
 Q1.1, Q1.2 & Q1.3 - CLOSE SLOW



- NOTES:**
- 1) ——— FACTORY WIRED
 - - - - - FIELD WIRED
 - 2) DEPENDING ON THE DESIRED FUNCTION OF THE ACTIVATION DEVICE, THE CONTACT LEADS ARE TO BE WIRED ACROSS L+ AND 50, 51, 52 OR 53.
 - 3) IF A DEVICE IS WIRED ACROSS L+ AND 61, IT WILL CAUSE THE DOOR TO REVERSE (OPEN), UNLESS THE DOOR IS ON THE CLOSED LIMIT. DOOR WILL OPEN WHEN L+ TO 61 IS OPENED.
 - 4) IF THE DOOR HAS DUAL PHOTOEYES, REMOVE THE JUMPER BETWEEN (11) AND (12) ON THE AMPLIFIER BASE.
 - 5) IF THE DOOR IS INTERLOCKED, REMOVE THE JUMPER BETWEEN L+ AND 63 AND WIRE IN THE INTERLOCK CONTACT(S). DOOR WILL OPERATE WHEN L+ TO 63 IS CLOSED.
 - 6) DOOR WILL OPERATE NORMALLY WHEN L+ TO 66 IS CLOSED AND IN THE FIRE MODE WHEN L+ TO 66 IS OPEN.



OUTPUT KEY CODE
 Q1.0 - OPEN
 Q1.0 & Q1.2 - OPEN SLOW
 Q1.1 & Q1.2 - CLOSE
 Q1.1, Q1.2 & Q1.3 - CLOSE SLOW

SHEET 2 OF 3

ASI DOORS, INC.
 5848 NORTH 95th COURT MILWAUKEE, WISCONSIN 53225

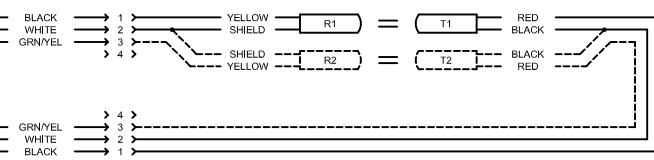
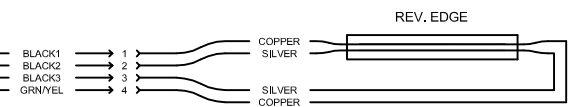
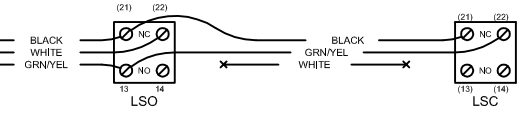
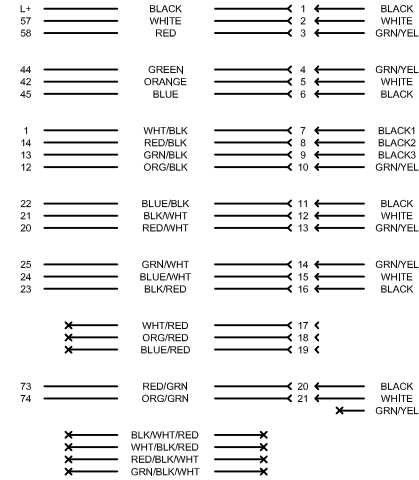
TITLE SCHEMATIC 115 VAC
DESCRIPTION CLEANSEAL SLIDING FIRE DOOR

TOLERANCES UNLESS OTHERWISE NOTED	ASI TECHNOLOGIES, INC. RESERVES PROPRIETARY RIGHTS TO THIS DRAWING AND THE DATA SHOWN THEREON. SAID DRAWING AND/OR DATA ARE CONFIDENTIAL AND ARE NOT TO BE USED OR REPRODUCED FOR ANY PURPOSE WITHOUT WRITTEN CONSENT OF ASI TECHNOLOGIES, INC.
X.X ±.08	X.XX ±.03
Ø DIA. FINISH ±.005	ANGLES ±.1°
OWN BY: ECR # 3184	DATE: 1/14/19
WBY # 3184	SCALE: 1=1
REV CHG#	DATE
BY	REVISION
NEXT ASML	SCALE
MULTIPLE	1=1
EXP. NO.	DRAWING NO. 18D340
	REV. NO. B

B	3234	12/04/19	KWG	CHANGED TEXT FOR POT #1, DOOR OPEN, & DOOR CLOSED CIRCUIT DETAIL ON PAGE 2
A	3184	1/30/19	WBY	INITIAL RELEASE
REV	CHG#	DATE	BY	REVISION

TERMINAL BLOCK NUMBER

HEADER CONNECTOR PIN NUMBER



SHEET 3 OF 3

ASI DOORS, INC.
 5848 NORTH 95th COURT MILWAUKEE, WISCONSIN 53225

TITLE: LAYOUT, HARNES, 115 VAC
 CLEANSEAL SLIDING FIRE DOOR

TOLERANCES UNLESS OTHERWISE NOTED	ASI TECHNOLOGIES, INC. RESERVES PROPRIETARY RIGHTS TO THIS DRAWING AND THE DATA SHOWN THEREON. SAID DRAWING AND/OR DATA ARE CONFIDENTIAL AND ARE NOT TO BE USED OR REPRODUCED FOR ANY PURPOSE WITHOUT WRITTEN CONSENT OF ASI TECHNOLOGIES, INC.
X.X ±.08 X.XX ±.03 X.XXX ±.010 DIA./RADIUS ±.005 ANGLES ±.1	NO AND THE DATA SHOWN THEREON. SAID DRAWING AND/OR DATA ARE CONFIDENTIAL AND ARE NOT TO BE USED OR REPRODUCED FOR ANY PURPOSE WITHOUT WRITTEN CONSENT OF ASI TECHNOLOGIES, INC.
DRN BY: EGR # 3184 DATE: 1/14/19	EXP. NO. DRAWING NO. 18D340 REV. NO. B

B	3234	12/04/19	KWG	CHANGED TEXT FOR POT #1, DOOR OPEN, & DOOR CLOSED CIRCUIT DETAIL ON PAGE 2
A	3184	1/30/19	WBW	INITIAL RELEASE
REV	CHG#	DATE	BY	REVISION