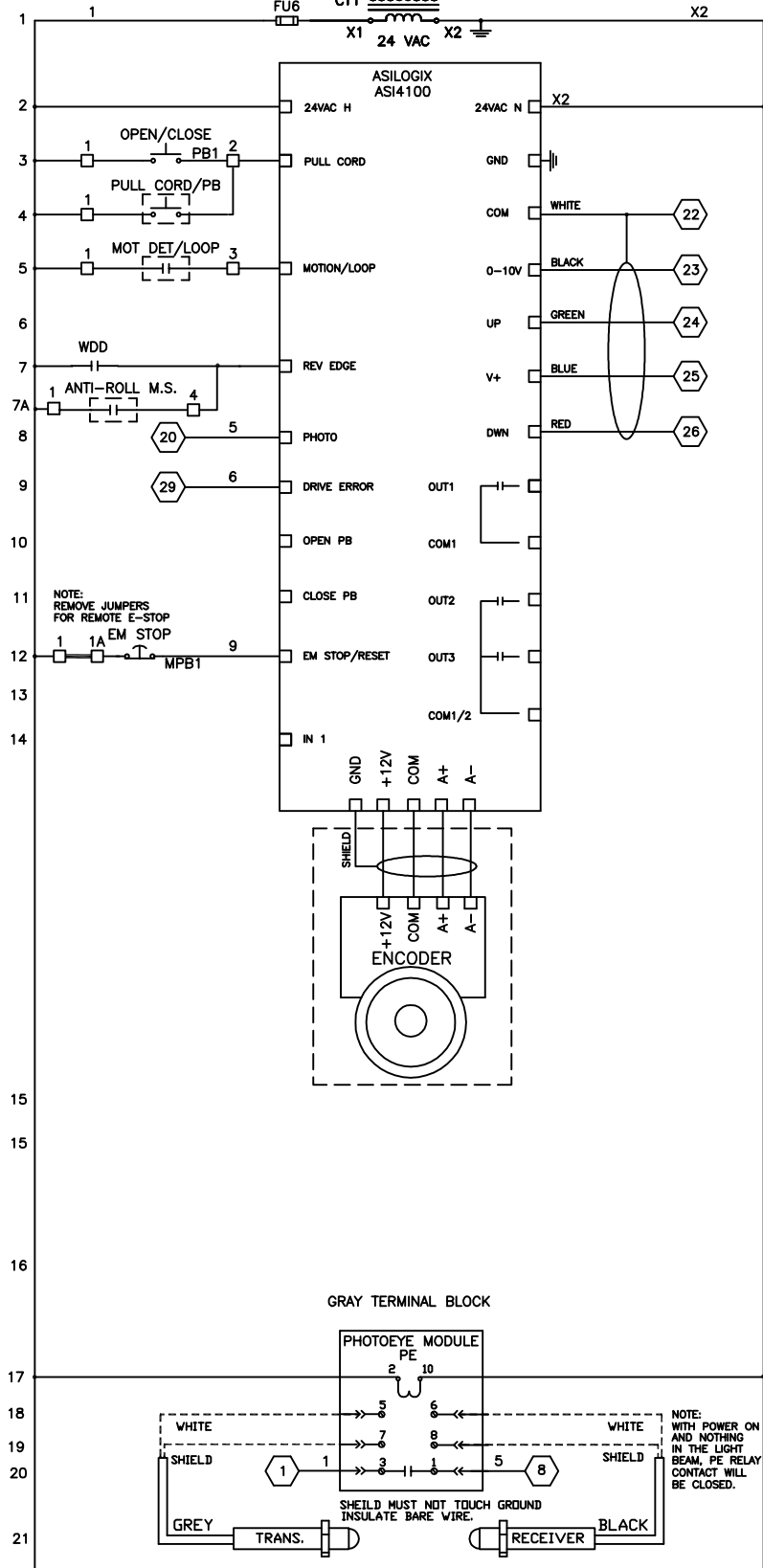


115V, 1PH, 60HZ  
13.92A TOTAL LOAD

FUSED DISCONNECT BY OTHERS IS REQUIRED SEE MOTOR TABLE FOR FUSE SIZE

INCOMING LINE MUST MEET THE REQUIREMENTS OF NATIONAL ELECTRICAL CODE ARTICLE 430-53.

MOTOR DATA 1 HP (0.75 KW)		
VOLT	FLA	RECOMMENDED FUSE
208	3.87	15 AMP
230	3.5	15 AMP



**SEQUENCE OF OPERATION FOR ASILOGIX**

**PULL CORD/PB, FRONT PANEL PB**  
**AUTO CLOSE OPTION - OFF**  
 A momentary connection while the door is closed, closing or stopped between limits will open the door to the full open position. A momentary connection while the door is in the full open position will close the door to the full closed position.

**AUTO CLOSE OPTION - ON**  
 A momentary connection while the door is closed, closing or stopped between limits will open the door to the full open position; the MC Delay Timer will count down from the preset value to zero, at which time the door will close to the full closed position. The MC Delay Timer will reset, if another momentary connection is made while the timer is counting down. If the door is stopped at the full open position, a momentary connection will close the door to the full closed position.

**MOTION/LOOP**  
 A maintained connection while the door is closed, closing or stopped between limits will open the door to the full open position. The door will stay open as long as the maintained connection is present. When the connection is removed, the AC Delay Timer counts down from the preset value to zero, at which time the door closes to the full closed position. The AC Delay Timer will reset if a maintained connection is again made while the counter is counting down.

**PHOTOCELL**  
 A momentary loss of this connection while the door is closing will immediately reverse the door motion and open the door to the full open position. If the door was originally activated by a non-automatic activator, it will stay at the open position until closed by a non-automatic activator. If the door was originally activated by an automatic activator, the door will automatically close after the preset time delay for the activator used. This input is inactive while the door is below the PhotoCell deactivation preset and while the door is in the full closed position.

**REVERSING EDGE**  
 A momentary loss of this connection while the door is closing will immediately reverse the door motion and open the door to the full open position. AC Delay Timer will count down from the preset value to zero, at which time the door will close to the full closed position.

**DRIVE ERROR**  
 When the VFD Variable Frequency Drive goes into a fault condition, message "Driver Error" will appear in the display and the drive error input LED will illuminate. Cycle the main power to reset the VFD and the ASIlogix.

**OPEN PB**  
 A momentary connection while the door is closed, closing or stopped between limits will open the door to the full open position.

**CLOSE PB**  
 A momentary connection while the door is open or stopped between limits will close the door to the full closed position.

**STOP PB**  
 A momentary activation will stop the door from moving, but only when the door has been started by the Open or Close inputs.

**E-STOP**  
 Activation will cease all ASIlogix activity. The message Release E-Stop will appear in the display and the E-Stop input LED will illuminate. Deactivation of E-Stop button will automatically reset all operations.

**ELECTRICAL SPECIFICATION**

- 1 ALL WIRING TO BE 600 VOLT RATED, STRANDED COPPER, TYPE MTW.
- 2 POWER WIRING TO BE BLACK, 14 GA.
- 3 AC CONTROL WIRING TO BE RED OR WHITE, TWISTED 16 GA OR SHIELDED WIRE.
- 4 DC CONTROL WIRING TO BE BLUE, 16 GA.
- 5 ENCLOSURE SHALL HAVE NEMA 4/12 RATING UNLESS OTHERWISE INDICATED UNDER OPTIONS.

**FIELD WIRING**

- 1 FUSED DISCONNECT TO BE PROVIDED BY OTHERS. FUSES TO BE OF TIME DELAY TYPE WITH MAXIMUM RATING AS INDICATED IN FUSE CHART.
- 2 ALL FIELD WIRING TO BE MINIMUM 14 GA, 60 C, COPPER, STRANDED & 600 VOLT RATED.
- 3 TERMINAL BLOCKS TO BE TIGHTENED TO MAX.:  
4.4 IN-LBS FOR SMALL  
7.1 IN-LBS FOR LARGE
- 4 ALL DC WIRING SHOULD BE IN SEPERATE CONDUIT OR USE SHIELDED CABLE
- 5 CONDUIT HUBS MUST BE OF THE SAME ENVIRONMENTAL (TYPE) RATING AS THE ENCLOSURE.

MOTOR VOLTAGE	REMOTE OPTIONS	STANDARD OPTIONS
230V, 3PH, 60HZ	PULL CORD(S)	FLOOR LOOP
	PUSHBUTTON(S)	RADIO RECEIVER
	MOTION DET.	NEMA 4X PLASTIC
	PHOTOEYE(S)	1 PHOTOEYE
	RADIO CONTROL	WDD

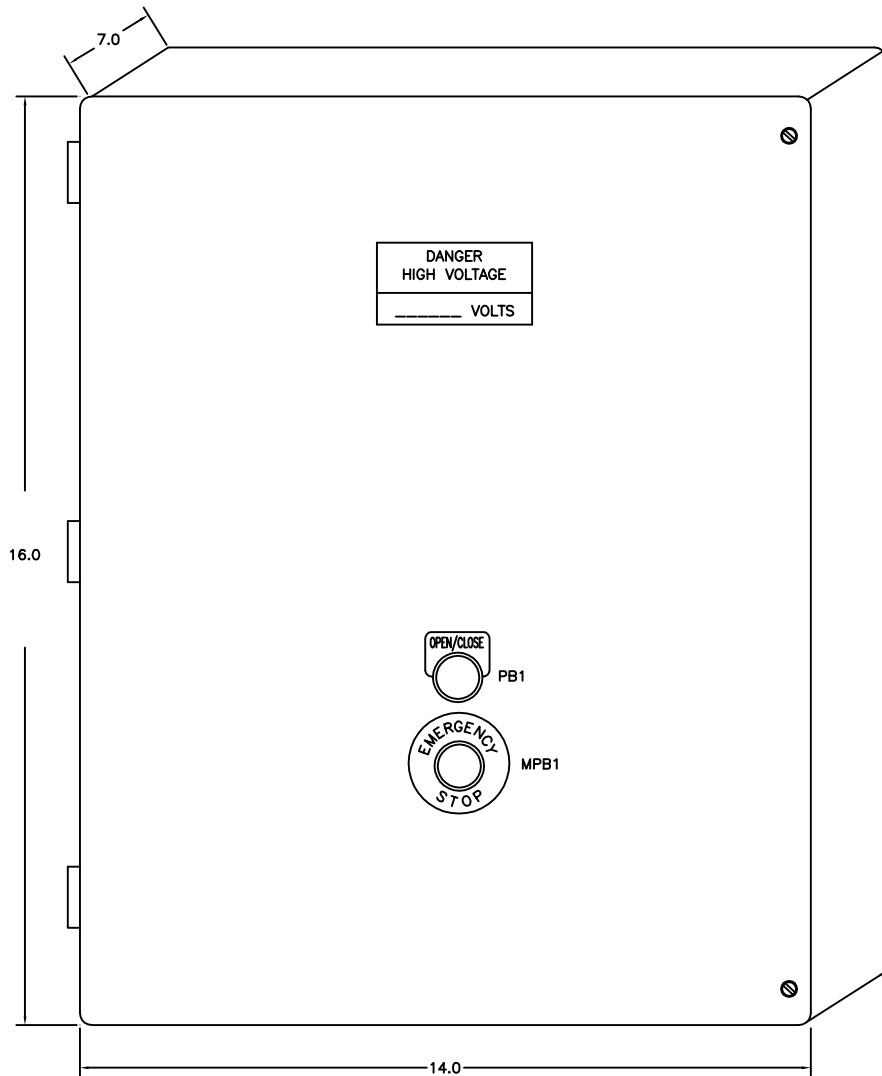
MOTOR SIZE	SERVICE VOLTAGE
1 HORSEPOWER	115V, 1PH, 60HZ
2 HORSEPOWER	208V, 1PH, 60HZ
3 HORSEPOWER	230V, 1PH, 60HZ

SHEET 1 OF 2

**ASI DOORS, INC.**  
 5848 NORTH 95th COURT MILWAUKEE, WISCONSIN 53225  
 TITLE ASSEMBLY, CONTROL PANEL, ISO-ROLL  
 115/208/230 VOLT, 1 PH, 60 HZ, #E163100P1/P2

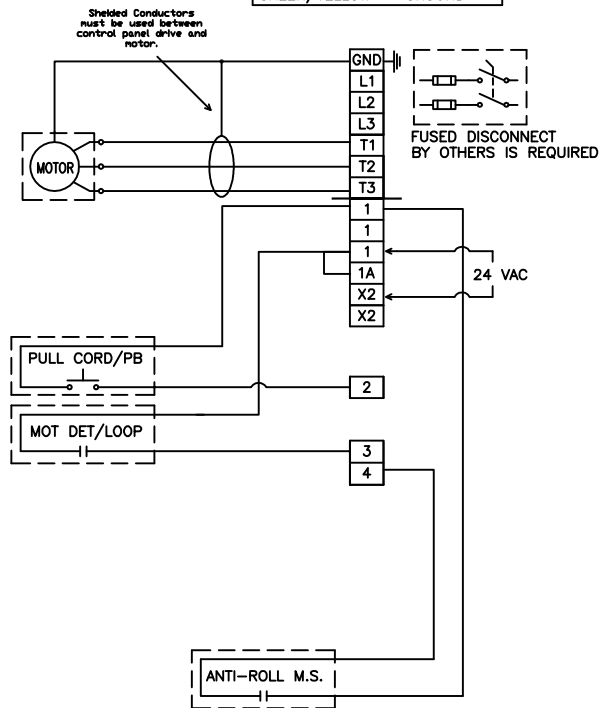
TOLERANCES UNLESS OTHERWISE NOTED X.X ±.04 X.XX ±.03 X.XXX ±.010 IN./FRACIONS ±.005 ANGLES ±.1°	ASI DOORS, INC. RESERVES PROPRIETARY RIGHTS TO THIS DRAWING AND THE DATA SHOWN THEREON. SAID DRAWING AND/OR DATA ARE CONFIDENTIAL AND ARE NOT TO BE USED OR REPRODUCED FOR ANY PURPOSE WITHOUT WRITTEN CONSENT OF ASI DOORS, INC.
DRW BY: ECR # DATE: 08/18/08	EXP. NO. DRAWING NO. REV. NO.
SCALE: 1=1	ASI 085278 18D282

A	01	08/29/08	BAM	Enclosure size was 14x12x6
REV	CHG#	DATE	BY	REVISION

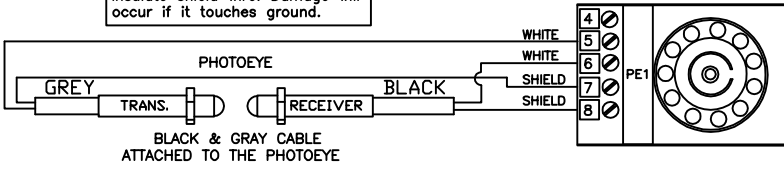


**TERMINAL BLOCKS**

BLACK	- POWER
RED	- AC CONTROL
BLUE	- DC CONTROL
BEIGE	- FLOOR LOOP
GREEN/YELLOW	- GROUND



Note: Insulate shield wire. Damage will occur if it touches ground.



BLACK & GRAY CABLE ATTACHED TO THE PHOTOEYE

Note: Connect PE wire direct to the gray base.

QTY	ITEM	MFG	CATALOG NO	DESCRIPTION	
1	ASILOGIX	BTR	ASI4100	DOOR CONTROLLER, 24 VAC	
1	VFD	SQD	ATV31H075M2	VARIABLE SPEED CONTROLLER, 1 HP, 200-240V	
1	PHOTOEYE	CAGA REL	S 1420 156 024 CB 11	24VAC INFRARED RELAY SENSOR 11 PIN TUBULAR SOCKET FOR PE	
1	MPB1	AB	800FP-MT44/800F-ALP-BP 800F-X01	EM-ETOP PUSH/PLASTIC LATCH CONTACT LATCH, 1 NC	
1	PB1	AB	800FP-F2/800F-ALP-BP 800F-X10	PUSHBUTTON BLACK/PLASTIC LATCH CONTACT LATCH, 1NO	
1	CT1	MCRN	B050-0237-8F	CONTROL XFMR, 50 VA, 208/230/460-24 V	
1	EA	FU4/5	FRZ	ATQR 1/2	FUSE, 600 VOLT, CLASS CC, OR EQUIV.
1	FU6	FRZ	TRM 2	FUSE, 2 AMP, 250 VOLT, CLASS M, OR EQUIV.	
6	TB	AB	1492-J4-BL	TERMINAL BLOCK, 35 AMP, BLACK	
9	TB	AB	1492-J4-RE	TERMINAL BLOCK, 35 AMP, RED	
1	TB	AB	1492-JG4	TERMINAL BLOCK, GROUND	
16	END ANCHOR	AB	1492-EAJ35	END ANCHOR FOR TERMINAL BLOCK	

**OPTIONS**

QTY	ITEM	MFG	CATALOG NO	DESCRIPTION
1	WDD	DY	WDD-D1	WIRELESS DECODER

**INSTALLATION CHECK LIST - ASIENCODER**

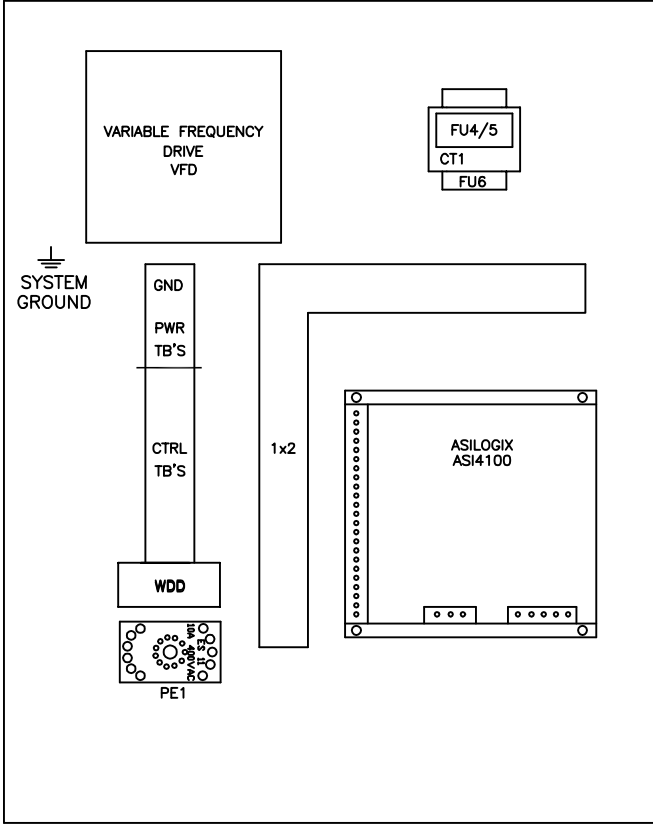
- BEFORE APPLYING POWER**
1. Connect the encoder to terminals GND, +12V, A+, A- with shielded cable as shown.
  2. Connect photoeye transmitter (shielded wire) direct to socket, as shown.
  3. Connect photoeye receiver (shielded wire) direct to socket, as shown.
  4. Connect the motor leads to terminals T1, T2 & T3 with shielded cable as shown.
  5. Connect power to L1 & L2 to terminal blocks (main disconnect by others).

**Programming Instructions**  
ASILOGIX - ASI4000

- TURN POWER ON**
- When power is applied to the ASILOGIX, there will be a slight pause until communications is established with the encoder.
1. The message "SetLimit(s)" will appear in the display.
  2. Press both the UP and Down arrow keys together for 3 seconds. The menu item "LimitSet" will appear in the display.
  3. Press "Enter" to go to the limit menu.
  4. Press enter - Display will show "JogCls"/"Enter". Use the Jog Up or the Jog Down buttons to position the door at the desired close position. when at the selected position - Press "Enter". Use the Up and Down arrows to scroll to the "Oplimit" and follow the same procedure to set the open position. Use the Up and Down arrows to select the "Phtlimit" or "Paslimit" if required.

Note: The closed limit must be set first. As all other positions are relative to this setting. If the close limit is reset to a new position after setting the other positions, reset the other positions.

- TEST THE DOOR**
1. After the door is found to be operating properly, adjust the Open and Close Run Timers to a few seconds longer than the actual operating time of the door.



**ELECTRICAL SPECIFICATION**

- 1 ALL WIRING TO BE 600 VOLT RATED, STRANDED COPPER, TYPE MTW.
- 2 POWER WIRING TO BE BLACK, 14 GA.
- 3 AC CONTROL WIRING TO BE RED OR WHITE, TWISTED 16 GA OR SHIELDED WIRE.
- 4 DC CONTROL WIRING TO BE BLUE, 16 GA.
- 5 ENCLOSURE SHALL HAVE NEMA 4/12 RATING UNLESS OTHERWISE INDICATED UNDER OPTIONS.

**FIELD WIRING**

- 1 FUSED DISCONNECT TO BE PROVIDED BY OTHERS FUSES TO BE OF TIME DELAY TYPE WITH MAXIMUM RATING AS INDICATED IN FUSE CHART.
- 2 ALL FIELD WIRING TO BE MINIMUM 14 GA, 60 C, COPPER, STRANDED & 600 VOLT RATED.
- 3 TERMINAL BLOCKS TO BE TIGHTENED TO MAX.:  
4.4 IN-LBS FOR SMALL  
7.1 IN-LBS FOR LARGE
- 4 ALL DC WIRING SHOULD BE IN SEPERATE CONDUIT OR USE SHIELDED CABLE
- 5 CONDUIT HUBS MUST BE OF THE SAME ENVIRONMENTAL (TYPE) RATING AS THE ENCLOSURE.

MOTOR VOLTAGE	SERVICE VOLTAGE	MOTOR SIZE	REMOTE OPTIONS	STANDARD OPTIONS
230V, 3PH, 60HZ	115V, 1PH, 60HZ	<input checked="" type="checkbox"/> 1 HORSEPOWER	PULL CORD(S)	FLOOR LOOP
	208V, 1PH, 60HZ	<input type="checkbox"/> 2 HORSEPOWER	PUSHBUTTON(S)	RADIO RECEIVER
	230V, 1PH, 60HZ	<input type="checkbox"/> 3 HORSEPOWER	MOTION DET.	<input checked="" type="checkbox"/> NEMA 4X PLASTIC
			PHOTOEYE(S)	<input checked="" type="checkbox"/> 1 PHOTOEYE
			RADIO CONTROL	<input checked="" type="checkbox"/> WDD

SHEET 2 OF 2

**ASI DOORS, INC.**  
5848 NORTH 95th COURT MILWAUKEE, WISCONSIN 53225

ASSEMBLY, CONTROL PANEL, ISO-ROLL  
115/208/230 VOLT, 1 PH, 60 HZ, #E163100P1/P2

ASI DOORS, INC. RESERVES PROPRIETARY RIGHTS TO THIS DRAWING AND THE DATA SHOWN THEREON. SAID DRAWING AND/OR DATA ARE CONFIDENTIAL AND ARE NOT TO BE USED OR REPRODUCED FOR ANY PURPOSE WITHOUT WRITTEN CONSENT OF ASI DOORS, INC.

TOLERANCES UNLESS OTHERWISE NOTED:  
X.X ±.08 X.XX ±.03 X.XXX ±.010  
DIA./RADIUS ±.005 ANGLES ±1°

OWN BY: ECR # DATE: 08/18/08 EXP. NO. DRAWING NO. REV NO.  
REV: CHG# DATE BY REVISION NEXT ASL SCALE: 1=1 ASI 085278 18D282

A	01	08/29/08	BAM	Enclosure size was 14x12x6
REV	CHG#	DATE	BY	REVISION