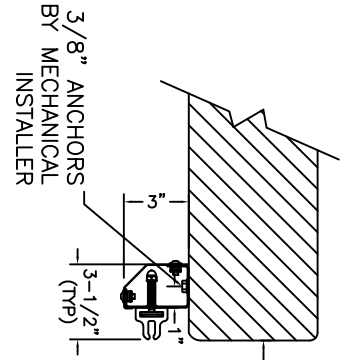
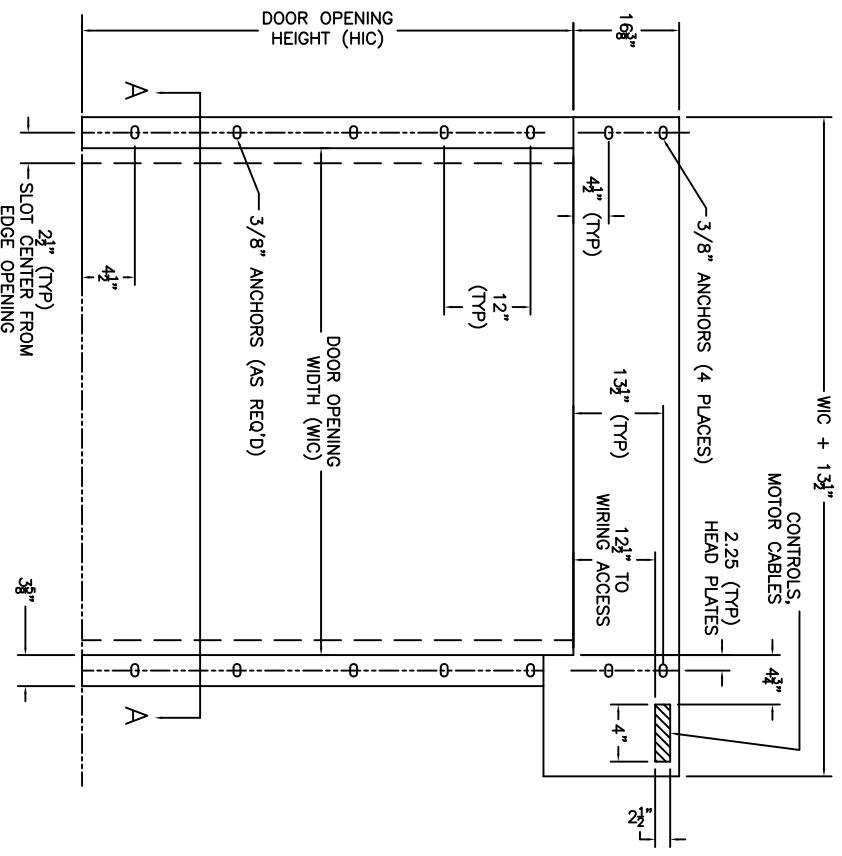
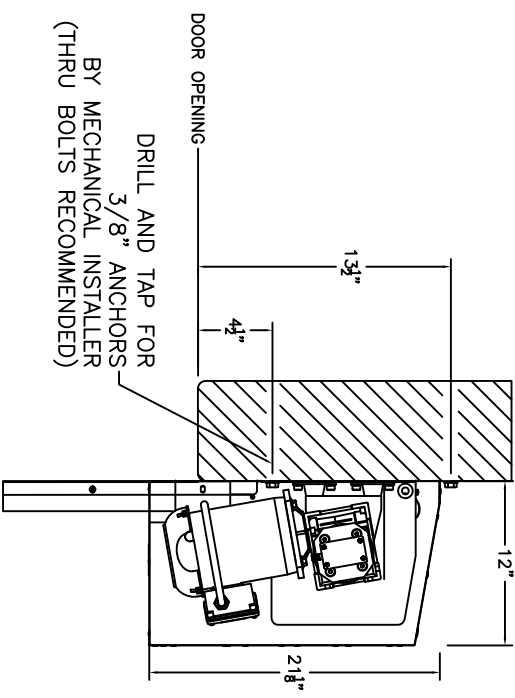


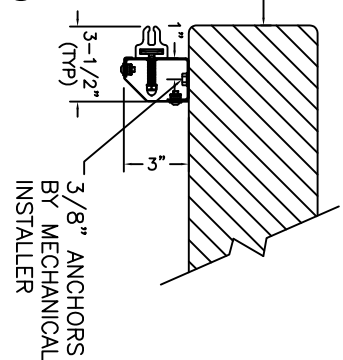
**NOTICE:**  
 DUE TO A VARIETY OF WALL SURFACES, STUD MATERIALS AND CONSTRUCTION, AND VARIOUS CONCRETE/BLOCK WALL AND FLOOR DESIGNS, ANY MOUNTING AND SUPPORT COMPONENTS REPRESENTED HERE BY ASI ARE FOR REVIEW PURPOSES ONLY. ANY AND ALL STRUCTURAL COMPONENT DESIGN, SELECTION AND SPECIFICATION IS THE SOLE RESPONSIBILITY OF ARCHITECTURAL/STRUCTURAL ENGINEERING FIRMS APPROVED BY THE END USER.

DOOR ASSEMBLY WEIGHTS SUPPORTED BY TOP 2 HOLES ON EACH SIDE OF HEADER:  
 DOOR WIDTH (IN FEET) x 35 + 100 I.E. 8' WIDE DOOR: (8 x 35) + 100 = 380 LB

**HEADER & SHROUD ASSEMBLY  
 (SIDE VIEW)**



3/8" ANCHORS  
 BY MECHANICAL  
 INSTALLER  
 SECT A-A PLAN VIEW  
 (SIDE FRAME MOUNT DETAIL)



3/8" ANCHORS  
 BY MECHANICAL  
 INSTALLER

**APPROVALS**  
 FABRICATION CAN PROCEED ACCORDING TO THE SPECIFICATION SHOWN EXCEPT AS NOTED.  
 BY \_\_\_\_\_ DATE \_\_\_\_\_

ASI JOB NUMBER:  
 CUSTOMER ORDER NUMBER:  
 SOLD TO:  
 SHIP TO:

QUANTITY OF DOORS:  
 QUANTITY OF PRINTS:  
 DOOR ASSEMBLY NO.:  
 ELECTRICAL DRAWING NO.:

5848 North 95th Court  
 Milwaukee, WI 53225  
 1-800-558-7068  
 www.asidoors.com

**ASIDOORS**  
 MOUNTING DETAIL, 215 FABRIC  
 ROLL-UP, RH DRIVE  
 DRAWING NO. 29B0239RH  
 SHEET 1 OF 1  
 DATE 5-15-19  
 REV. A